

Connector TN - with cable gland, with bayonet cover

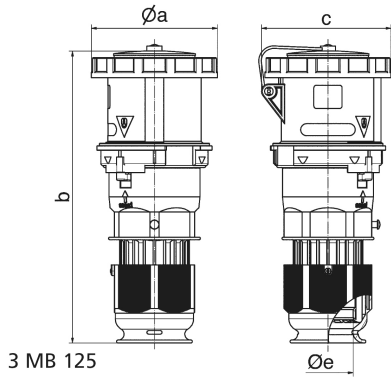


Product description	
BALS-Prd.-Nr	310058
EAN	4024941101387
Product category	Connector TN
Current	63A
Number of poles	3p
Poles	2P+PE
Position of earth contact	6 h
Voltage	200 up to 250V
Frequency	50 and 60Hz

Product description	
VG-Type-No.:	VG 96919 DS 047
Supplynumber:	5935-12-366-3252
Protection degree	IP67
Colour code	bronze-green RAL 6031-F9
Colour of appliance	Pusher black RAL 9005, Cable gland bronze-green RAL 6031-F9, Bayonet ring bronze-green RAL 6031-F9, Housing cover bronze-green RAL 6031-F9, Collar bronze-green RAL 6031-F9, Hinged lid bronze-green RAL 6031-F9
Connection design	screw terminal as box terminal with Kontex-contact
Maximum conductor size	16,0 qmm
Cable entry	Cable gland
Height	256mm
Width	111mm
Depth	115mm
Material of enclosure	Polyamide
Contact	The contact carrier is made of high temperature resistant material, the contacts are brass nickel plated

Additional technical properties	
	with pilot contact
	For cable diameter from 16 up to max. 36 mm, Screwless housing connection, Multi-Grip cable gland with gasket, integrated cable clamp and additional water evacuation openings
	With bayonet cover on strap

Logistics data	
Weight/pcs	0.76 kg / Piece
Packaging	Bag
Content amount	1 ST
EAN	4024941101387
Length	115 mm
Width	111 mm
Height	256 mm
Weight	0.761 kg
Volume	3,267.84 ccm
Packaging	Carton
Content amount	5 ST
EAN	4024941946513
Length	325 mm
Width	217 mm
Height	210 mm
Weight	4.006 kg
Volume	13,588.4 ccm



Ampere	63	63	63	125	125	125
Polzahl	3	4	5	3	4	5
a ø	110,0	110,0	110,0	125,0	125,0	125,0
b	263,0	263,0	263,0	300,0	300,0	300,0
c	113,0	113,0	113,0	128,0	128,0	128,0
d ø	36,0	36,0	36,0	50,0	50,0	50,0
Leiter mm ² min	6,0	6,0	6,0	16,0	16,0	16,0
Leiter mm ² max	16,0	16,0	16,0	50,0	50,0	50,0