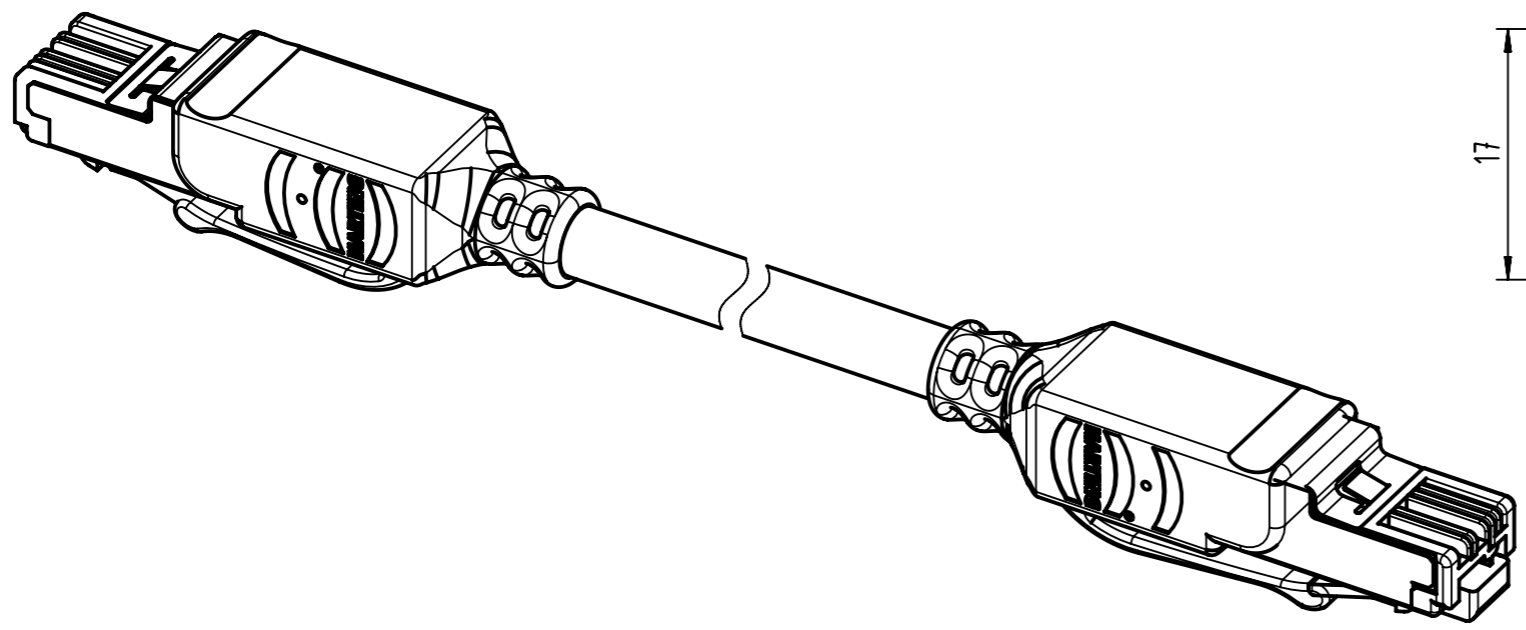
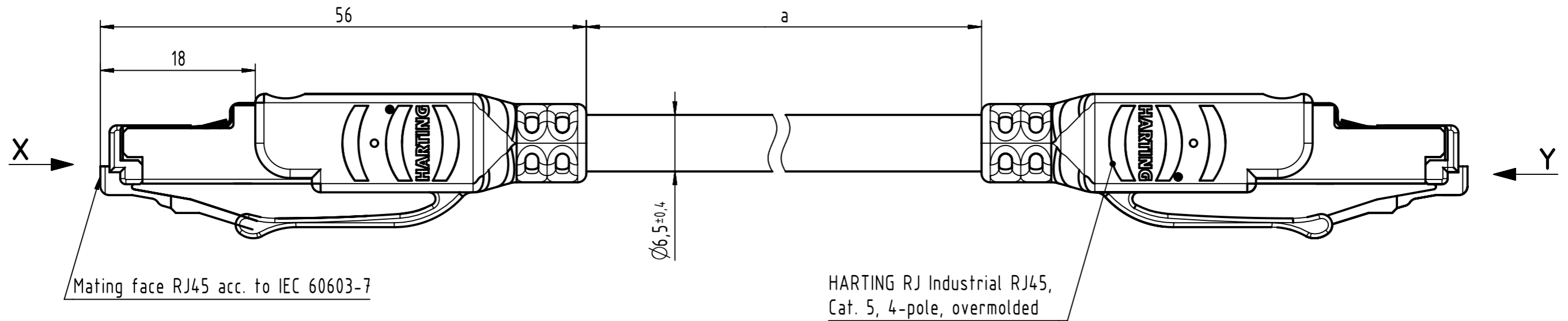


Connector Location A

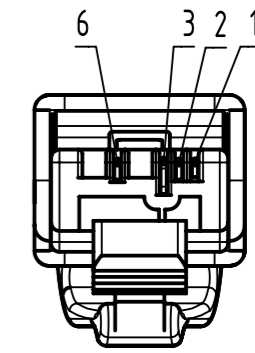
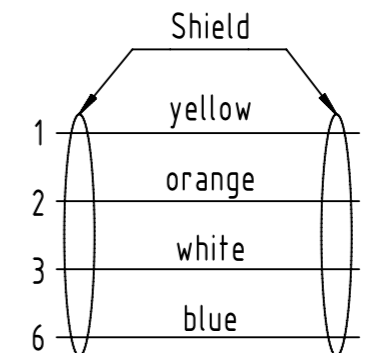
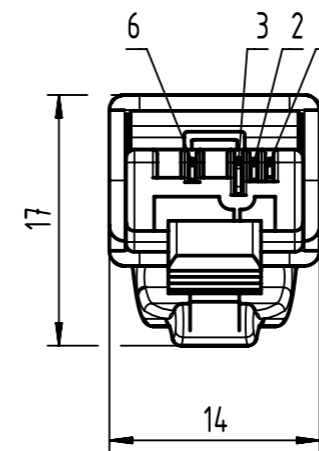
Connector Location B



X male

Y male

Loading Plan



- Protection level: IP20
- Temperature range: -30°C ... +70°C


NOTE:

- * For lengths < 1.0m:
- relative positioning of the connectors to each other will be as presented in the drawing, however with an admissible angular deviation around cable axis of $\pm 30^\circ$
- * For lengths $\geq 1.0m$:
- relative positioning of the connectors to each other not obligatory

All Dimensions in mm		Tech. Character.		Free size tol.		According to production drawing	
All rights reserved Department HCS - GPM		Created by BANIUD Banciu	Inspected by COSTEA Costea	Standardisation BANIUD Banciu	Date 2025-03-26	State Final Release	
HARTING Customised Solutions D-32339 Espelkamp		Title RJ Industrial PROFINET cable assembly				Doc-Key / ECM-Nr. 100081054/UGD/051/J 500000282380	
		Type TB	Number 0945771XXXX		Rev. J	Page 1/3	

1	2	3	4	5	6	7	8																																																																																																			
				<table border="1"> <thead> <tr> <th>Cont. no.</th> <th>Part no.</th> <th>Type of cable</th> <th>Dim. a[m]</th> </tr> </thead> <tbody> <tr><td>52</td><td>09457711161</td><td rowspan="16">HAR PROFINET Typ B 4xAWG 22/7 PVC green</td><td>100 ±1</td></tr> <tr><td>51</td><td>09457711160</td><td>90 ±0.9</td></tr> <tr><td>50</td><td>09457711159</td><td>80 ±0.8</td></tr> <tr><td>49</td><td>09457711158</td><td>70 ±0.7</td></tr> <tr><td>48</td><td>09457711157</td><td>60 ±0.6</td></tr> <tr><td>47</td><td>09457711156</td><td>50 ±0.5</td></tr> <tr><td>46</td><td>09457711155</td><td>40 ±0.4</td></tr> <tr><td>45</td><td>09457711154</td><td>30 ±0.3</td></tr> <tr><td>44</td><td>09457711153</td><td>20 ±0.2</td></tr> <tr><td>43</td><td>09457711152</td><td>15 ±0.15</td></tr> <tr><td>42</td><td>09457711132</td><td>13 ±0.13</td></tr> <tr><td>41</td><td>09457711151</td><td>10 ±0.1</td></tr> <tr><td>40</td><td>09457711131</td><td>9 ±0.09</td></tr> <tr><td>39</td><td>09457711130</td><td>8 ±0.08</td></tr> <tr><td>38</td><td>09457711129</td><td>7 ±0.07</td></tr> <tr><td>37</td><td>09457711128</td><td>6 ±0.06</td></tr> <tr><td>36</td><td>09457711127</td><td>5 ±0.05</td></tr> <tr><td>35</td><td>09457711136</td><td>4.5 ±0.045</td></tr> <tr><td>34</td><td>09457711126</td><td>4 ±0.04</td></tr> <tr><td>33</td><td>09457711135</td><td>3.5 ±0.035</td></tr> <tr><td>32</td><td>09457711125</td><td>3 ±0.03</td></tr> <tr><td>31</td><td>09457711140</td><td>2.2 ±0.022</td></tr> <tr><td>30</td><td>09457711124</td><td>2 ±0.02</td></tr> <tr><td>29</td><td>09457711139</td><td>1.8 ±0.018</td></tr> <tr><td>28</td><td>09457711123</td><td>1.5 ±0.015</td></tr> <tr><td>27</td><td>09457711122</td><td>1 ±0.01</td></tr> <tr><td>26</td><td>09457711138</td><td>0.9 ±0.01</td></tr> <tr><td>25</td><td>09457711121</td><td>0.5 ±0.01</td></tr> <tr><td>24</td><td>09457711134</td><td>0.3 ±0.01</td></tr> <tr><td>23</td><td>09457711137</td><td>0.15 ±0.01</td></tr> <tr> <th>Cont. no.</th> <th>Part no.</th> <th>Type of cable</th> <th>Dim. a[m]</th> </tr> </tbody> </table>				Cont. no.	Part no.	Type of cable	Dim. a[m]	52	09457711161	HAR PROFINET Typ B 4xAWG 22/7 PVC green	100 ±1	51	09457711160	90 ±0.9	50	09457711159	80 ±0.8	49	09457711158	70 ±0.7	48	09457711157	60 ±0.6	47	09457711156	50 ±0.5	46	09457711155	40 ±0.4	45	09457711154	30 ±0.3	44	09457711153	20 ±0.2	43	09457711152	15 ±0.15	42	09457711132	13 ±0.13	41	09457711151	10 ±0.1	40	09457711131	9 ±0.09	39	09457711130	8 ±0.08	38	09457711129	7 ±0.07	37	09457711128	6 ±0.06	36	09457711127	5 ±0.05	35	09457711136	4.5 ±0.045	34	09457711126	4 ±0.04	33	09457711135	3.5 ±0.035	32	09457711125	3 ±0.03	31	09457711140	2.2 ±0.022	30	09457711124	2 ±0.02	29	09457711139	1.8 ±0.018	28	09457711123	1.5 ±0.015	27	09457711122	1 ±0.01	26	09457711138	0.9 ±0.01	25	09457711121	0.5 ±0.01	24	09457711134	0.3 ±0.01	23	09457711137	0.15 ±0.01	Cont. no.	Part no.	Type of cable	Dim. a[m]
Cont. no.	Part no.	Type of cable	Dim. a[m]																																																																																																							
52	09457711161	HAR PROFINET Typ B 4xAWG 22/7 PVC green	100 ±1																																																																																																							
51	09457711160		90 ±0.9																																																																																																							
50	09457711159		80 ±0.8																																																																																																							
49	09457711158		70 ±0.7																																																																																																							
48	09457711157		60 ±0.6																																																																																																							
47	09457711156		50 ±0.5																																																																																																							
46	09457711155		40 ±0.4																																																																																																							
45	09457711154		30 ±0.3																																																																																																							
44	09457711153		20 ±0.2																																																																																																							
43	09457711152		15 ±0.15																																																																																																							
42	09457711132		13 ±0.13																																																																																																							
41	09457711151		10 ±0.1																																																																																																							
40	09457711131		9 ±0.09																																																																																																							
39	09457711130		8 ±0.08																																																																																																							
38	09457711129		7 ±0.07																																																																																																							
37	09457711128		6 ±0.06																																																																																																							
36	09457711127	5 ±0.05																																																																																																								
35	09457711136	4.5 ±0.045																																																																																																								
34	09457711126	4 ±0.04																																																																																																								
33	09457711135	3.5 ±0.035																																																																																																								
32	09457711125	3 ±0.03																																																																																																								
31	09457711140	2.2 ±0.022																																																																																																								
30	09457711124	2 ±0.02																																																																																																								
29	09457711139	1.8 ±0.018																																																																																																								
28	09457711123	1.5 ±0.015																																																																																																								
27	09457711122	1 ±0.01																																																																																																								
26	09457711138	0.9 ±0.01																																																																																																								
25	09457711121	0.5 ±0.01																																																																																																								
24	09457711134	0.3 ±0.01																																																																																																								
23	09457711137	0.15 ±0.01																																																																																																								
Cont. no.	Part no.	Type of cable	Dim. a[m]																																																																																																							
<table border="1"> <thead> <tr> <th>Cont. no.</th> <th>Part no.</th> <th>Type of cable</th> <th>Dim. a[m]</th> </tr> </thead> <tbody> <tr><td>22</td><td>09457710061</td><td rowspan="16">HAR PROFINET Typ A 4xAWG 22/1 PVC green</td><td>100 ±1</td></tr> <tr><td>21</td><td>09457710060</td><td>90 ±0.9</td></tr> <tr><td>20</td><td>09457710059</td><td>80 ±0.8</td></tr> <tr><td>19</td><td>09457710058</td><td>70 ±0.7</td></tr> <tr><td>18</td><td>09457710057</td><td>60 ±0.6</td></tr> <tr><td>17</td><td>09457710056</td><td>50 ±0.5</td></tr> <tr><td>16</td><td>09457710055</td><td>40 ±0.4</td></tr> <tr><td>15</td><td>09457710054</td><td>30 ±0.3</td></tr> <tr><td>14</td><td>09457710053</td><td>20 ±0.2</td></tr> <tr><td>13</td><td>09457710052</td><td>15 ±0.15</td></tr> <tr><td>12</td><td>09457710051</td><td>10 ±0.1</td></tr> <tr><td>11</td><td>09457710031</td><td>9 ±0.09</td></tr> <tr><td>10</td><td>09457710030</td><td>8 ±0.08</td></tr> <tr><td>9</td><td>09457710029</td><td>7 ±0.07</td></tr> <tr><td>8</td><td>09457710028</td><td>6 ±0.06</td></tr> <tr><td>7</td><td>09457710027</td><td>5 ±0.05</td></tr> <tr><td>6</td><td>09457710026</td><td>4 ±0.04</td></tr> <tr><td>5</td><td>09457710025</td><td>3 ±0.03</td></tr> <tr><td>4</td><td>09457710024</td><td>2 ±0.02</td></tr> <tr><td>3</td><td>09457710023</td><td>1.5 ±0.015</td></tr> <tr><td>2</td><td>09457710022</td><td>1 ±0.01</td></tr> <tr><td>1</td><td>09457710021</td><td>0.5 ±0.01</td></tr> <tr> <th>Cont. no.</th> <th>Part no.</th> <th>Type of cable</th> <th>Dim. a[m]</th> </tr> </tbody> </table>				Cont. no.	Part no.	Type of cable	Dim. a[m]	22	09457710061	HAR PROFINET Typ A 4xAWG 22/1 PVC green	100 ±1	21	09457710060	90 ±0.9	20	09457710059	80 ±0.8	19	09457710058	70 ±0.7	18	09457710057	60 ±0.6	17	09457710056	50 ±0.5	16	09457710055	40 ±0.4	15	09457710054	30 ±0.3	14	09457710053	20 ±0.2	13	09457710052	15 ±0.15	12	09457710051	10 ±0.1	11	09457710031	9 ±0.09	10	09457710030	8 ±0.08	9	09457710029	7 ±0.07	8	09457710028	6 ±0.06	7	09457710027	5 ±0.05	6	09457710026	4 ±0.04	5	09457710025	3 ±0.03	4	09457710024	2 ±0.02	3	09457710023	1.5 ±0.015	2	09457710022	1 ±0.01	1	09457710021	0.5 ±0.01	Cont. no.	Part no.	Type of cable	Dim. a[m]																												
Cont. no.	Part no.	Type of cable	Dim. a[m]																																																																																																							
22	09457710061	HAR PROFINET Typ A 4xAWG 22/1 PVC green	100 ±1																																																																																																							
21	09457710060		90 ±0.9																																																																																																							
20	09457710059		80 ±0.8																																																																																																							
19	09457710058		70 ±0.7																																																																																																							
18	09457710057		60 ±0.6																																																																																																							
17	09457710056		50 ±0.5																																																																																																							
16	09457710055		40 ±0.4																																																																																																							
15	09457710054		30 ±0.3																																																																																																							
14	09457710053		20 ±0.2																																																																																																							
13	09457710052		15 ±0.15																																																																																																							
12	09457710051		10 ±0.1																																																																																																							
11	09457710031		9 ±0.09																																																																																																							
10	09457710030		8 ±0.08																																																																																																							
9	09457710029		7 ±0.07																																																																																																							
8	09457710028		6 ±0.06																																																																																																							
7	09457710027		5 ±0.05																																																																																																							
6	09457710026	4 ±0.04																																																																																																								
5	09457710025	3 ±0.03																																																																																																								
4	09457710024	2 ±0.02																																																																																																								
3	09457710023	1.5 ±0.015																																																																																																								
2	09457710022	1 ±0.01																																																																																																								
1	09457710021	0.5 ±0.01																																																																																																								
Cont. no.	Part no.	Type of cable	Dim. a[m]																																																																																																							
				<table border="1"> <tr> <td rowspan="2"></td> <td>All rights reserved</td> <td>Created by BANCIUD Banciu</td> <td>Inspected by COSTEA Costea</td> <td>Standardisation BANCIUD Banciu</td> <td>Date 2025-03-26</td> <td>State Final Release</td> </tr> <tr> <td>Department HCS - GPM</td> <td colspan="3">Title RJ Industrial PROFINET cable assembly</td> <td colspan="2">Doc-Key / ECM-Nr. 100081054/JGD/051/J 50000282380</td> </tr> <tr> <td colspan="2">HARTING Customised Solutions D-32339 Espelkamp</td> <td>Type TB</td> <td>Number 0945771XXXX</td> <td>Rev. J</td> <td>Page 2/3</td> <td></td> </tr> </table>					All rights reserved	Created by BANCIUD Banciu	Inspected by COSTEA Costea	Standardisation BANCIUD Banciu	Date 2025-03-26	State Final Release	Department HCS - GPM	Title RJ Industrial PROFINET cable assembly			Doc-Key / ECM-Nr. 100081054/JGD/051/J 50000282380		HARTING Customised Solutions D-32339 Espelkamp		Type TB	Number 0945771XXXX	Rev. J	Page 2/3																																																																																
	All rights reserved	Created by BANCIUD Banciu	Inspected by COSTEA Costea	Standardisation BANCIUD Banciu	Date 2025-03-26	State Final Release																																																																																																				
	Department HCS - GPM	Title RJ Industrial PROFINET cable assembly			Doc-Key / ECM-Nr. 100081054/JGD/051/J 50000282380																																																																																																					
HARTING Customised Solutions D-32339 Espelkamp		Type TB	Number 0945771XXXX	Rev. J	Page 2/3																																																																																																					
				<table border="1"> <tr> <td></td> <td>All Dimensions in mm</td> <td>Tech. Character.</td> <td>Free size tol.</td> <td>According to production drawing</td> </tr> </table>					All Dimensions in mm	Tech. Character.	Free size tol.	According to production drawing																																																																																														
	All Dimensions in mm	Tech. Character.	Free size tol.	According to production drawing																																																																																																						

	1	2	3	4	5	6	7	8
A								
B	81	09457711183	HAR PROFINET Typ C 4xAWG 22/7 PUR Trail. green	100 ±1				
	80	09457711182		90 ±0.9				
	79	09457711181		80 ±0.8				
	78	09457711180		70 ±0.7				
	77	09457711179		60 ±0.6				
	76	09457711187		55 ±0.55				
	75	09457711178		50 ±0.5				
C	74	09457711177		40 ±0.4				
	73	09457711176		30 ±0.3				
	72	09457711175		20 ±0.2				
	71	09457711186		18 ±0.18				
	70	09457711174		15 ±0.15				
	69	09457711188		14 ±0.14				
	68	09457711189		12 ±0.12				
D	67	09457711173		10 ±0.1				
	66	09457711172		9 ±0.09				
	65	09457711171		8 ±0.08				
	64	09457711170		7 ±0.07				
	63	09457711169		6 ±0.06				
	62	09457711168		5 ±0.05				
	61	09457711167	4 ±0.04					
E	60	09457711166	3 ±0.03					
	59	09457711190	2.3 ±0.023					
	58	09457711165	2 ±0.02					
	57	09457711164	1.5 ±0.015					
	56	09457711163	1 ±0.01					
	55	09457711185	0.6 ±0.01					
	54	09457711162	0.5 ±0.01					
	53	09457711184	0.3 ±0.01					
F	Cont. no.	Part no.	Type of cable	Dim. a[m]				
	1	2	3	4	5	6	7	8

	All rights reserved		Created by BANCIUD Banciu		Inspected by COSTEA Costea		Standardisation BANCIUD Banciu		Date 2025-03-26		State Final Release		
	Department HCS - GPM		Title RJ Industrial PROFINET cable assembly										
HARTING Customised Solutions D-32339 Espelkamp			Type TB		Number 0945771XXXX					Doc-Key / ECM-Nr. 100081054/UGD/051/J 500000282380		Rev. J	Page 3/3