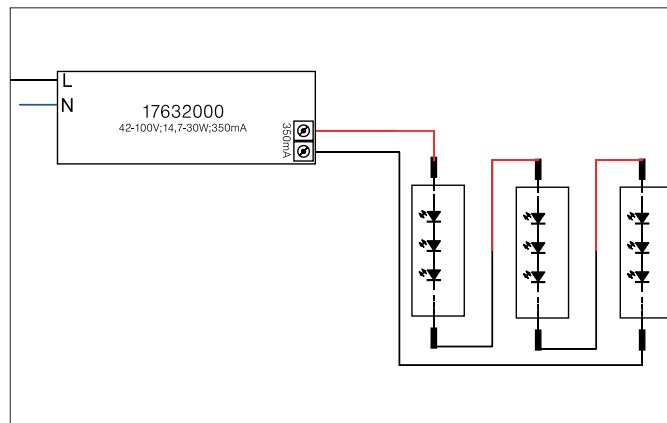


LED converter 350mA, on/off switchable

Article no. 17632000

Light.
For Generations.



Tender

LED converter 350mA, on/off. Lamp holder: Plug&Play, Material: Plastic, Degree of protection: according to DIN EN 60529 IP20, Protection class: (EN 61140) II, Current: 350 mA, Voltage: 230V AC 50Hz, Power: 30W, Control: on/off.

Article data	
Article no.	17632000
GTIN	4251433906391
Short description	LED converter 350mA, on/off switchable
Material	Plastic
Length	137 mm
Width	42.5 mm
Height	29.5 mm
Weight	0.131 kg

LED converter 350mA, on/off switchable

Article no. 17632000

Light.
For Generations.

Operating technology of driver	
AC nominal voltage min	220 V
AC nominal voltage max	230 V
Frequenz max.	50 Hz
Current	350 mA
Protection class	II
Degree of protection	IP20
Power min	14.7 W
Power	30 W
Control	on/off
Environment temperature (ta)	0°C up to 40°C
Measure point (tc)	max. 85 °C
Version	Plug&Play

Packing data	
Gross weight	0.147 kg
Length of packaging	45 mm
Packaging width	35 mm
Packaging height	190 mm
Disposal at end of life	This product must not be disposed of with household waste. You are obliged, to dispose of such electrical waste separately. By disposing of electrical waste and other old or defective electronics separately, you support recycling or other forms of re-use. In that way you help to take care and to avoid that harmful substances get into the environment.