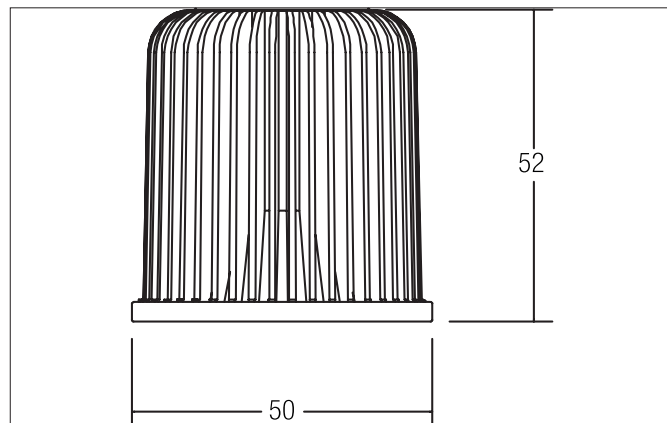


**LED reflector insert MR16, 8 W, TunableWhite, 24 V DC**

Article no. 12843004

Light.  
For Generations.**Tender**

LED reflector insert MR16, 8 W, TunableWhite, 24 V DC, Round. Connecting cable: 3-core, control: negative, common anode (C.A.) Luminous flux: 318 lm with 2000 K, 374 lm with 4000 K, 415 lm with 6500 K. Material: Aluminium / Glass, Degree of protection: according to DIN EN 60529 IP20, Protection class: (EN 61140) III, Voltage: 24V, Power: 8 W, Amount of light sources / fittings: 1 Qty, Luminous flux : 640 lm, Colour temperature: from 2.000 K up to 6.500 K, Beam angle: 60°, Control: Depending on driver.

Article data	
Article no.	12843004
GTIN	4251433922919
Short description	LED reflector insert MR16, 8 W, TunableWhite, 24 V DC
Material	Aluminium / Glass
Shape	Round
Outer diameter	50 mm
Length	0 mm
Hight	50 mm
Weight	0.067 kg



**LED reflector insert MR16, 8 W, TunableWhite, 24 V DC**

Article no. 12843004

Light.  
For Generations.

Lighting technology	
Colour temperature	2.000 K - 6.500 K
Light colour	White
Luminous flux	640 lm
System efficiency	80 lm/W
Colour rendering	CRI > 90
Reflector	High-gloss
Beam angle	60°
Light sharing	Symmetric

Packing data	
Gross weight	0.079 kg
Length of packaging	54 mm
Packaging width	54 mm
Packaging height	68 mm
Disposal at end of life	This product must not be disposed of with household waste. You are obliged, to dispose of such electrical waste separately. By disposing of electrical waste and other old or defective electronics separately, you support recycling or other forms of re-use. In that way you help to take care and to avoid that harmful substances get into the environment.

Accessories	
	Article no.: 17206000 LED power supply 24 V DC, 1-10 V dimmable (analog) Power: 1 - 20 W Dimensions: 145 mm x 55 mm x 19 mm
	Article no.: 17207000 LED power supply 24 V DC, on/off switchable Power: 1 - 30 W Dimensions: 160 mm x 50 mm x 22 mm