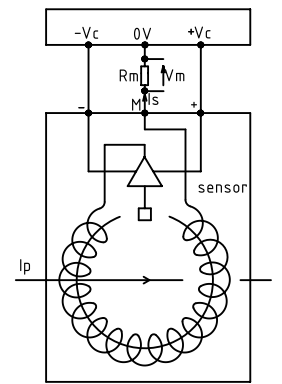
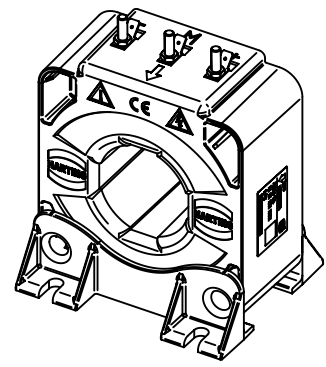
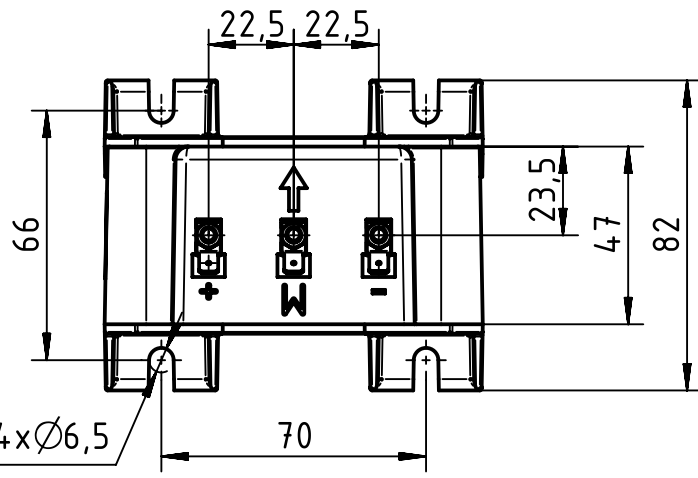
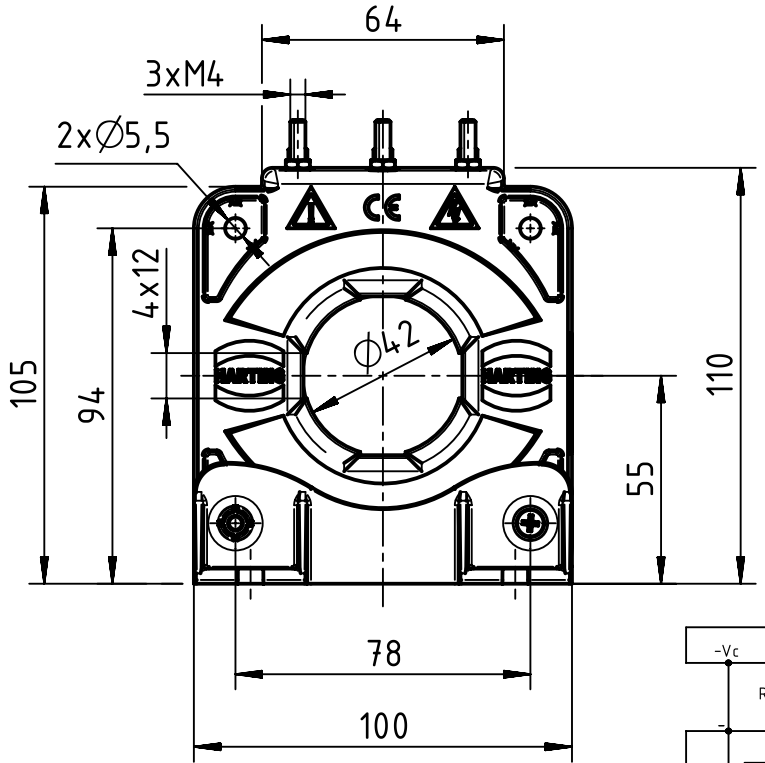


3 x Faston:  
6,3 x 0,8

Hall-element  
position



	All rights reserved Department EL PD HARTING Electric GmbH & Co. KG D-32339 Espelkamp	All Dimensions in mm Original Size DIN A4		Scale 1:2	Free size tol.	Ref. Sub.
		Created by BALSAN	Inspected by PRIESTER	Standardisation TIEMANNA	Date 2019-06-24	State Final Release
Title <b>Current Sensor HCMR 1000A without shield</b>		Type TB	Number 20 31 100 8105	Rev. A	Page 1/1	