

## Wall mounting appliance inlet - without closure cap



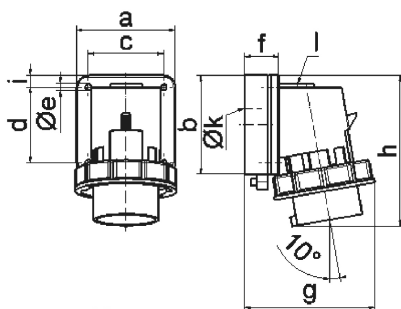
Product description	
BALS-Prd.-Nr	24418
EAN	4024941244183
Product category	TE wall mounting appliance inlet Quick-Connect
Current	32A
Number of poles	5p
Arrangement of phases	3p+N+PE
Position of earth contact	6 h
Voltage	200/346 - 240/415V~
Frequency	50/60Hz

Product description	
Protection degree	IP67
Colour code	red RAL 3000
Colour of appliance	Collar red RAL 3000, Bayonet ring grey RAL 7035, Housing bottom grey RAL 7035, Housing top grey RAL 7035
Connection design	screwless spring-clamp technology
Maximum conductor size	6,0 qmm
Cable entry	top entry M25
Height	139mm
Width	100mm
Depth	125mm
Dimension of enclosure	75x90 mm (HxW)
Material of enclosure	Polyamide
Contacts	The contact carrier is made of high temperature resistant material, the contacts are brass nickel plated

Additional technical properties	
	The cable entry is one at top open and one rear sided closed

Logistics data	
Weight/pcs	0.339 kg / Piece
Packaging	Bag
Content amount	1 ST

Logistics data	
EAN	4024941244183
Length	125 mm
Width	100 mm
Height	139 mm
Weight	0.34 kg
Volume	1,737.5 ccm
Packaging	Carton
Content amount	10 ST
EAN	4024941968720
Length	330 mm
Width	216 mm
Height	260 mm
Weight	3.616 kg
Volume	17,062.5 ccm



Ampere	16	32				
Polzahl	5	5				
a	84,0	90,0				
b	84,0	75,0				
c	64,0	78,0				
d	64,0	45,0				
e ø	5,5	5,5				
f	28,0	28,0				
g	111,0	123,0				
h	136,0	139,0				
i	10,0	13,0				
k ø	23,0	29,0				
l	M20	M25				