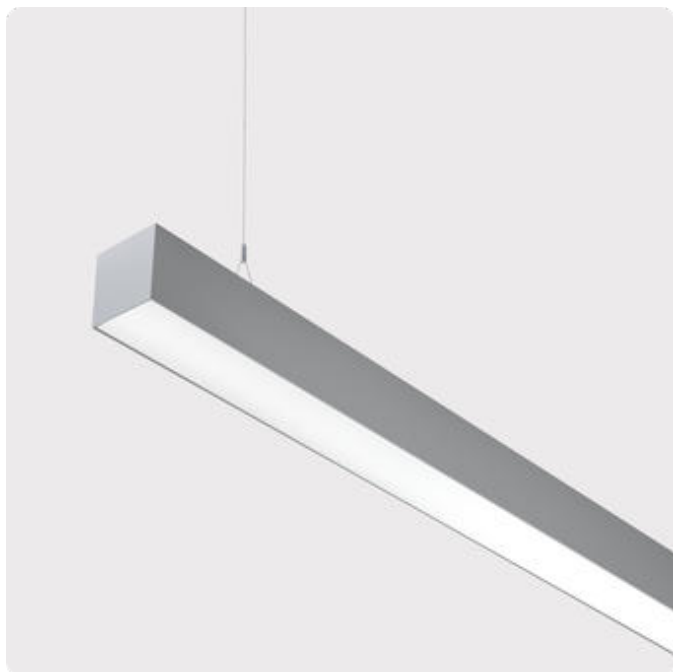


# lightnet

## Matric-G5

Pendant light-line - Direct light distribution

Article code: LG5OEL-840H-L1182-Y



Illustrations may only be similar and serve as an orientation.

Matric-G5. LED. Pendant light-line. Luminaire body made of high-quality aluminum profile. Surface finish Silver Anodised. Direct only light distribution. Colour temperature: 4000K (Cool White). Colour Rendering Index (CRI): >80. Opal diffuser for enhanced light transmission and perfect uniform illumination. Dimmable DALI. LxWxH (rectangular). L=1182mm. W=81mm. H=81mm. Y-cord suspension with power supply cable and ceiling rose (Set). Pendant length max 1500mm. Power supply: transparent. Ceiling rose:

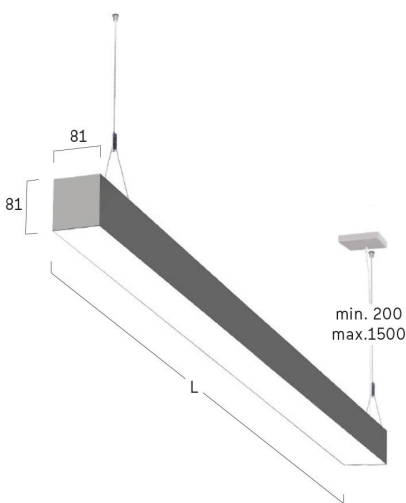
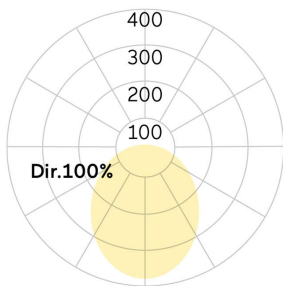
Matching luminaire's surface colour. High-power current. 4810lm. 40W. 4,3kg. Binning initial <= MacAdam 3. IP20. Protection class I. CE, UKCA marking. Prüfzeichen: ENEC. IK02. 220-240V. 50-60 Hz. RG0 (EN62471). Luminous flux reduction up to 0,4%/1.000 operating hours. Nominal failure rate: 0,2%/1.000 operating hours. L80B10 (tq 25°C) = 50.000h. 5 years warranty. Manufacturer: Lightnet GmbH, ISO 9001:2015 and 50001:2018 certified.

# lightnet

## Matric-G5

Pendant light-line - Direct light distribution

Article code: LG5OEL-840H-L1182-Y



Customer / Project: \_\_\_\_\_

Note: \_\_\_\_\_

|                              |   |
|------------------------------|---|
| Productname                  | Matric-G5   |
| Lamp                         | LED   |
| Installation Type            | Pendant light-line                                |
| Surface finish               | Silver Anodised                                   |
| Light characteristics        | Direct light distribution                         |
| Colour temperature           | 4000K   |
| Colour Rendering Index (CRI) | CRI>80  |
| Optical system               | Opal diffuser                                     |
| Control                      | Dimmable (DALI)                                   |
| Length L/Diameter D (mm)     | L=1182mm  |
| Width W (mm)                 | W=81mm  |
| Height H (mm)                | H=81mm  |
| Current/Power                | High-Power  |
| Luminous Flux                | 4810lm  |
| Power consumption            | 40W   |
| Suspension                   | Y-susp. (Set)                                     |
| Ceiling rose colour          | Ceiling rose: Matching luminaire`s surface colour |
| Pendant length (mm)          | Pendant length max 1500mm                         |
| Degree of protection         | IP20  |
| Certification                | Prüfzeichen: ENEC                                 |
| Cable Colour                 | Power supply: transparent                         |
| LED lifetime                 | L80B10 (tq 25°C) = 50.000h                        |
| Photometric code             | 8 40 / 3 3 9                                      |
| Photobiological class        | RG0 (EN62471)                                     |
| Indoor/Outdoor               | Indoor: ta [ambient] max. 25°C                    |
| Weight (kg)                  | 4,3kg   |

