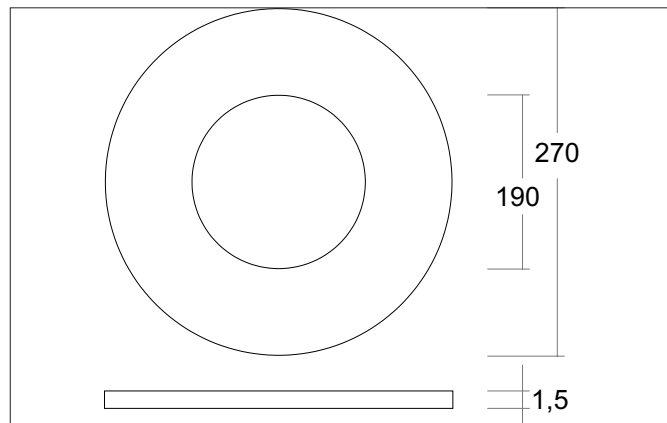


KACIE MIDI / APOLLO MAXI Reducing ring for recessed downlight

Article no. 81026160

Light.
For Generations.**Tender**

Reducing ring for recessed downlight, silver structure, Round.Reducing ring for recessed downlights, diameter270 mm, inner diameter 190 mm,thickness 1,5 mm, with three fixing springs forthe ring itself in a pitch circle of 220 mm<P/></TEXT> Material: Steel, .

Article data	
Article no.	81026160
GTIN	4251433988809
Series name	KACIE MIDI / APOLLO MAXI
Short description	Reducing ring for recessed downlight
Material	Steel
Colour	Silver
Type of surface	Structure
Shape	Round
Outer diameter	270 mm
Hight	1.5 mm
Weight	0.436 kg

Packing data	
Gross weight	0.455 kg
Length of packaging	280 mm
Packaging width	280 mm
Packaging hight	45 mm
Disposal at end of life	This product must not be disposed of with household waste. You are obliged, to dispose of such electrical waste separately. By disposing of electrical waste and other old or defective electronics separately, you support recycling or other forms of re-use. In that way you help to take care and to avoid that harmful substances get into the environment.

KACIE MIDI / APOLLO MAXI Reducing ring for recessed downlight
Article no. 81026160

Light.
For Generations.