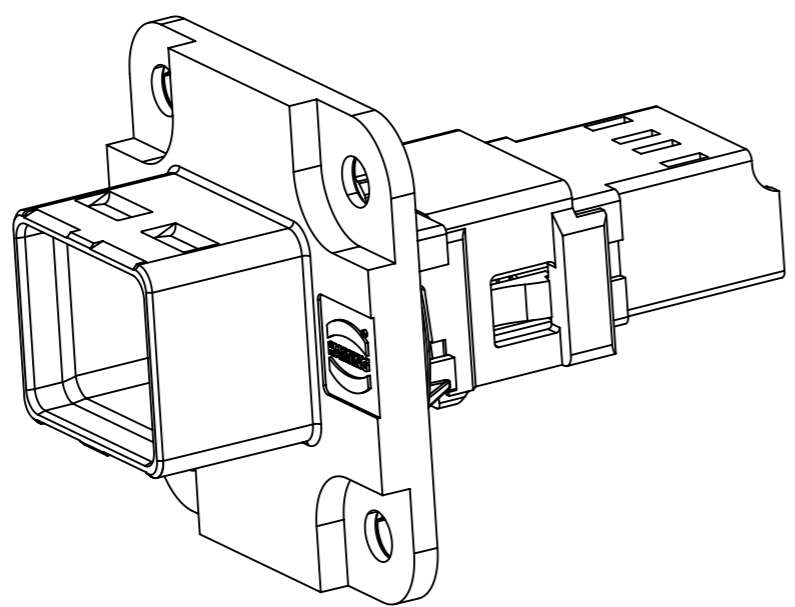
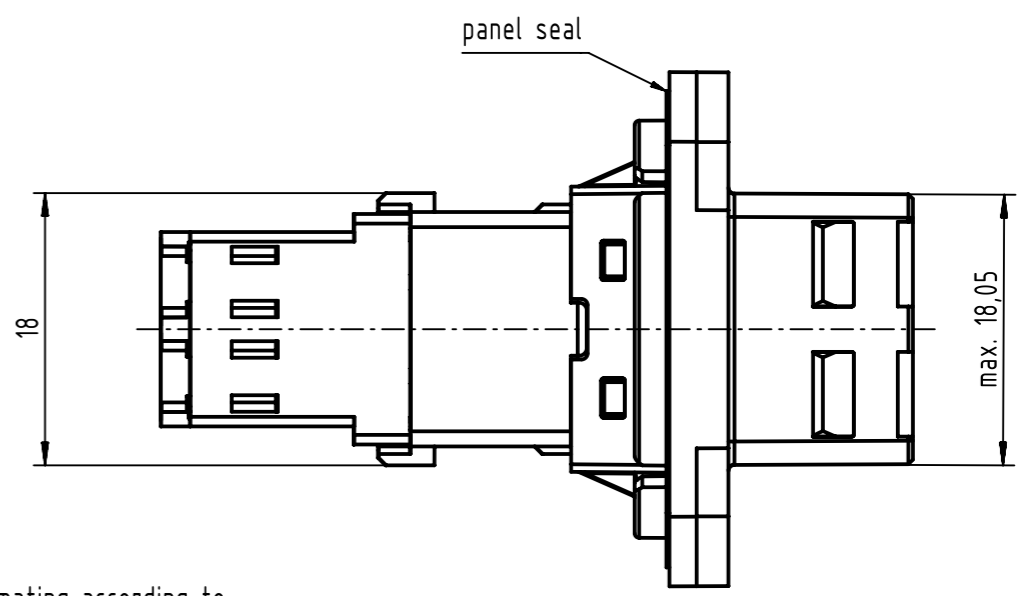
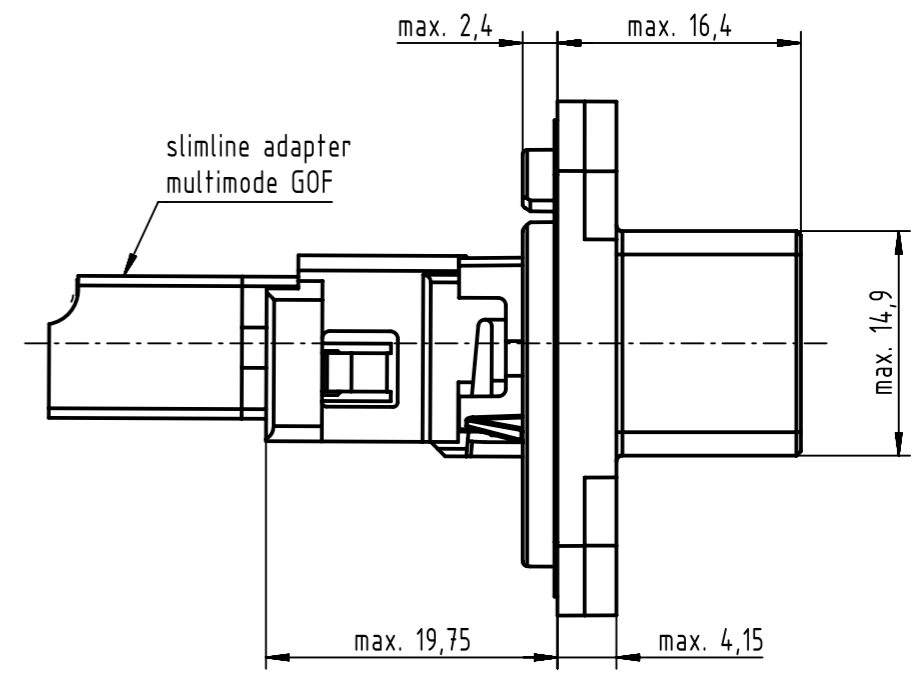
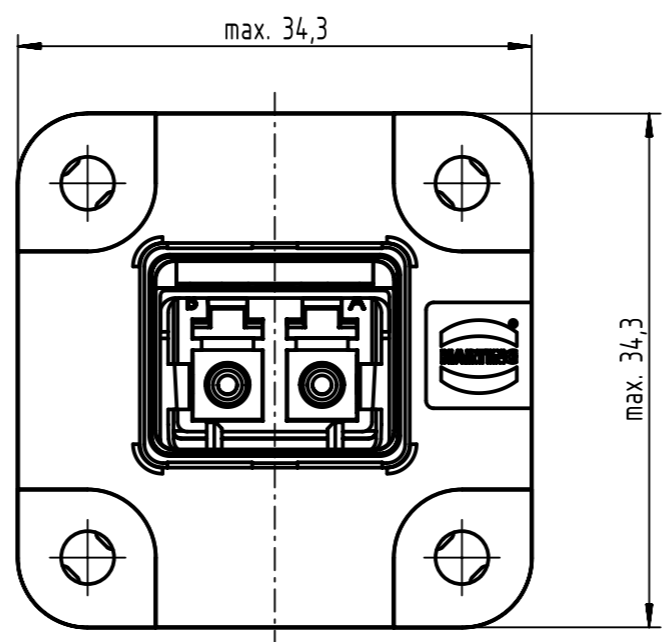
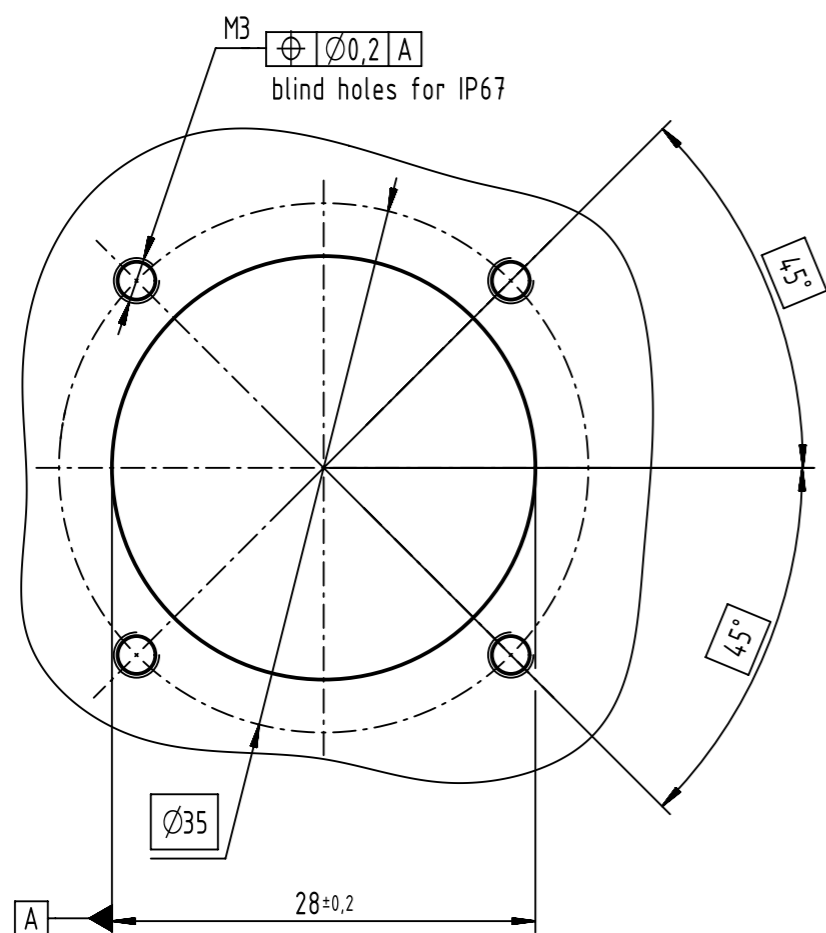


panel cut-out



LC fibre optic mating according to IEC 61754-20

connector pitch on panel = 35 mm

Receptacle housing according to IEC 61076-3-106 variant 04

Screwing with M3 screws with torque min. 0.5 Nm with flat washer under the screws

	All Dimensions in mm Original Size DIN A3		Scale 2:1	Free size tol.		Ref. Sub. TB 09 57 468 0500.000 / Mod.35650 / 03.02.2009	
	All rights reserved Department EC PD - DE		Created by KAHLERK	Inspected by ELLERMANN	Standardisation HOFFMANN	Date 2017-02-13	State Final Release
HARTING Electronics GmbH D-32339 Espelkamp		Title HPP V4 LC easy install MM GOF				Doc-Key / ECM-Nr. 100224199/UGD/001/B 500000115510	
		Type TB	Number 09574680500000			Rev. B	Page 1/1