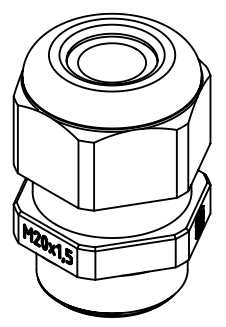
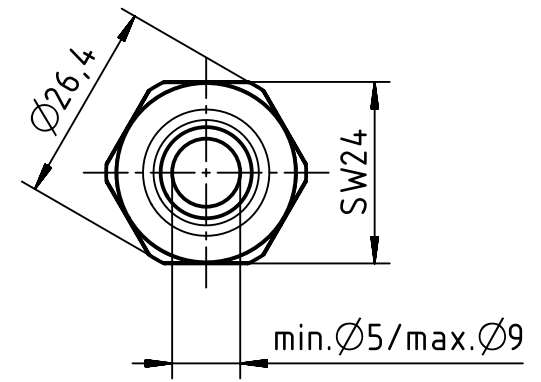
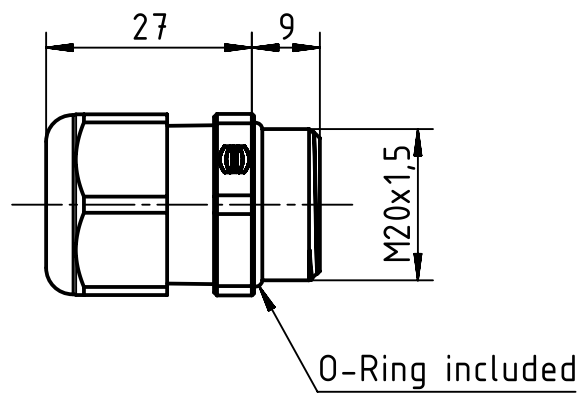


1 2 3 4 5 6

A  
B  
C  
D



	All Dimensions in mm Original Size DIN A4		Scale 1:1	Free size tol.		Ref.
			Created by LONGL	Inspected by DINGB	Standardisation TIEMANNA	Date 2016-03-04
All rights reserved Department EL PD - DE		Title Han CGM-P M20x1,5 D.5-9mm black		State Final Release		Doc-Key / ECM-Nr. 100644446/UGD/001/B 500000100783
HARTING Electric GmbH & Co. KG D-32339 Espelkamp		Type TB	Number 19 00 000 5181		Rev. B	Page 1/1