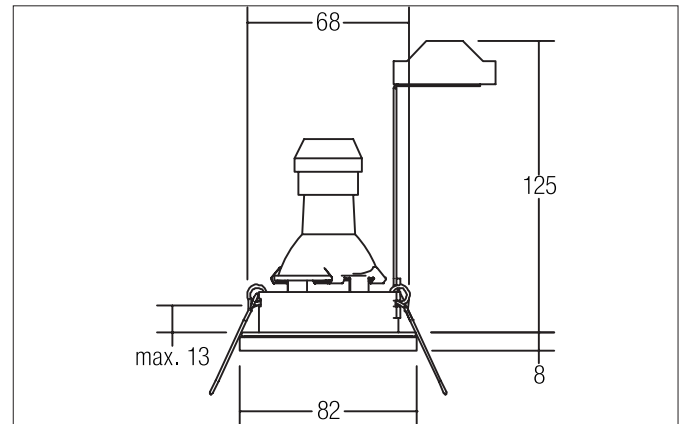


Recessed downlight, IP65, GU10
Article no. 36149250

Light.
For Generations.



Tender

Recessed downlight, IP65, GU10, alu, Round. In a compact design, for installation in tool-less rapid assembly systems. Including bracket with GU10 socket for standard-compliant strain relief. Lamp holder: GU10, Mounting method: Recessed mounting, Place of installation: Ceiling-mounted, Material: Cast iron / Glass, Degree of protection: according to DIN EN 60529 IP65*, Protection class: (EN 61140) II, Voltage: 230V AC 50Hz, Power: 50W, Amount of light sources / fittings: 1.0 Qty, Adjustability: Not adjustable, Control: Other.

| Article data | |
|--------------------|--------------------------------|
| Article no. | 36149250 |
| GTIN | 4250047780595 |
| Short description | Recessed downlight, IP65, GU10 |
| Material | Cast iron / Glass |
| Colour | Alu |
| Type of surface | Matt |
| Shape | Round |
| Outer diameter | 80 mm |
| Built-in diameter | 68 mm |
| Installation depth | 125 mm |
| Hight | 7 mm |
| Weight | 0.104 kg |

Recessed downlight, IP65, GU10

Article no. 36149250

Light.
For Generations.

| Operating technology of the luminaire | |
|---------------------------------------|------------------------|
| System output | 50 W |
| Voltage type | AC |
| AC nominal voltage max | 220 V |
| Frequenz max. | 50 Hz |
| Lamp | for LED-retrofill lamp |
| Lamp holder | GU10 |
| Protection class | II |
| Degree of protection | IP65 |
| Schutzart deckenseitig | IP20 |
| Control | Other |
| Bulb change possible | Yes |

| Mounting technology | |
|------------------------|---|
| Mounting method | Recessed mounting |
| Place of installation | Ceiling-mounted |
| Adjustability | Not adjustable |
| Max. ceiling thickness | 13 mm |
| Further references | No mounting box No cover with thermal insulation material |
| Material cover | Glass opal |
| Circlip | Without circlip |

| Packing data | |
|-------------------------|---|
| Gross weight | 0.129 kg |
| Length of packaging | 100 mm |
| Packaging width | 100 mm |
| Packaging height | 100 mm |
| Disposal at end of life | This product must not be disposed of with household waste. You are obliged, to dispose of such electrical waste separately. By disposing of electrical waste and other old or defective electronics separately, you support recycling or other forms of re-use. In that way you help to take care and to avoid that harmful substances get into the environment. |