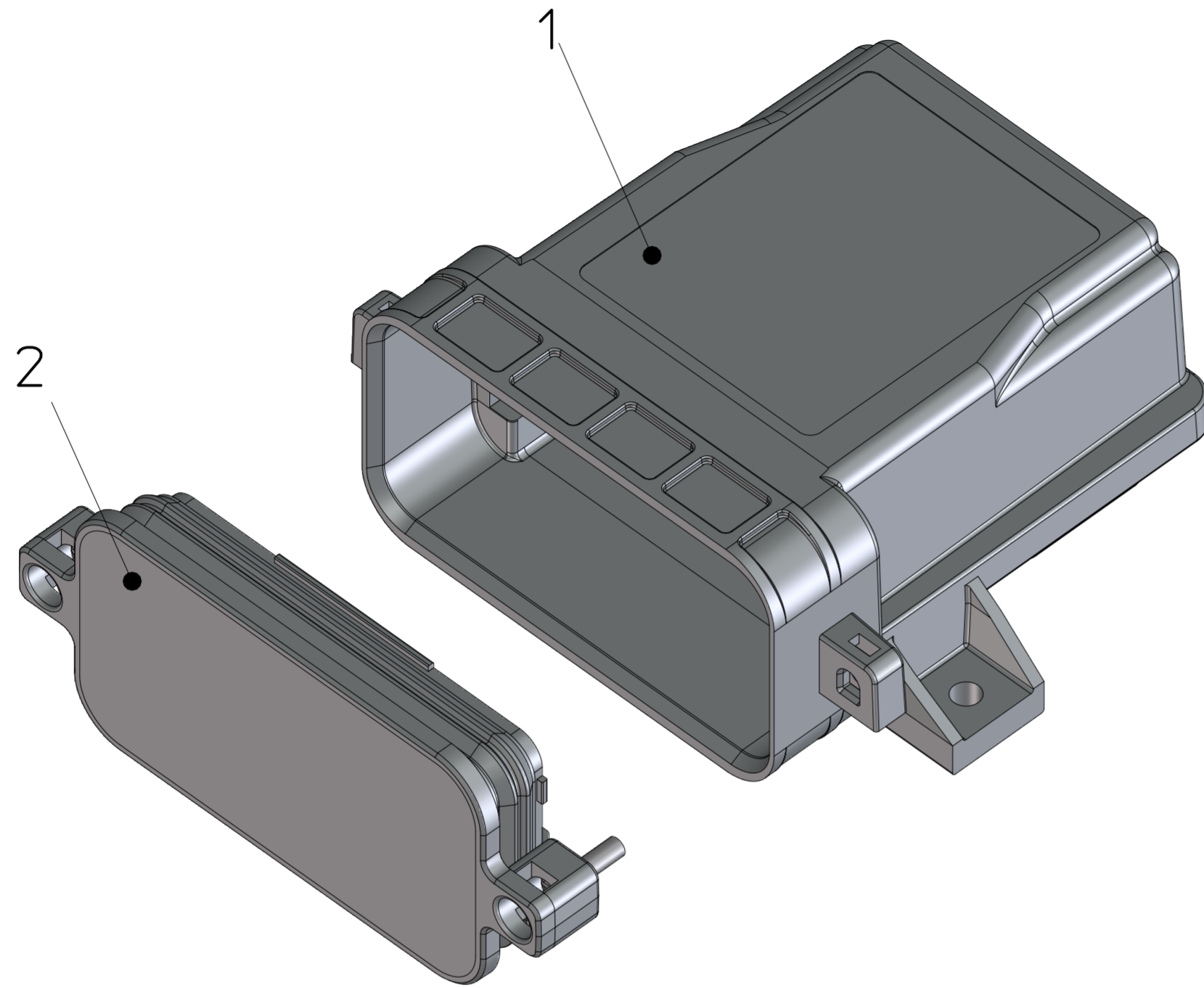


Transfer or duplication of this document as well as the utilisation or communication of its content are not permitted unless express consent is granted. Violations give rise to claims for damages. All rights reserved in case of patent, utility model or design patent registrations.

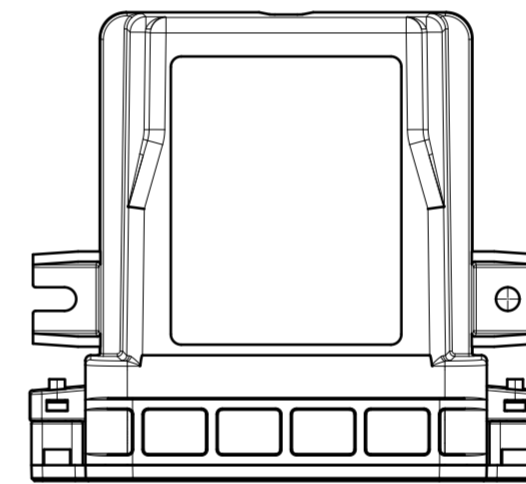
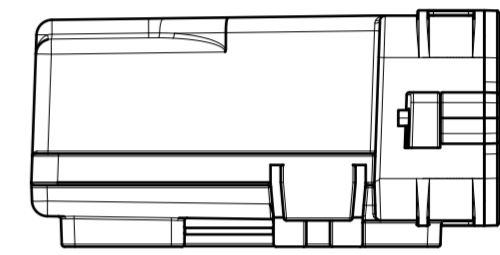
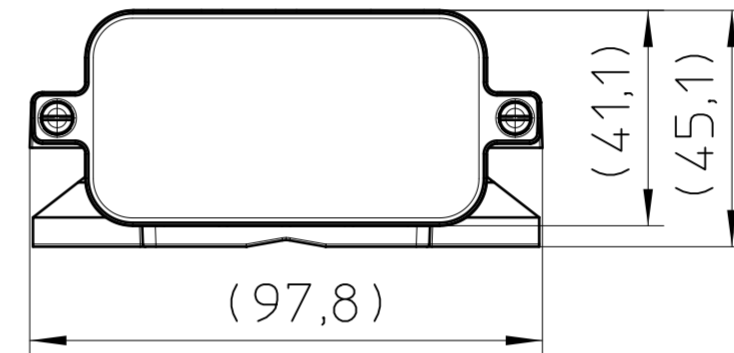
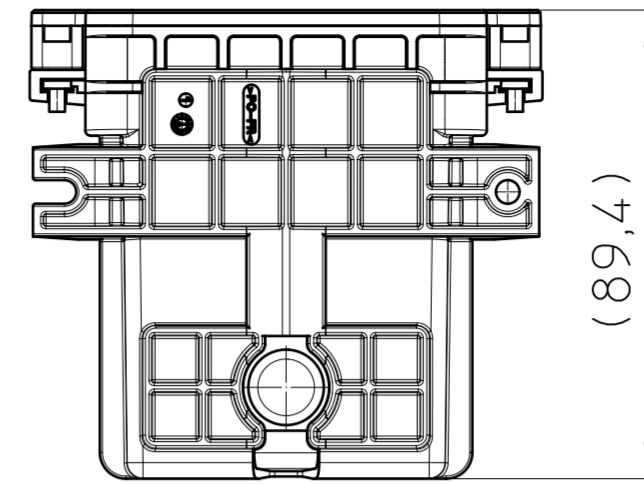
Weitergabe sowie Vervielfältigung dieses Dokuments, Verwertung und Mitteilung seines Inhalts sind verboten, soweit nicht ausdrücklich gestattet. Zuwiderhandlungen verpflichten zu Schadenersatz. Alle Rechte für den Fall der Patent-, Gebrauchsmuster- oder Designeintragung vorbehalten.



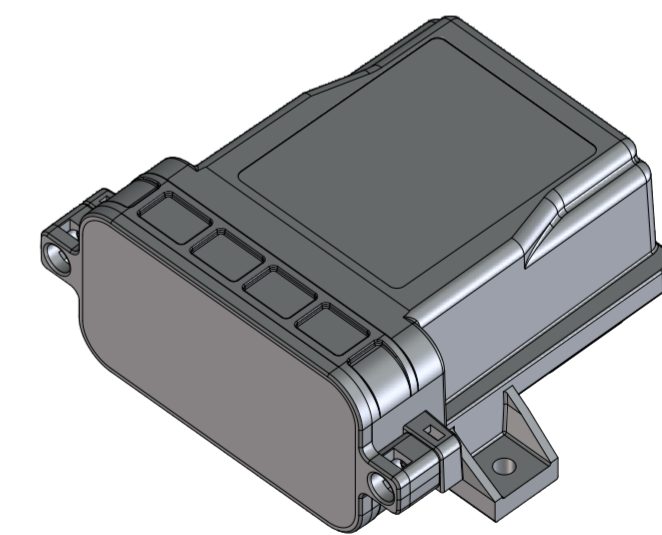
General Information:

- Simplified representation, exemplary shown in gray.
- Document excluded from change process
- Units are in millimeters [mm] and degrees [°]
- Tolerances apply in a normal climate according to DIN EN ISO 291-23/50-2.
- Web: [www.phoenixcontact.com](http://www.phoenixcontact.com) webcode: #0857

Assembly example



1:2

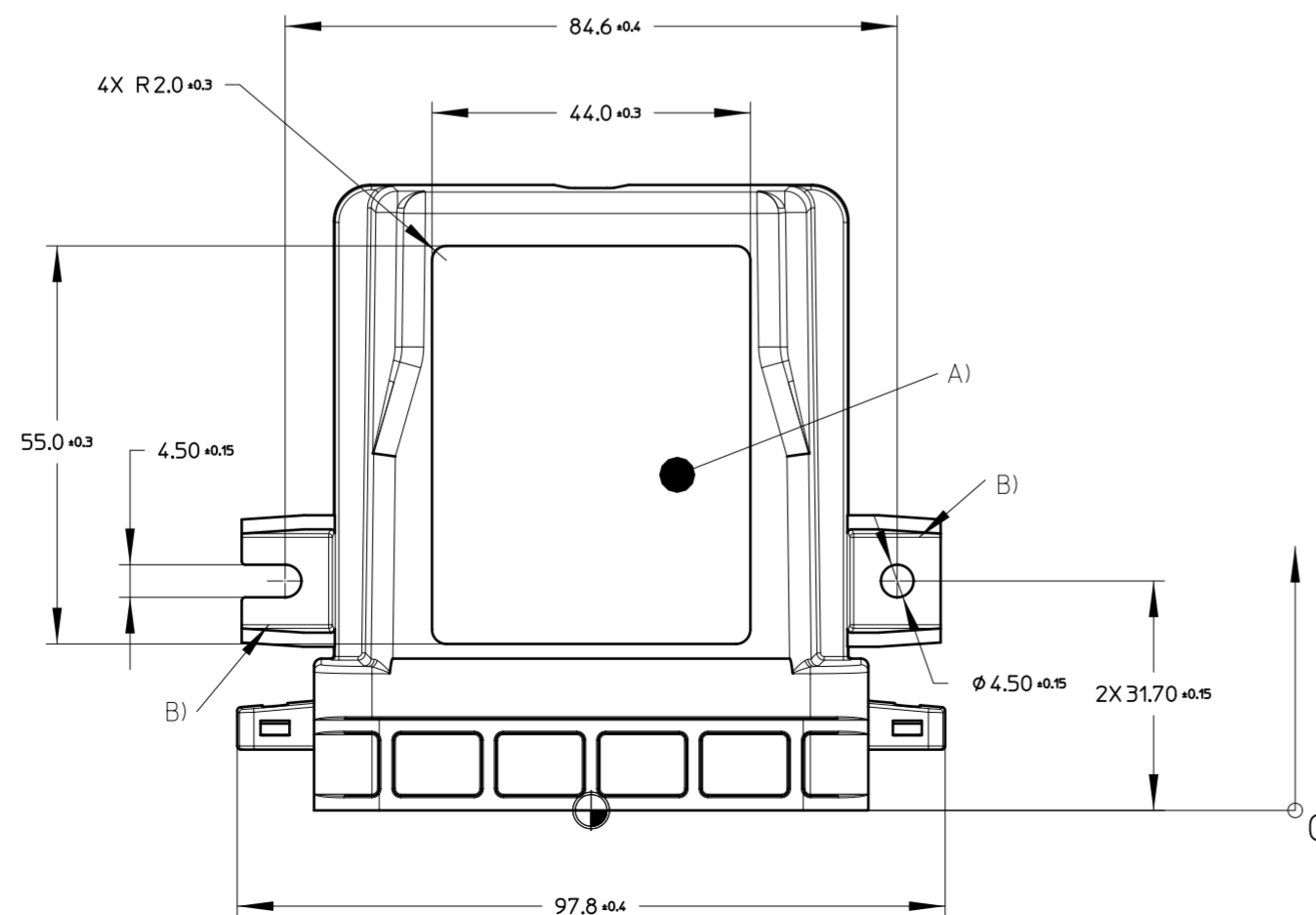
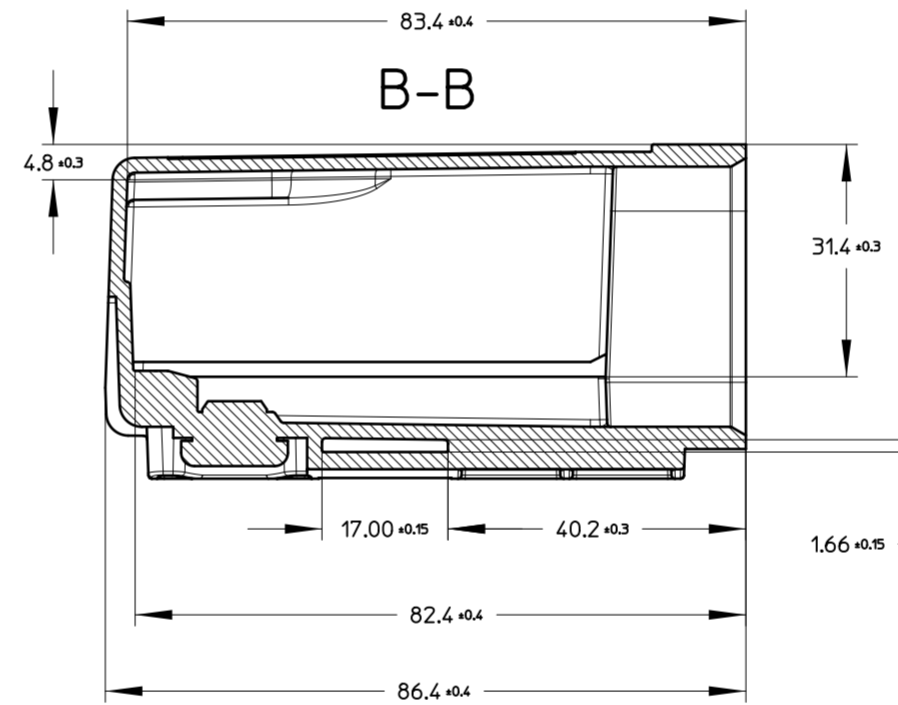
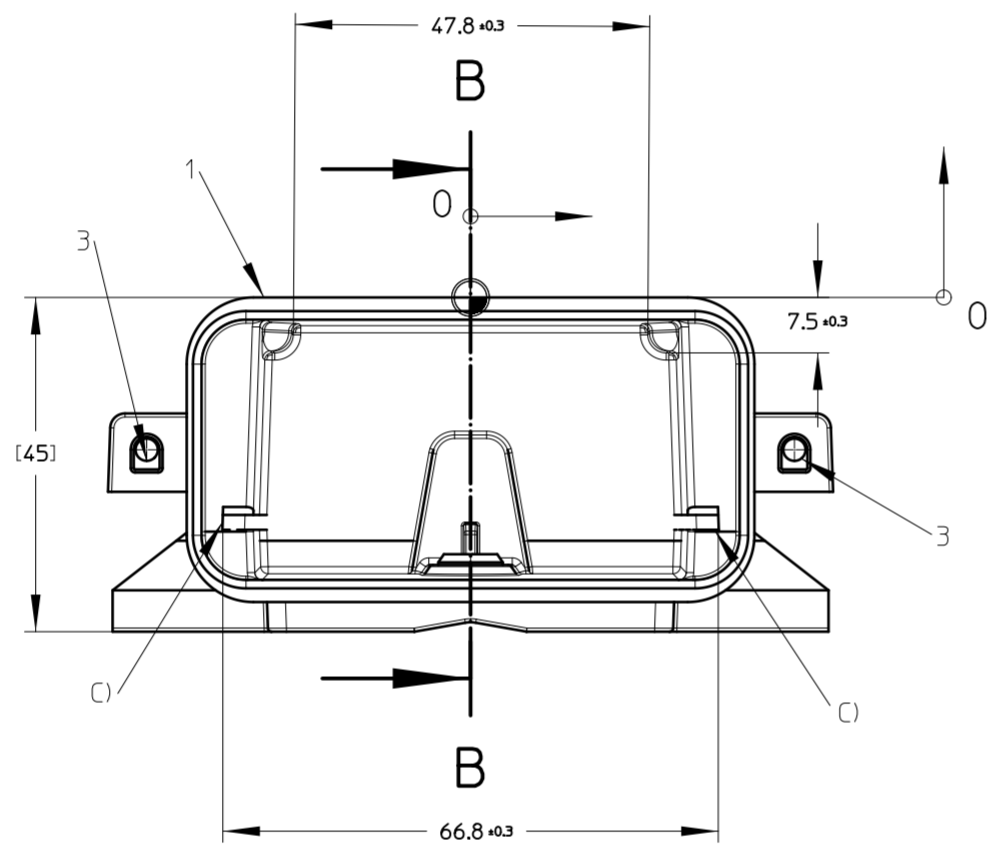
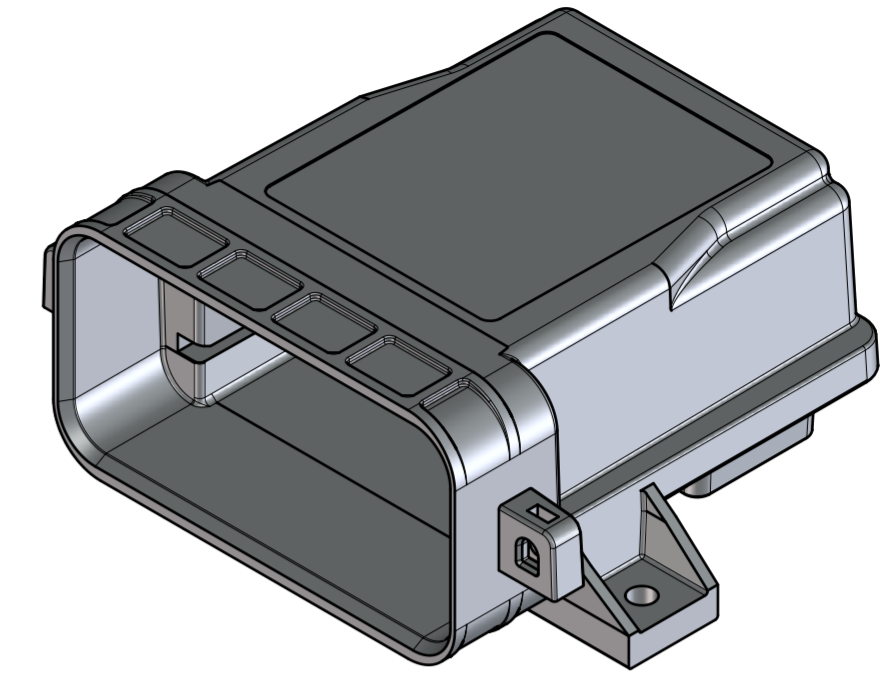
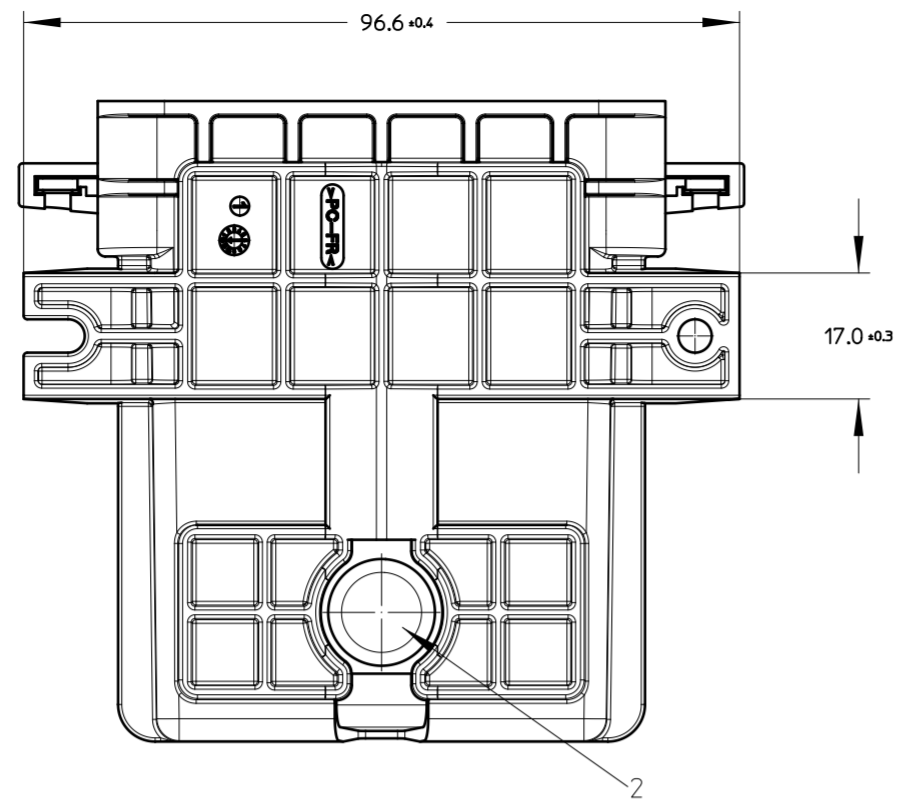


1:2

KIT (not mounted)

| Pos. | QTY | Description                 |
|------|-----|-----------------------------|
| 1    | 1   | ECS-ENCLOSURE-64x80-S-UV-V  |
| 2    | 1   | ECP-FRONTPLATE-64x80-S-UV-B |

|             |                   |                          |       |
|-------------|-------------------|--------------------------|-------|
| DIN A3      | document-No. / RI | date                     | scale |
|             | 01377112 / 00     | 04.06.2021               | 1:1   |
|             | ident.-No.        | document-type            |       |
|             | 1457026           | TECDOC 2D_Productdrawing |       |
| description |                   | ECS-SKT-64X80-S-UV-7042  |       |
| page 1      | of 3              |                          |       |



GENERAL INFORMATION:  
 - SIMPLIFIED REPRESENTATION  
 - DOCUMENT EXCLUDED FROM CHANGE PROCESS  
 - LINEAR DIMENSIONS (MM)  
 - WEB: WWW.PHOENIXCONTACT.COM WEBCODE: #2655

Additional Information:  
 A) LABEL/PRINTING AREA  
 B) MOUNTING FEET  
 C) PCB GUIDE (FOR .062" (1.57MM) THICK PCB)

⊕ WORKPIECE ZERO POINT FOR MECHANICAL PROCESSING

| Pos. | QTY | description     | material |
|------|-----|-----------------|----------|
| 1    | 1   | ECS ENCLOSURE   | PC       |
| 2    | 1   | BREATHABLE VENT | PBT      |
| 3    | 2   | M3 SQUARE NUT   | SS       |

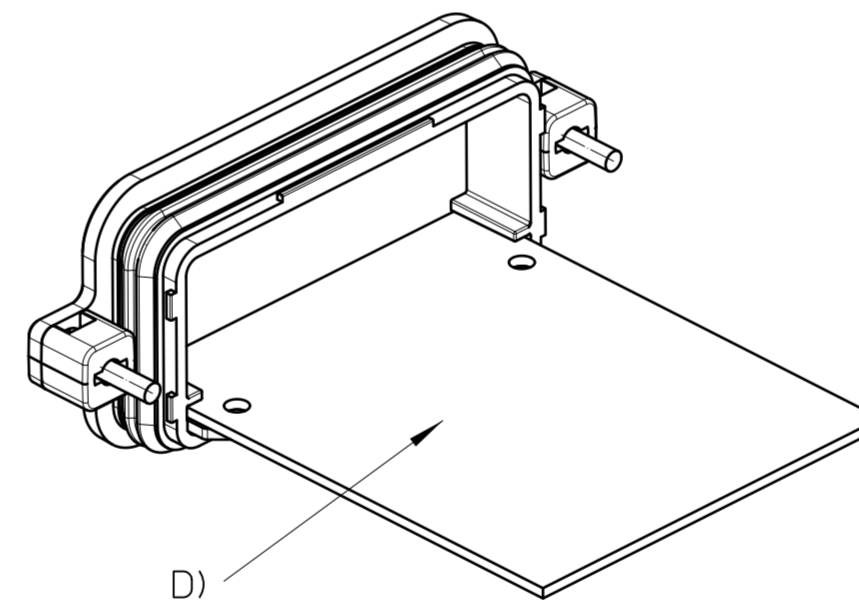
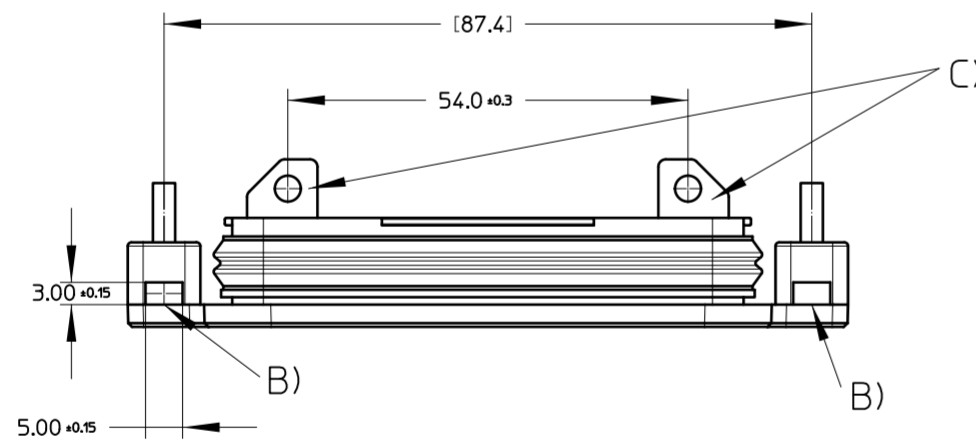
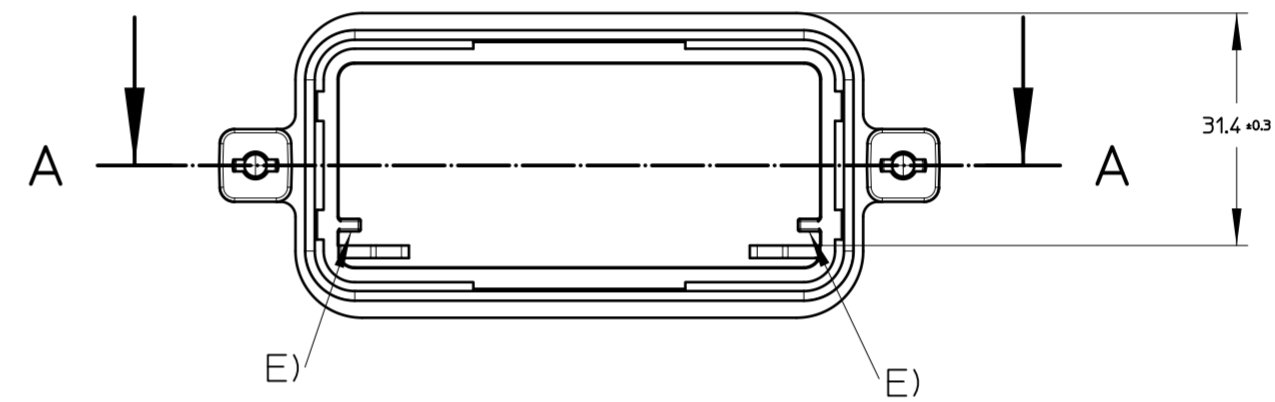
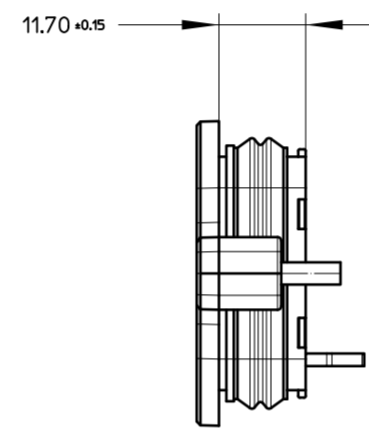
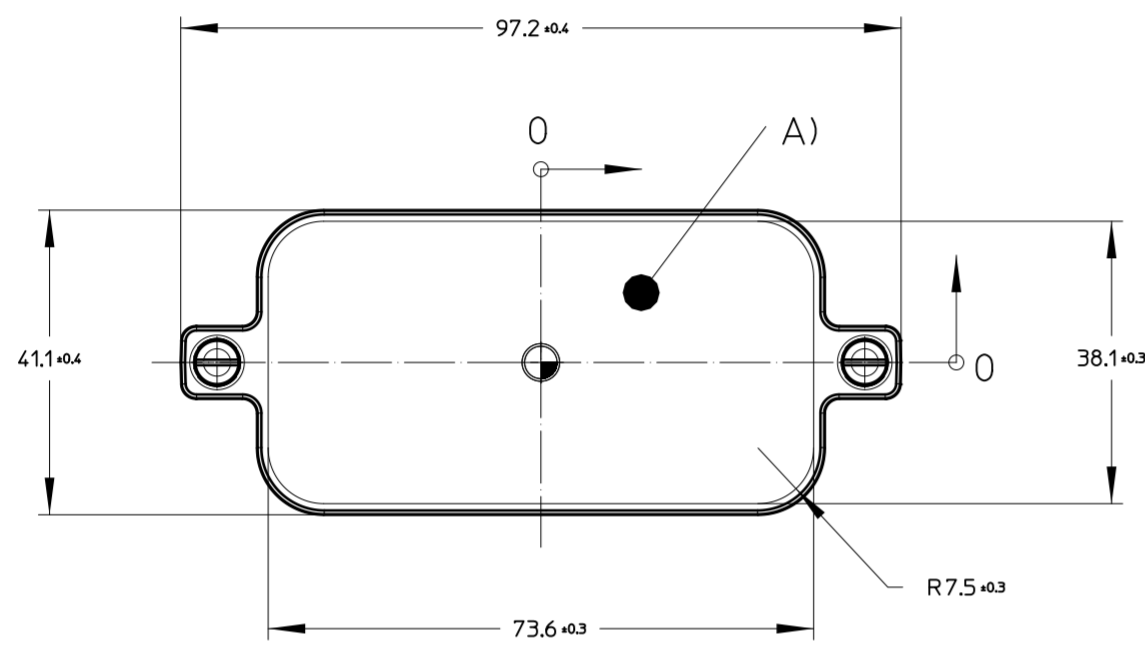
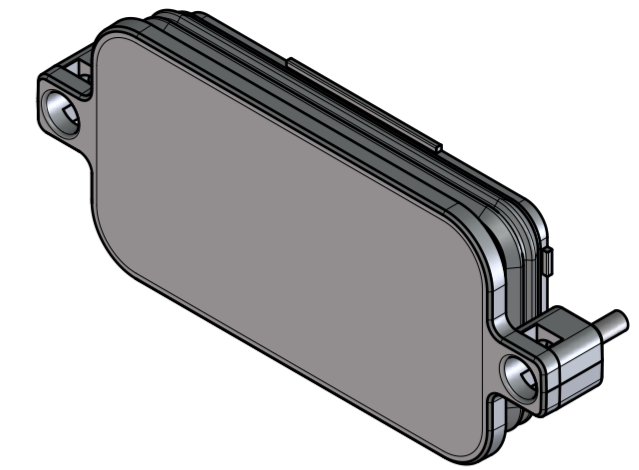
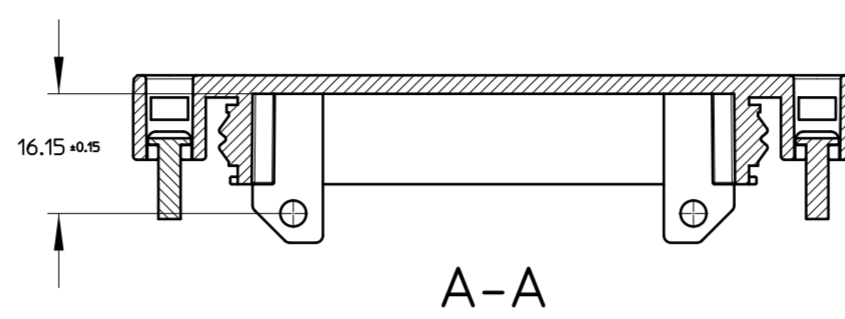
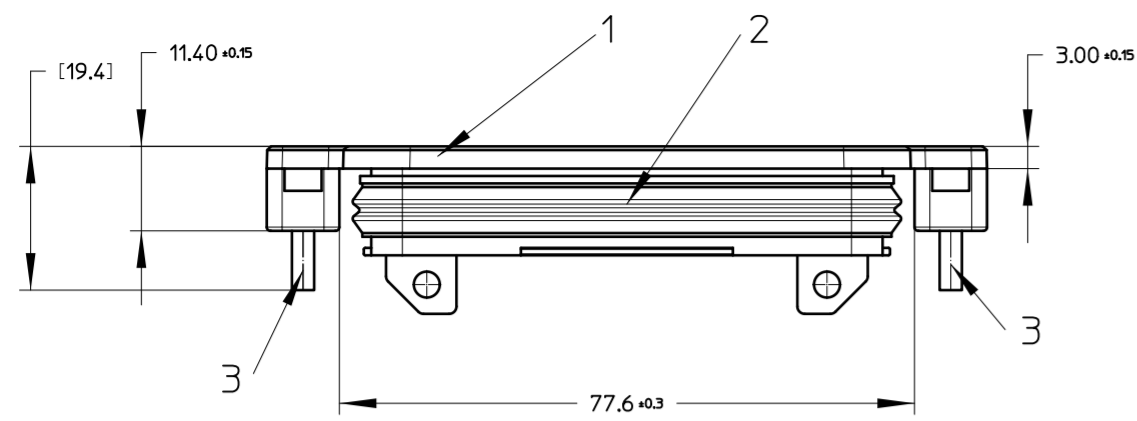
|        |                   |                          |       |
|--------|-------------------|--------------------------|-------|
|        | document-No. / RI | date                     | scale |
|        | 01377112 / 00     | 04.06.2021               | 1:1   |
|        | ident.-No.        | document-type            |       |
|        | 1457026           | TECDOC 2D_Productdrawing |       |
|        | description       | ECS-SKT-64X80-S-UV-7042  |       |
| page 2 | of 3              |                          |       |

Transfer or duplication of this document as well as the utilisation or communication of its content are not permitted unless express consent is granted. Violations give rise to claims for damages. All rights reserved in case of patent, utility model or design patent registrations.

Weitergabe sowie Vervielfältigung dieses Dokuments, Verwertung und Mitteilung seines Inhalts sind verboten, soweit nicht ausdrücklich gestattet. Zuwiderhandlungen verpflichten zu Schadensersatz. Alle Rechte für den Fall der Patent-, Gebrauchsmuster- oder Designeintragung vorbehalten.

Transfer or duplication of this document as well as the utilisation or communication of its content are not permitted unless express consent is granted. Violations give rise to claims for damages. All rights reserved in case of patent, utility model or design patent registrations.

Weitergabe sowie Vervielfältigung dieses Dokuments, Verwertung und Mitteilung seines Inhalts sind verboten, soweit nicht ausdrücklich gestattet. Zuwiderhandlungen verpflichten zu Schadensersatz. Alle Rechte für den Fall der Patent-, Gebrauchsmuster- oder Designeintragung vorbehalten.



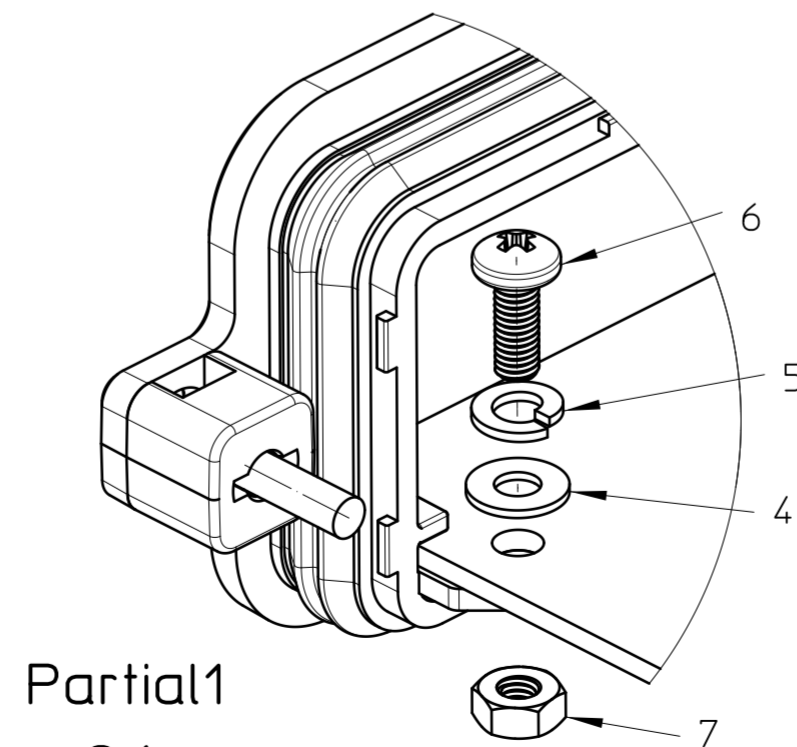
GENERAL INFORMATION:  
 - SIMPLIFIED REPRESENTATION  
 - DOCUMENT EXCLUDED FROM CHANGE PROCESS  
 - LINEAR DIMENSIONS (MM)  
 - WEB: WWW.PHOENIXCONTACT.COM WEBCODE: #2655

ADDITIONAL INFORMATION:  
 A) LABEL / MILLING / PRINT AREA  
 B) TAMPER PROOF FEATURE  
 C) PCB MOUNTING AREA  
 D) CUSTOMER SUPPLIED PCB  
 E) PCB PRESS FIT RETENTION FEATURE

WORKPIECE ZERO POINT FOR MECHANICAL PROCESSING

OPTIONAL CUSTOMER ASSEMBLED COMPONENTS

| Pos. | QTY | description          |
|------|-----|----------------------|
| 4    | 2   | M3 FLAT WASHER       |
| 5    | 2   | M3 SPLIT LOCK WASHER |
| 6    | 2   | M3X8 SCREW           |
| 7    | 2   | M3 NUT               |



Partial1  
2:1

| Pos. | QTY | description    | material |
|------|-----|----------------|----------|
| 1    | 1   | ECS FACEPLATE  | PC       |
| 2    | 1   | FACEPLATE SEAL | SI       |
| 3    | 2   | M3 SCREWS      | SS       |

|                        |  |   |              |
|------------------------|--|---|--------------|
| DIN A2                 | document-No. / RI<br>01377112 / 00     | date<br>04.06.2021                        | scale<br>1:1 |
| <b>PHOENIX CONTACT</b> | ident.-No.<br>1457026                  | document-type<br>TECDOC 2D_Productdrawing |              |
| page 3 of 3            | description<br>ECS-SKT-64X80-S-UV-7042 |   |              |