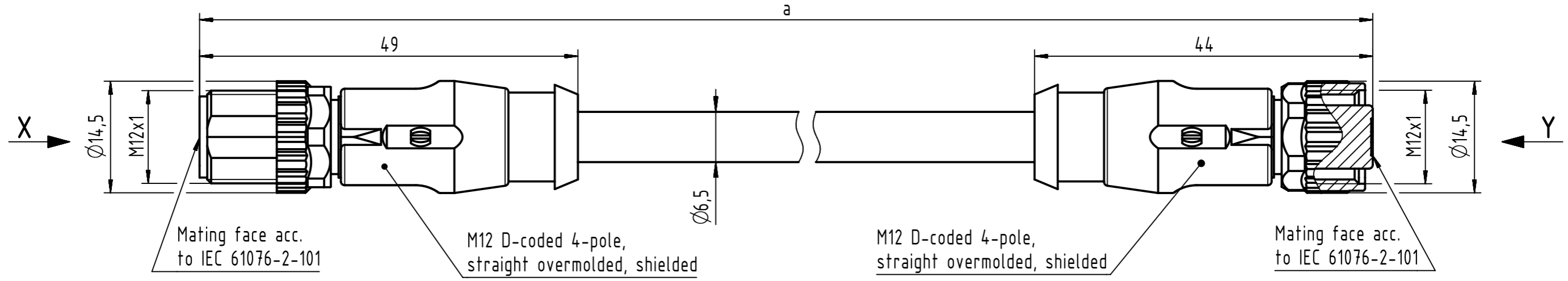


Connector Location A

Connector Location B



Mating face acc. to IEC 61076-2-101

M12 D-coded 4-pole, straight overmolded, shielded

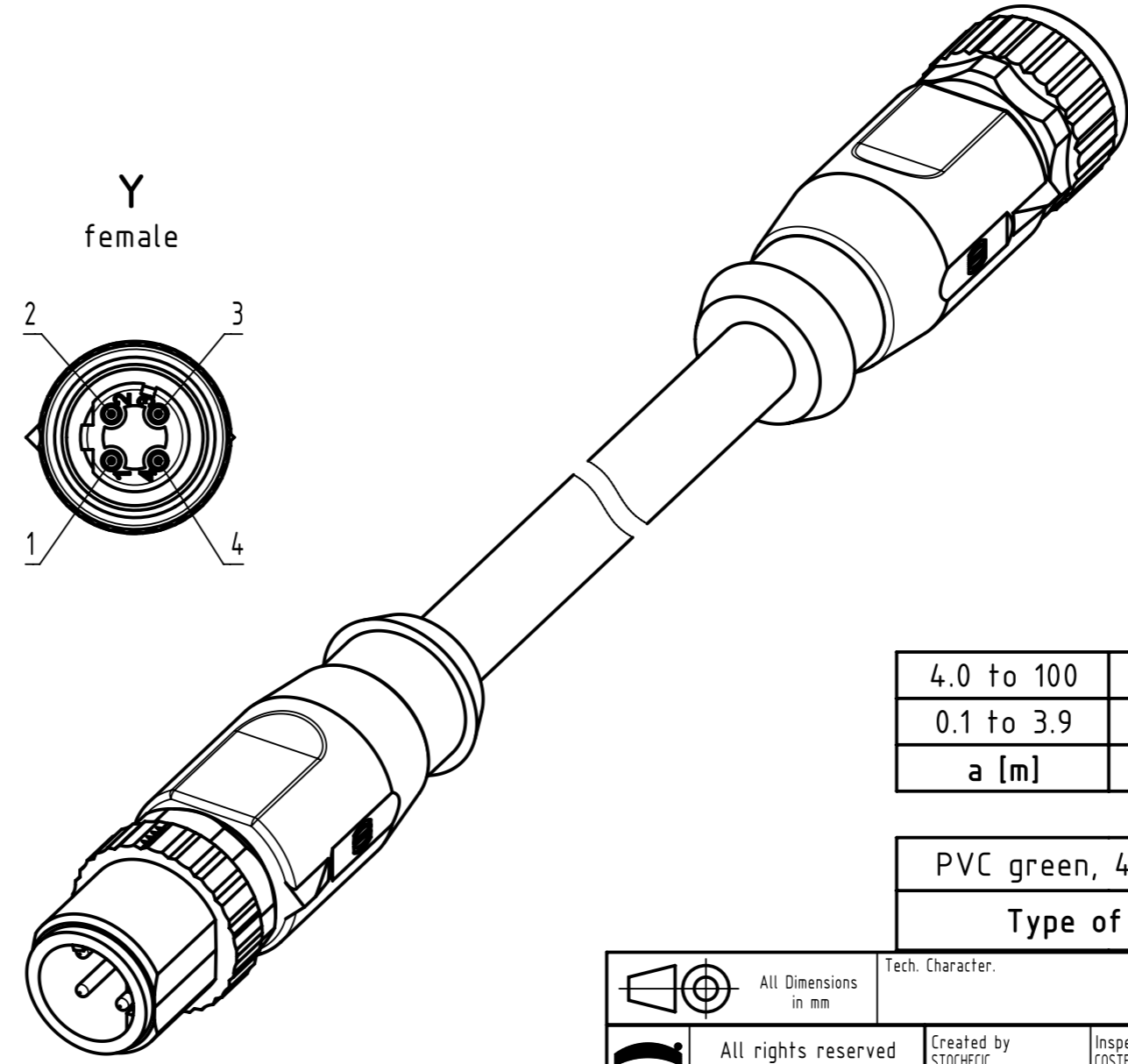
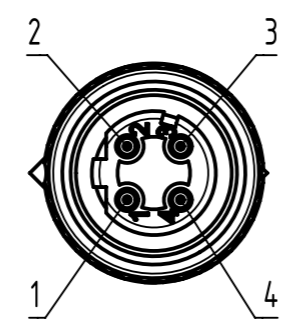
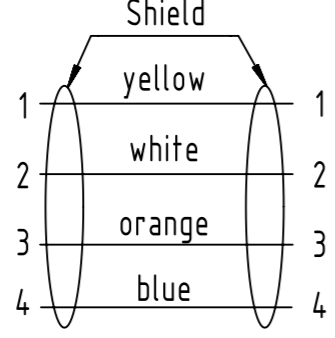
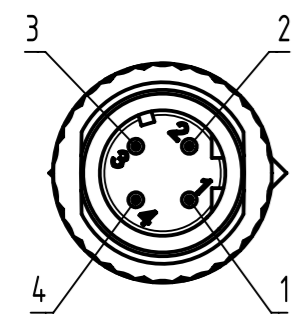
M12 D-coded 4-pole, straight overmolded, shielded

Mating face acc. to IEC 61076-2-101

X male

Loading-Plan

Y female



length in "1m" step	100	XXX=000
	99	XXX=990
	.	.
	12	XXX=120
	11	XXX=110
length in "0.1m" step	10	XXX=100
	9.9	XXX=099
	9.8	XXX=098
	.	.
	0.4	XXX=004
	0.3	XXX=003
	0.2	XXX=002
	0.1	XXX=001
Step	a [m]	XXX

4.0 to 100	±1%
0.1 to 3.9	+0.04
a [m]	Tolerance

PVC green, 4xAWG22/7	21349293405XXX
Type of cable	Part no.

- Protection level: IP67
- Temperature range: -30°C ... +70°C

	All rights reserved Department HCS - RO	Created by STOCHECIC Stochechi	Inspected by COSTEA Costea	Standardisation MUNTEANV Muntean	Date 2018-12-14	State Final Release
HARTING Customised Solutions D-32339 Espelkamp		Title M12 Cable Assembly D-cod st/st m/f		Doc-Key / ECM-Nr. 100588517/UGD/000/D 500000144883		Rev. D
		Type TB	Number 21349293405XXX		Page 1/1	