

Produktdatenblatt

Art. Nr. 96.032.2053.9

Geräteanschluss RST20i3F S2 M00V BL0

RST20i3 Geräteanschluss M20, 3-polig, Steckerteil in Federkrafttechnik, modular, Anwendung 250/400V, 20A, Kodierfarbe lichtblau, Gehäusefarbe schwarz



Art. Nr.	96.032.2053.9
EAN	4015573983311
Bestelleinheit	100 Stück

Zulassungen

Technische Daten
Hinweis

Hinweis	Fein- und mehrdrähtige Leiter erfordern AderendhülsenLagefixierung durch Abflachung am Gewinde
---------	--

Allgemein

Bemessungsstrom	20 A
Bemessungsspannung	250 V / 400 V
Verschmutzungsgrad	3
Bemessungsstoßspannung	4 kV
Verriegelbar	selbstverriegelnd (mit Werkzeug lösbar)
Codierfarbe / Kontakteinsatz	lichtblau
Polkennzeichnung	1, 2, 3
Farbe des separaten Adapterstücks (falls vorhanden)	schwarz

Anschlussdaten

Anschlussquerschnitt eindrätig mm ² max.	2,5 mm ²
Anschlussquerschnitt eindrätig mm ² min.	0,5 mm ²
Anschlussquerschnitt feindrätig mm ² max.	1,5 mm ²
Anschlussquerschnitt feindrätig mm ² min.	0,5 mm ²
Anschlüsse pro Pol	2
Abisolierlänge	14,5 mm

Ausführung

Ausführung	Stecker
Anschlussart	Federkraftanschluss
Anschluss Gewinde	M20
Steckrichtung	gerade
Schutzart (IP)	IP66/68 (3m;2h) /IP69
Gehäusewandstärke 2 (min.)	0,5 mm
Gehäusewandstärke (max.)	8 mm

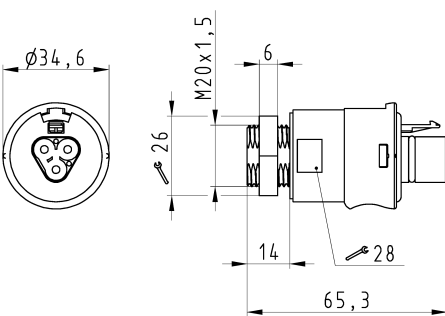
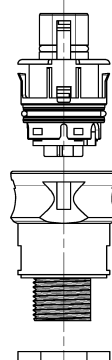
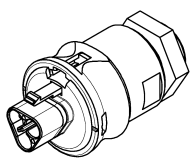
Werkstoff

Werkstoff des Gehäuses	Polyamid
Halogenfrei	ja
Kontaktmaterial	CuZn
Brandlast	0,19 kWh
Isolierteil Dauertemperaturbeständigkeit	100 °C
Oberflächenbehandlung	versilbert

Abmessungen

Länge	65,3 mm
Breite	35 mm
Höhe	35 mm

Technische Zeichnung

 <p style="font-size: small;">These dimensions are for reference only. They are not intended to be used for manufacturing. For detailed dimensions, please refer to the drawing of the part.</p> <p style="font-size: small;">These dimensions are for reference only. They are not intended to be used for manufacturing. For detailed dimensions, please refer to the drawing of the part.</p>	<p style="text-align: center;">Auslieferungszustand delivery status</p>   <p style="text-align: center;">Verpackungseinheit: je 100 Stück packaging unit: per 100</p>																											
<p>Deffnungsmassbild siehe 96.031.2053.1 14K opening dimension see 96.031.2053.1 14K</p>	<table border="1" style="width: 100%; border-collapse: collapse;"> <tr> <td>96.032.2053.9</td> <td>RS12013F S2 MOV BL07</td> <td>lichtblau /light blue</td> </tr> <tr> <td>Bestellnummer /Order number</td> <td>Typ /Type</td> <td>Farbe /Color</td> </tr> <tr> <td colspan="3" style="text-align: center;"> Weitere Daten siehe KATALOG oder eCatalog. Additional data see CATALOG or eCatalog. www.wieland-electric.com eshop@wieland-electric.com </td> </tr> <tr> <td colspan="3" style="font-size: x-small;"> Toleranzierung Size ISO 11468 (Toleranz system Size ISO 11468) / Tolerance system Size ISO 11468 (Tolerance system Size ISO 11468) / Tolerance system Size ISO 11468 (Tolerance system Size ISO 11468) (This ISO-standard describes the envelope principle. According to the envelope principle the deviations of form and position are limited by the size tolerances.) / (This ISO-standard describes the envelope principle. According to the envelope principle the deviations of form and position are limited by the size tolerances.) / (This ISO-standard describes the envelope principle. According to the envelope principle the deviations of form and position are limited by the size tolerances.) (This ISO-standard describes the envelope principle. According to the envelope principle the deviations of form and position are limited by the size tolerances.) / (This ISO-standard describes the envelope principle. According to the envelope principle the deviations of form and position are limited by the size tolerances.) / (This ISO-standard describes the envelope principle. According to the envelope principle the deviations of form and position are limited by the size tolerances.) </td> </tr> <tr> <td colspan="3" style="font-size: x-small;"> Zeichnung: kein metallischer Andruck / Drawing: no metal impression / Zeichnung: kein metallischer Andruck / Drawing: no metal impression CAD - drawing, no metal impressions allowed / CAD - drawing, no metal impressions allowed / CAD - drawing, no metal impressions allowed / Drawing: no metal impressions allowed Zeichnung: kein metallischer Andruck / Drawing: no metal impression / Zeichnung: kein metallischer Andruck / Drawing: no metal impression CAD - drawing, no metal impressions allowed / CAD - drawing, no metal impressions allowed / CAD - drawing, no metal impressions allowed / Drawing: no metal impressions allowed </td> </tr> <tr> <td colspan="3" style="font-size: x-small;"> Maßstab: 1 mm / Scale: 1 mm / Maßstab: 1 mm / Scale: 1 mm Maß: in mm / Dimensions are in mm / Maß: in mm / Dimensions are in mm Maß: in mm / Dimensions are in mm / Maß: in mm / Dimensions are in mm </td> </tr> <tr> <td colspan="3" style="font-size: x-small;"> Werkstoff/Material: 2015 / Tag/Date: 21.07. / Name: / Zeichnung Nr./Drawing No.: 96.032.2053.9 13K / Index: / Material: 2015 / Tag/Date: 21.07. / Name: / Zeichnung Nr./Drawing No.: 96.032.2053.9 13K / Index: / Material: 2015 / Tag/Date: 21.07. / Name: / Zeichnung Nr./Drawing No.: 96.032.2053.9 13K / Index: / Material: 2015 / Tag/Date: 21.07. / Name: / Zeichnung Nr./Drawing No.: 96.032.2053.9 13K / Index: / </td> </tr> <tr> <td colspan="3" style="font-size: x-small;"> Vol.: / Typ: / Bezeichnung/Title: STECKERTEIL male connector / Vol.: / Typ: / Bezeichnung/Title: STECKERTEIL male connector / Vol.: / Typ: / Bezeichnung/Title: STECKERTEIL male connector / Vol.: / Typ: / Bezeichnung/Title: STECKERTEIL male connector / </td> </tr> <tr> <td colspan="3" style="font-size: x-small;"> www.wieland-electric.com / www.wieland-electric.com / www.wieland-electric.com / www.wieland-electric.com www.wieland-electric.com / www.wieland-electric.com / www.wieland-electric.com / www.wieland-electric.com www.wieland-electric.com / www.wieland-electric.com / www.wieland-electric.com / www.wieland-electric.com www.wieland-electric.com / www.wieland-electric.com / www.wieland-electric.com / www.wieland-electric.com </td> </tr> </table>	96.032.2053.9	RS12013F S2 MOV BL07	lichtblau /light blue	Bestellnummer /Order number	Typ /Type	Farbe /Color	Weitere Daten siehe KATALOG oder eCatalog. Additional data see CATALOG or eCatalog. www.wieland-electric.com eshop@wieland-electric.com			Toleranzierung Size ISO 11468 (Toleranz system Size ISO 11468) / Tolerance system Size ISO 11468 (Tolerance system Size ISO 11468) / Tolerance system Size ISO 11468 (Tolerance system Size ISO 11468) (This ISO-standard describes the envelope principle. According to the envelope principle the deviations of form and position are limited by the size tolerances.) / (This ISO-standard describes the envelope principle. According to the envelope principle the deviations of form and position are limited by the size tolerances.) / (This ISO-standard describes the envelope principle. According to the envelope principle the deviations of form and position are limited by the size tolerances.) (This ISO-standard describes the envelope principle. According to the envelope principle the deviations of form and position are limited by the size tolerances.) / (This ISO-standard describes the envelope principle. According to the envelope principle the deviations of form and position are limited by the size tolerances.) / (This ISO-standard describes the envelope principle. According to the envelope principle the deviations of form and position are limited by the size tolerances.)			Zeichnung: kein metallischer Andruck / Drawing: no metal impression / Zeichnung: kein metallischer Andruck / Drawing: no metal impression CAD - drawing, no metal impressions allowed / CAD - drawing, no metal impressions allowed / CAD - drawing, no metal impressions allowed / Drawing: no metal impressions allowed Zeichnung: kein metallischer Andruck / Drawing: no metal impression / Zeichnung: kein metallischer Andruck / Drawing: no metal impression CAD - drawing, no metal impressions allowed / CAD - drawing, no metal impressions allowed / CAD - drawing, no metal impressions allowed / Drawing: no metal impressions allowed			Maßstab: 1 mm / Scale: 1 mm / Maßstab: 1 mm / Scale: 1 mm Maß: in mm / Dimensions are in mm / Maß: in mm / Dimensions are in mm Maß: in mm / Dimensions are in mm / Maß: in mm / Dimensions are in mm			Werkstoff/Material: 2015 / Tag/Date: 21.07. / Name: / Zeichnung Nr./Drawing No.: 96.032.2053.9 13K / Index: / Material: 2015 / Tag/Date: 21.07. / Name: / Zeichnung Nr./Drawing No.: 96.032.2053.9 13K / Index: / Material: 2015 / Tag/Date: 21.07. / Name: / Zeichnung Nr./Drawing No.: 96.032.2053.9 13K / Index: / Material: 2015 / Tag/Date: 21.07. / Name: / Zeichnung Nr./Drawing No.: 96.032.2053.9 13K / Index: /			Vol.: / Typ: / Bezeichnung/Title: STECKERTEIL male connector / Vol.: / Typ: / Bezeichnung/Title: STECKERTEIL male connector / Vol.: / Typ: / Bezeichnung/Title: STECKERTEIL male connector / Vol.: / Typ: / Bezeichnung/Title: STECKERTEIL male connector /			www.wieland-electric.com / www.wieland-electric.com / www.wieland-electric.com / www.wieland-electric.com www.wieland-electric.com / www.wieland-electric.com / www.wieland-electric.com / www.wieland-electric.com www.wieland-electric.com / www.wieland-electric.com / www.wieland-electric.com / www.wieland-electric.com www.wieland-electric.com / www.wieland-electric.com / www.wieland-electric.com / www.wieland-electric.com		
96.032.2053.9	RS12013F S2 MOV BL07	lichtblau /light blue																										
Bestellnummer /Order number	Typ /Type	Farbe /Color																										
Weitere Daten siehe KATALOG oder eCatalog. Additional data see CATALOG or eCatalog. www.wieland-electric.com eshop@wieland-electric.com																												
Toleranzierung Size ISO 11468 (Toleranz system Size ISO 11468) / Tolerance system Size ISO 11468 (Tolerance system Size ISO 11468) / Tolerance system Size ISO 11468 (Tolerance system Size ISO 11468) (This ISO-standard describes the envelope principle. According to the envelope principle the deviations of form and position are limited by the size tolerances.) / (This ISO-standard describes the envelope principle. According to the envelope principle the deviations of form and position are limited by the size tolerances.) / (This ISO-standard describes the envelope principle. According to the envelope principle the deviations of form and position are limited by the size tolerances.) (This ISO-standard describes the envelope principle. According to the envelope principle the deviations of form and position are limited by the size tolerances.) / (This ISO-standard describes the envelope principle. According to the envelope principle the deviations of form and position are limited by the size tolerances.) / (This ISO-standard describes the envelope principle. According to the envelope principle the deviations of form and position are limited by the size tolerances.)																												
Zeichnung: kein metallischer Andruck / Drawing: no metal impression / Zeichnung: kein metallischer Andruck / Drawing: no metal impression CAD - drawing, no metal impressions allowed / CAD - drawing, no metal impressions allowed / CAD - drawing, no metal impressions allowed / Drawing: no metal impressions allowed Zeichnung: kein metallischer Andruck / Drawing: no metal impression / Zeichnung: kein metallischer Andruck / Drawing: no metal impression CAD - drawing, no metal impressions allowed / CAD - drawing, no metal impressions allowed / CAD - drawing, no metal impressions allowed / Drawing: no metal impressions allowed																												
Maßstab: 1 mm / Scale: 1 mm / Maßstab: 1 mm / Scale: 1 mm Maß: in mm / Dimensions are in mm / Maß: in mm / Dimensions are in mm Maß: in mm / Dimensions are in mm / Maß: in mm / Dimensions are in mm																												
Werkstoff/Material: 2015 / Tag/Date: 21.07. / Name: / Zeichnung Nr./Drawing No.: 96.032.2053.9 13K / Index: / Material: 2015 / Tag/Date: 21.07. / Name: / Zeichnung Nr./Drawing No.: 96.032.2053.9 13K / Index: / Material: 2015 / Tag/Date: 21.07. / Name: / Zeichnung Nr./Drawing No.: 96.032.2053.9 13K / Index: / Material: 2015 / Tag/Date: 21.07. / Name: / Zeichnung Nr./Drawing No.: 96.032.2053.9 13K / Index: /																												
Vol.: / Typ: / Bezeichnung/Title: STECKERTEIL male connector / Vol.: / Typ: / Bezeichnung/Title: STECKERTEIL male connector / Vol.: / Typ: / Bezeichnung/Title: STECKERTEIL male connector / Vol.: / Typ: / Bezeichnung/Title: STECKERTEIL male connector /																												
www.wieland-electric.com / www.wieland-electric.com / www.wieland-electric.com / www.wieland-electric.com www.wieland-electric.com / www.wieland-electric.com / www.wieland-electric.com / www.wieland-electric.com www.wieland-electric.com / www.wieland-electric.com / www.wieland-electric.com / www.wieland-electric.com www.wieland-electric.com / www.wieland-electric.com / www.wieland-electric.com / www.wieland-electric.com																												