

## Panel mounting socket outlet - flange 100x92, fixing centers 85x77, angled execution

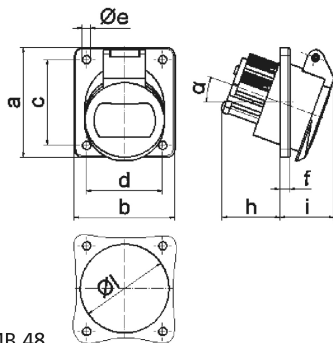


Product description	
BALS-Prd.-Nr	4232
EAN	4024941042321
Product category	Panel mounting socket Outlet, extra-low voltage, angled
Current	16A
Number of poles	3p
Poles	3P
Position of earth contact	3 h
Voltage	20 up to 25 and 40 up to 50V

Product description	
Frequency	400Hz
Protection degree	IP44
Colour code	green RAL 6002
Colour of appliance	Hinged lid green RAL 6002, Enclosure grey RAL 7035
Connection design	with screw terminal
Maximum conductor size	10,0 qmm
Cable entry	other
Height	100mm
Width	92mm
Depth	70mm
Flange size vertical	100mm
Flange size horizontal	92mm
Drill hole distance vertical	85mm
Drill hole distance horizontal	77mm
Material of enclosure	Polyamide
Contact	The contact carrier is made of polyamide, the contacts are brass nickel plated

Additional technical properties	
	The inclination is 20°

Logistics data	
Weight/pcs	0.165 kg / Piece
Packaging	Carton
Content amount	10 ST
EAN	4024941837187
Length	245 mm
Width	177 mm
Height	185 mm
Weight	1.783 kg
Volume	7,140 ccm



16 MB 48

Ampere Polzahl	16 2	16 3	32 2	32 3
a	100,0	100,0	100,0	100,0
b	92,0	92,0	92,0	92,0
c	85,0	85,0	85,0	85,0
d	77,0	77,0	77,0	77,0
e ø	5,2	5,2	5,2	5,2
f	6,0	6,0	6,0	6,0
h	36,0	36,0	36,0	36,0
i	35,0	35,0	35,0	35,0
α	20°	20°	20°	20°
l ø	55,0	55,0	55,0	55,0
Leiter mm <sup>2</sup> min	4	4	4	4
Leiter mm <sup>2</sup> max	10	10	10	10