

# Wall mounting socket outlet - INNOLINQ lead-free, with QUICK-CONNECT



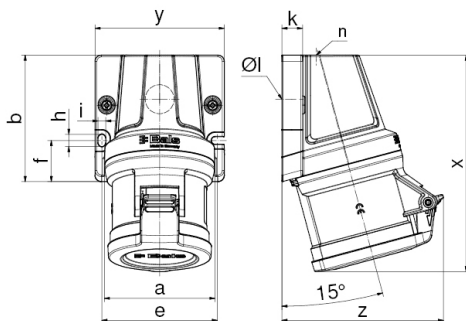
| Product description       |   |
|---------------------------|---|
| BALS-Prd.-Nr              | 110635                                  |
| EAN                       | 4024941924788                           |
| Product category          | Wall mounting socket outlet INNOLINQ QC |
| Current                   | 32A                                     |
| Number of poles           | 5p                                      |
| Arrangement of phases     | 3p+N+PE                                 |
| Position of earth contact | 6 h                                     |
| Voltage                   | 200/346 - 240/415V~                     |

| Product description    |   |
|------------------------|---|
| Frequency              | 50/60Hz   |
| Protection degree      | IP44  |
| Colour code            | red RAL 3000  |
| Colour of appliance    | Hinged lid dark grey RAL 7012, Collar red RAL 3000, Housing top dark grey RAL 7012, Housing bottom dark grey RAL 7012 |
| Connection design      | screwless spring terminals with KONTEX-ULTRA contact  |
| Maximum conductor size | 10,0 qmm  |
| Cable entry            | M32   |
| Height                 | 158mm   |
| Width                  | 94mm  |
| Depth                  | 118mm   |
| Dimension of enclosure | 92x94 mm (HxW)  |
| Material of enclosure  | Polyamide   |
| Contacts               | The contacts are brass, The contact carrier is made of high temperature resistant material                            |

| Additional technical properties |   |
|---------------------------------|---|
|                                 | The cable entry is one at top open and one at bottom closed, This product is without any lead |

| Logistics data |                  |
|----------------|------------------|
| Weight/pcs     | 0.353 kg / Piece |
| Packaging      | Bag              |

| Logistics data |               |
|----------------|---------------|
| Content amount | 1 ST          |
| EAN            | 4024941924788 |
| Length         | 118 mm        |
| Width          | 94 mm         |
| Height         | 158 mm        |
| Weight         | 0.354 kg      |
| Volume         | 1,752.536 ccm |
| Packaging      | Carton        |
| Content amount | 10 ST         |
| EAN            | 4024941924795 |
| Length         | 325 mm        |
| Width          | 217 mm        |
| Height         | 210 mm        |
| Weight         | 3.736 kg      |
| Volume         | 13,588.4 ccm  |



| Ampere                    | 16    | 32    | 32    | 32    |
|---------------------------|-------|-------|-------|-------|
| Polzahl                   | 5     | 3     | 4     | 5     |
| a                         | 80,0  | 80,0  | 80,0  | 80,0  |
| b                         | 92,0  | 92,0  | 92,0  | 92,0  |
| e                         | 84,0  | 84,0  | 84,0  | 84,0  |
| f                         | 30,0  | 30,0  | 30,0  | 30,0  |
| h                         | 9,0   | 9,0   | 9,0   | 9,0   |
| i                         | 5,5   | 5,5   | 5,5   | 5,5   |
| k                         | 15,0  | 15,0  | 15,0  | 15,0  |
| Øl                        | 21,0  | 21,0  | 21,0  | 21,0  |
| n                         | M32   | M32   | M32   | M32   |
| x                         | 145,0 | 157,0 | 157,0 | 158,0 |
| y                         | 94,0  | 94,0  | 94,0  | 94,0  |
| z                         | 114,0 | 112,0 | 112,0 | 118,0 |
| Cond. mm <sup>2</sup> min | 1,0   | 2,5   | 2,5   | 2,5   |
| Cond. mm <sup>2</sup> max | 4,0   | 10,0  | 10,0  | 10,0  |

