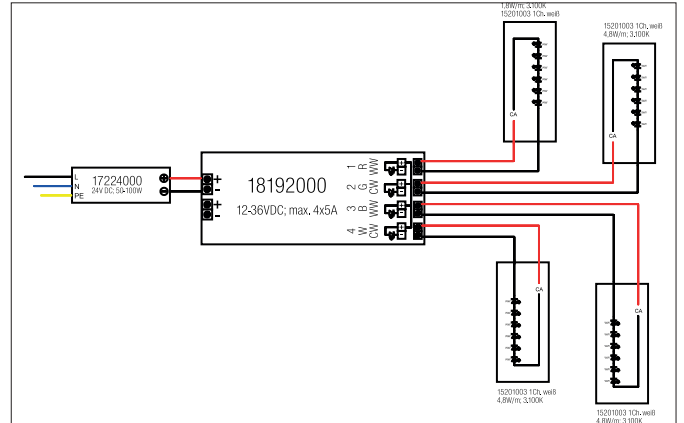


White light radio remote control for 18192000
 Article no. 18199000

Light.
 For Generations.



Tender
 White light radio remote control for 18192000. White light radio remote control for controlling the one-color LED modules in the white light range or for controlling dim2warm flexible printed circuit boards 15312003 / 15362003. Voltage (battery): 4.5 V DC - 3 x AAA (not included in the scope of delivery), Radio frequency: 869.5 MHz, transmission power (Ps) <, 0 dBm, Range (visual contact): up to 20 m, Ambient temperature (ta): 0 °C to +40 °C,(Dimensions: L 140 x W 48 x H 17 mm. Material: Plastic, delivery including a wall bracket. Function scope:- On / Off- Dimming using a touch wheel - Save keys S1 to S6- Selection keys 25% / 50% / 75% / 100% brightness- Controller selection keys for zones 1 to 6 Compatible with the radio master controller 18192000, Please refer to the product description for other functions. Degree of protection: according to DIN EN 60529 IP20.

Article data	
Article no.	18199000
GTIN	4251433922513
Short description	White light radio remote control for 18192000
Material	Plastic
Weight	0.062 kg

White light radio remote control for 18192000

Article no. 18199000

Light.
For Generations.

Packing data	
Gross weight	0.1 kg
Length of packaging	145 mm
Packaging width	50 mm
Packaging height	25 mm
Disposal at end of life	<p>This product must not be disposed of with household waste. You are obliged, to dispose of such electrical waste separately.</p> <p>By disposing of electrical waste and other old or defective electronics separately, you support recycling or other forms of re-use. In that way you help to take care and to avoid that harmful substances get into the environment.</p>