

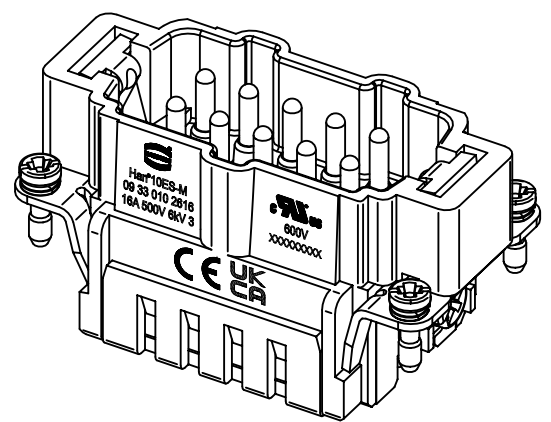
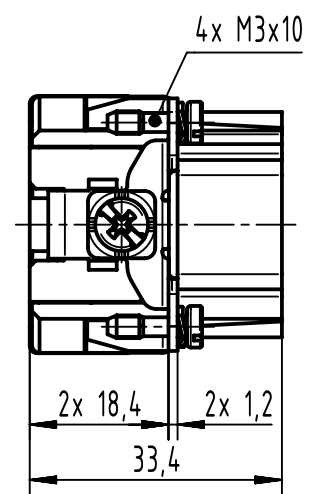
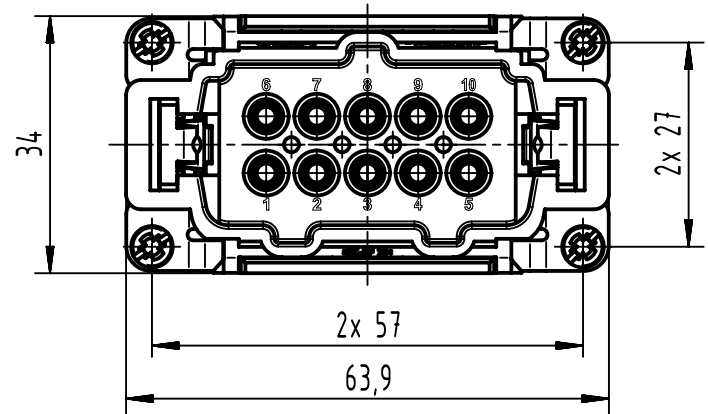
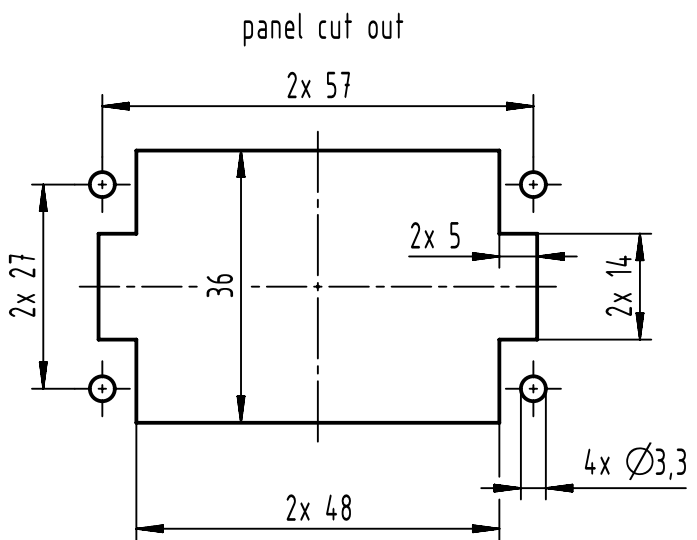
1 2 3 4 5 6

A

B

C

D



	All Dimensions in mm Original Size DIN A4		Scale 1:1	Free size tol.		Ref.	
						Sub.	
	All rights reserved		Created by SPRENB	Inspected by SCHNIEDER	Standardisation SAP_WFRT	Date 2022-06-23	
	Department EL PD					State Final Release	
HARTING			Title Han 10ES-M			Doc-Key / ECM-Nr. 100185676/UGD/005/D 500000218534	
D-32339 Espelkamp			Type TB	Number 09 33 010 2616			
						Rev. D	Page 1/1