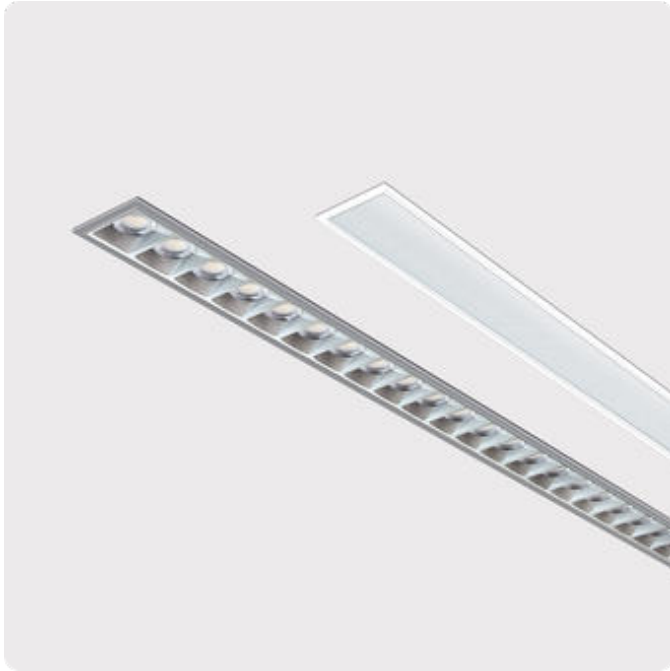


## Matric-F5

Recessed mounted light line, mounting brackets incl - Direct light distribution

Article code: LF5GEE-830H-L1198



Illustrations may only be similar and serve as an orientation.

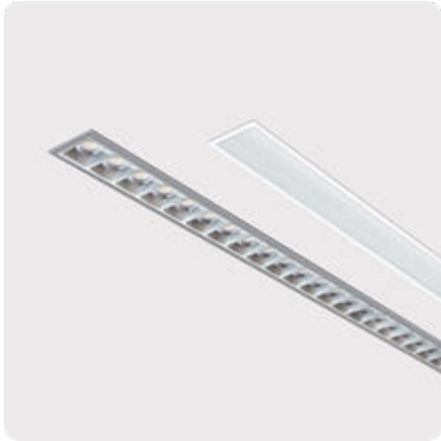
Matric-F5. LED. Recessed mounted light line with surrounding frame for installation in sawn wall and ceiling with cut-out openings. Mounting brackets included. Luminaire body made of high-quality aluminum profile. Surface finish Silver Anodised. Direct only light distribution. Colour temperature: 3000K (Warm White). Colour Rendering Index (CRI): >80. Wall-Washer for asymmetrical light distribution. Switchable. LxWxH (rectangular). L=

1198mm. W=100mm. H=90mm. High-power current. 2207lm. 27W. 4,1kg. Binning initial <= MacAdam 3. IP20. Protection class I. CE, UKCA marking. Prüfzeichen: ENEC. IK02. 220-240V. 50-60 Hz. RG0 (EN62471). Luminous flux reduction up to 0,4%/1.000 operating hours. Nominal failure rate: 0,2%/1.000 operating hours. L80B10 (tq 25°C) = 50.000h. 5 years warranty. Manufacturer: Lightnet GmbH, ISO 9001:2015 and 50001:2018 certified.

## Matric-F5

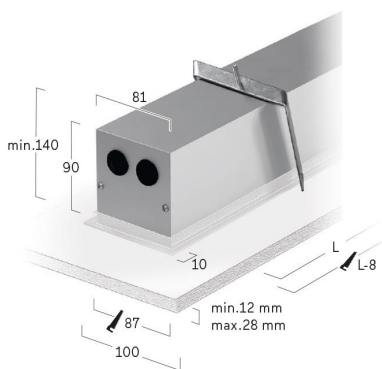
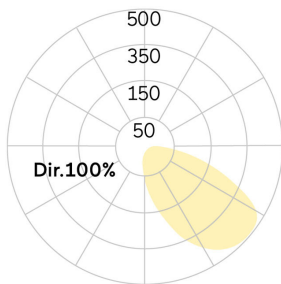
Recessed mounted light line, mounting brackets  
incl - Direct light distribution

Article code: LF5GEE-830H-L1198



Customer / Project: \_\_\_\_\_

Note: \_\_\_\_\_



Productname	Matric-F5
Lamp	LED
Installation Type	Recessed mounted light line, mounting brackets incl
Surface finish	Silver Anodised
Light characteristics	Direct light distribution
Colour temperature	3000K
Colour Rendering Index (CRI)	CRI>80
Optical system	Wall-Washer
Control	Switchable
Length L/Diameter D (mm)	L=1198mm
Width W (mm)	W=100mm
Height H (mm)	H=90mm
Current/Power	High-Power
Luminous Flux	2207lm
Power consumption	27W
Degree of protection	IP20
Certification	Prüfzeichen: ENEC
LED lifetime	L80B10 (tq 25°C) = 50.000h
Photometric code	8 30 / 3 3 9
Photobiological class	RG0 (EN62471)
Indoor/Outdoor	Indoor: ta [ambient] max. 25°C
Weight (kg)	4,1kg

