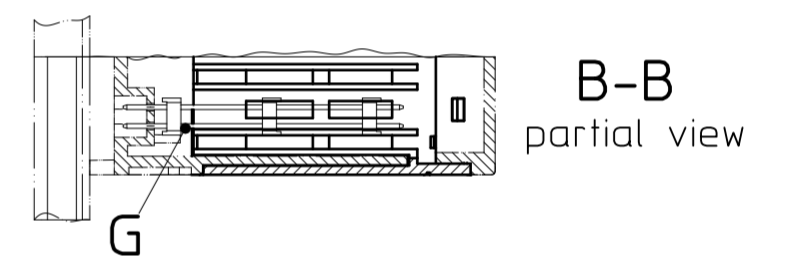
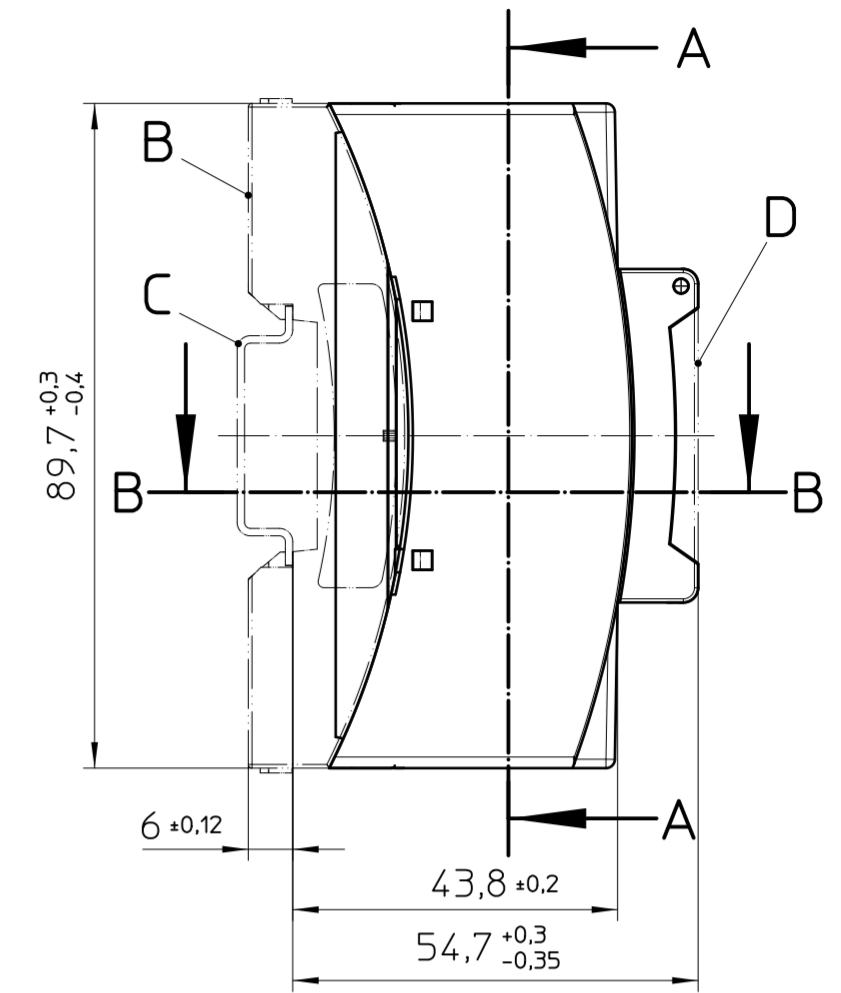
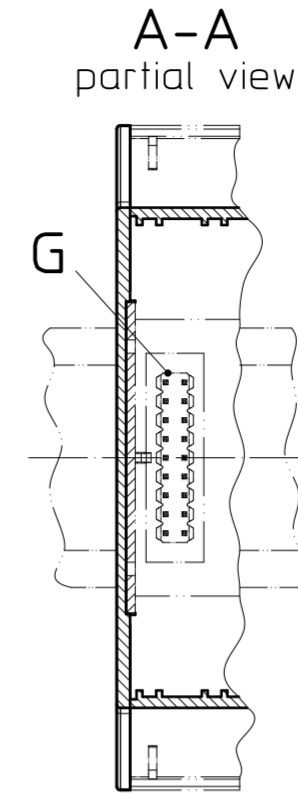
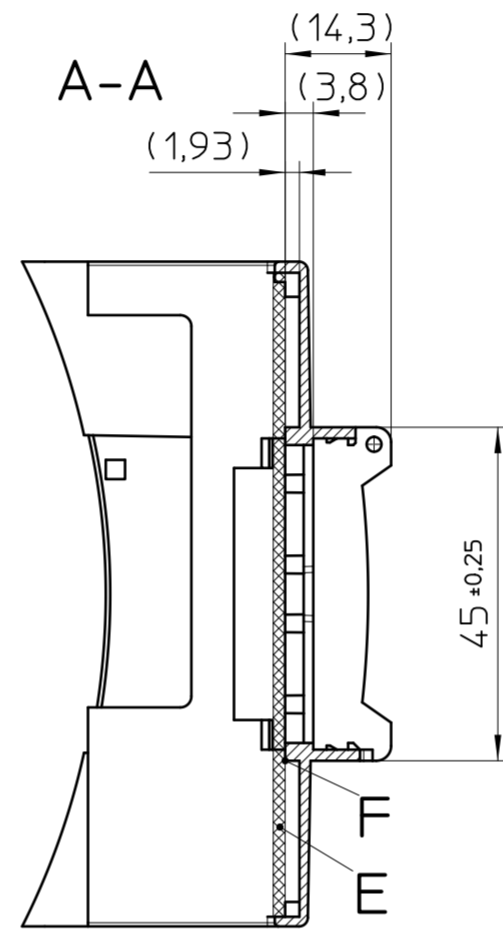
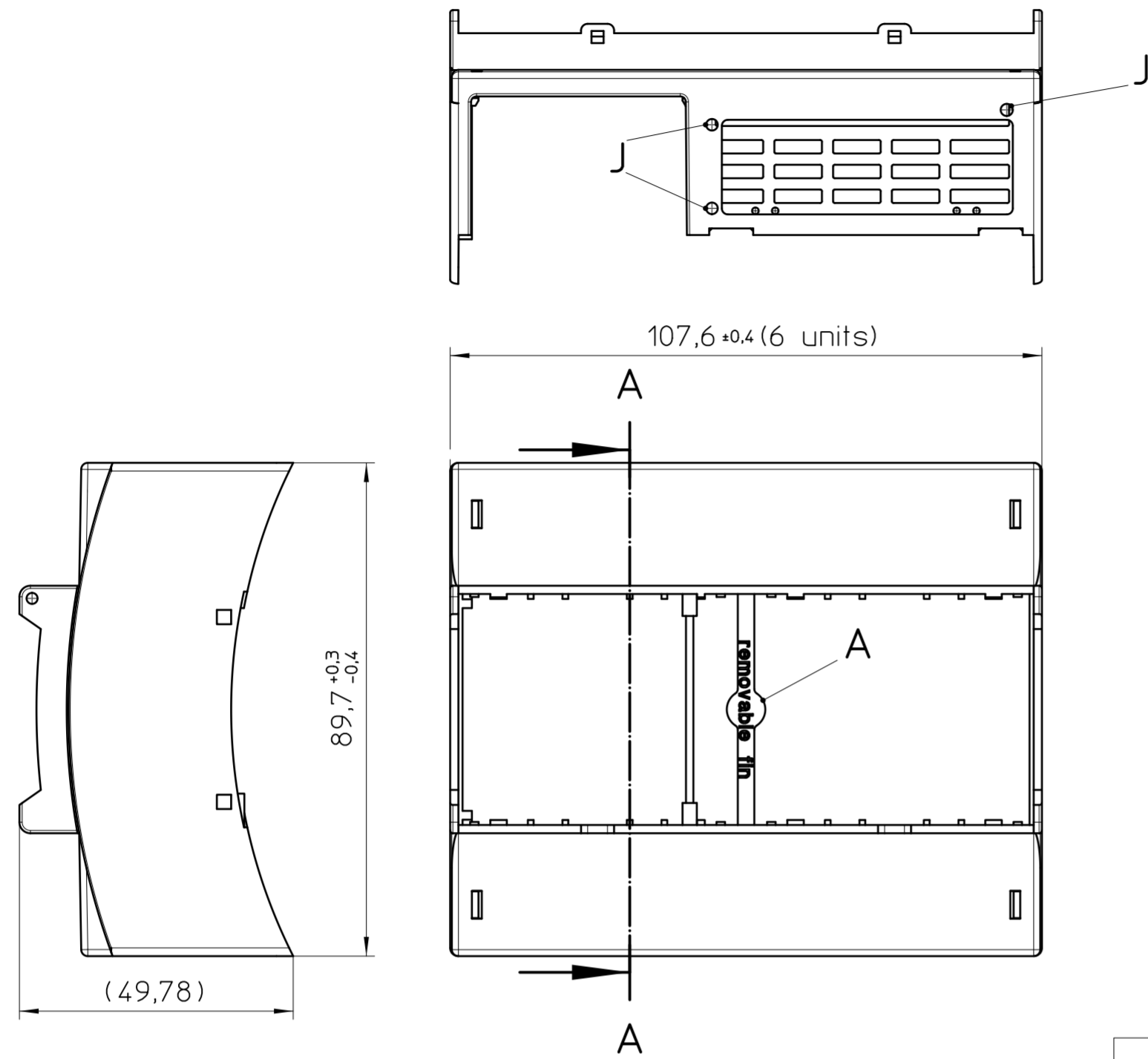


# HOUSING UPPER PART: RPI HS BC 107,6

# Assembly example

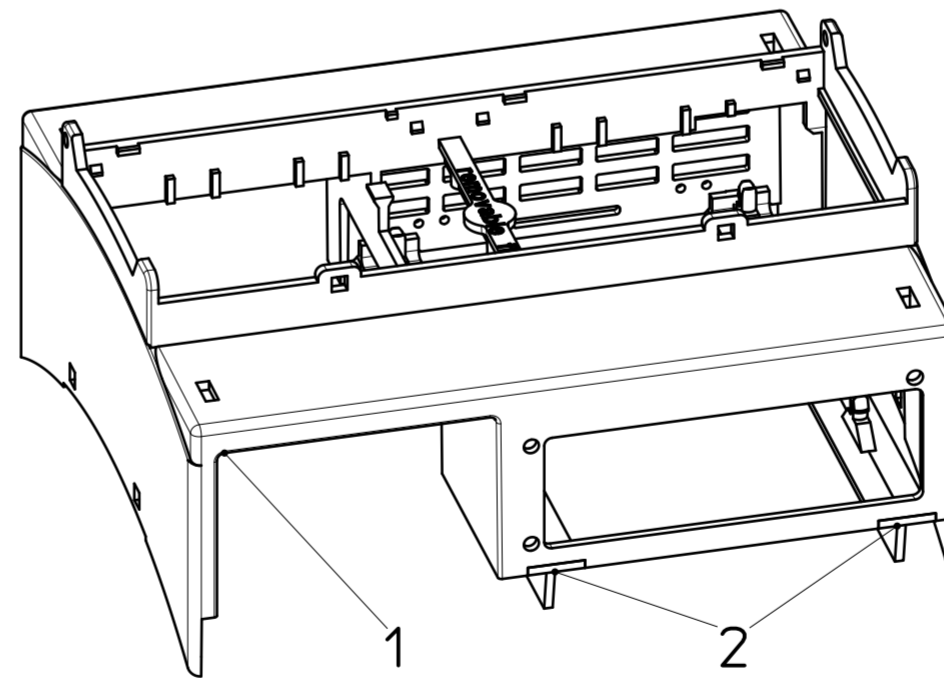
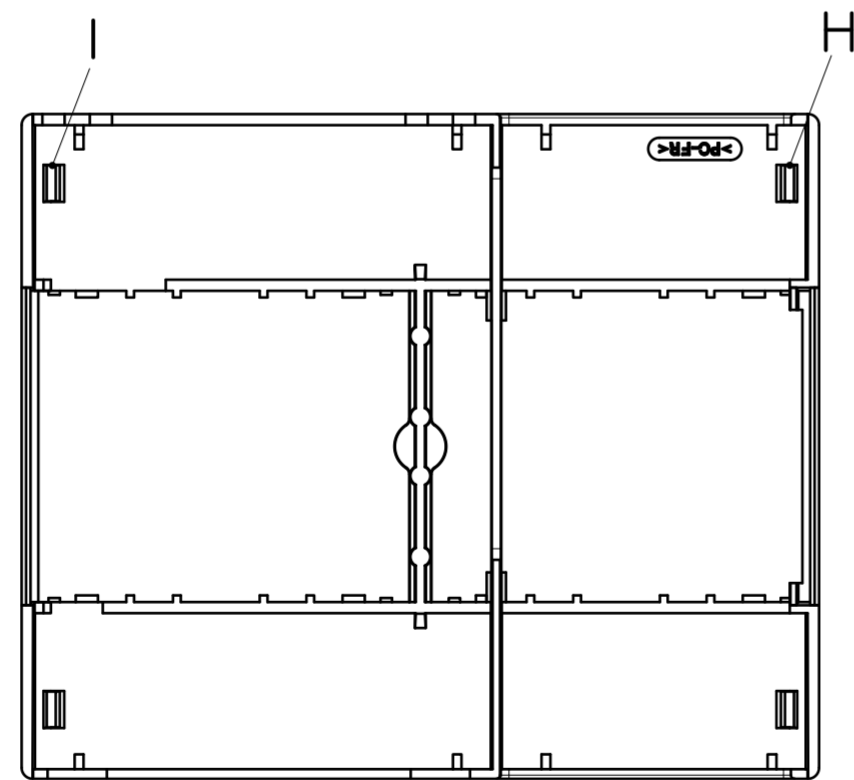
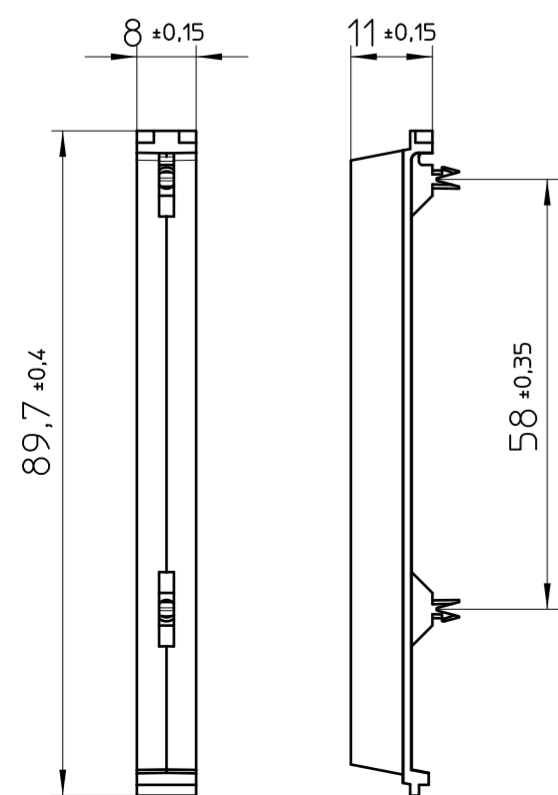
Overall dimensions compliant DIN 43880



Transfer or duplication of this document as well as the utilisation or communication of its content are not permitted unless express consent is granted. Violations give rise to claims for damages. All rights reserved in case of patent, utility model or design patent registrations.

Weitergabe sowie Vervielfältigung dieses Dokuments, Verwertung und Mitteilung seines Inhalts sind verboten, soweit nicht ausdrücklich gestattet. Zuwiderhandlungen verpflichten zu Schadensersatz. Alle Rechte für den Fall der Patent-, Gebrauchsmuster- oder Designeintragung vorbehalten.

## PCB HOLDER



### General Information:

- Simplified representation
- Document excluded from change process
- Linear dimensions [mm]
- Tolerances apply in a normale climate according to DIN 50014-23/50-2.
- Further information: [www.phoenixcontact.com](http://www.phoenixcontact.com) webcode: #0664

- A. Removeable fin
- B. Housing lower part (BC 107,6 UT HBUS)
- C. Mounting rail like EN 60715: TH 35-7,5 or mounting rail TH 35-15x1,5 similar to EN 60715
- D. Cover
- E. PCB
- F. Position PCB Ext and PCB Int
- G. Plug for HBUS (PSTD 0,65X0,65/18-3IS-2,54)
- H. Latching for PCB (RPI-BC EXT-PCB HBUS SET)
- I. Latching for PCB (RPI-BC INT-PCB SET)
- J. Mounting holes for RPI-BC A+-ADAPTER

### KIT

#### RPI-BC 107,6 DEV-KIT P10

Pos.	QTY	Description
1	1	HOUSING UPPER PART
2	2	PCB Holder

	document-No. / RI	date	scale
	00911685 / 04	23.04.2025	1:1
	ident.-No.	document-type	
	1227311	TECDOC 2D_Productdrawing	
page 1	of 1	description	
		RPI-BC 107,6 DEV-KIT BK P10	