

## Wall mounting socket outlet, switched, interlocked - housing dimensions 225x118

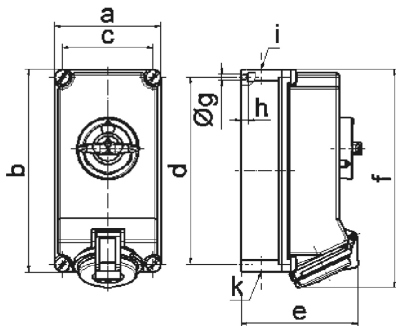


Product description	
BALS-Prd.-Nr	16066
EAN	4024941160667
product category (PG)	GT wall mounting socket outlet, switched, interlocked
current (A)	32A
number of poles (P99)	4p
number of poles (P)	3P+PE
position of earth contact (H)	7 h
voltage (V)	480 up to 500V

Product description	
frequency (HZ)	50 and 60Hz
protection degree (SA)	IP44
colour code 1 (KF1)	black RAL 9005
Colour of appliance	Hinged lid black RAL 9005, Housing screws grey RAL 7035, Housing bottom grey RAL 7035, Housing top grey RAL 7035, Control knob grey RAL 7035
connection design (AT)	screwless spring terminals as cage clamp with Kontex-contact
maximum conductor size (LQ)	10,0 qmm
cable entry (KE)	top entry M25/M25 bottom entry M25
Height	251mm
Width	118mm
Depth	137mm
dimension of enclosure (GG)	225x118 mm (HxW)
material of enclosure (GM)	Polycarbonate
contact	The contact carrier is made of high temperature resistant material, the contacts are brass nickel plated

Additional technical properties	
	The cable entry is one at top open, one at top is closed, and two at bottom are closed
	In 0-position lockable for 3 padlocks with bow diameter up to 7 mm

Logistics data	
Weight/pcs	1.185 kg / Piece
Packaging	Carton
Content amount	1 ST
EAN	4024941160667
Length	275 mm
Width	175 mm
Height	137 mm
Weight	1.31 kg
Volume	5,737.5 ccm



12 MB 24

Ampere	16	16	32	32	32
Polzahl	4	5	3	4	5
a	118,0	118,0	118,0	118,0	118,0
b	225,0	225,0	225,0	225,0	225,0
c	101,0	101,0	101,0	101,0	101,0
d	208,0	208,0	208,0	208,0	208,0
e	126,0	134,0	137,0	137,0	144,0
f	242,0	242,0	251,0	251,0	251,0
g ø	6,5	6,5	6,5	6,5	6,5
h	8,0	8,0	8,0	8,0	8,0
i	2 x M25	2 x M25	2 x M25	2 x M25	2 x M25
k	2 x M25	2 x M25	2 x M25	2 x M25	2 x M25