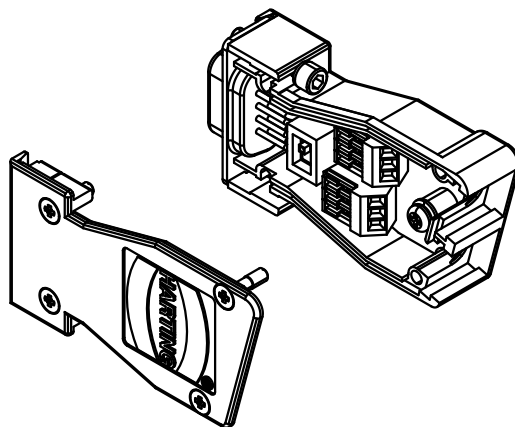
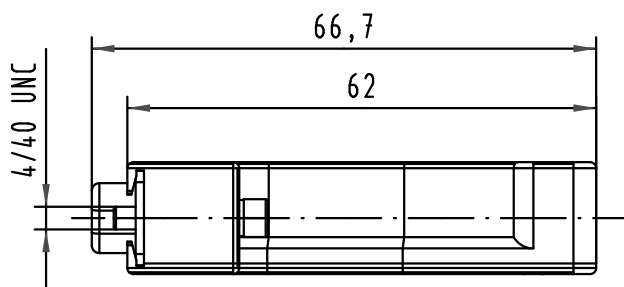
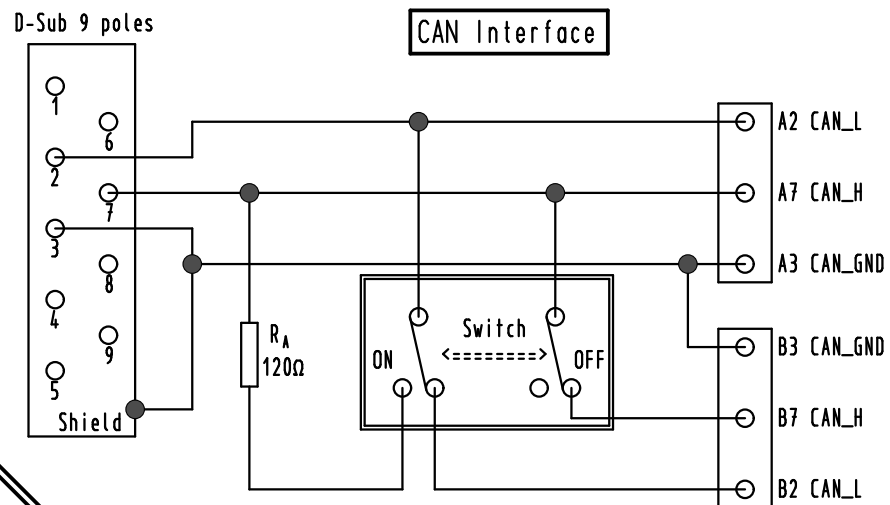
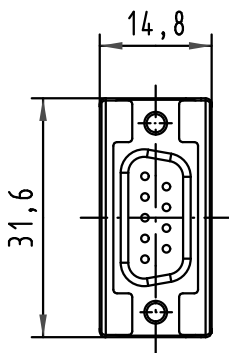
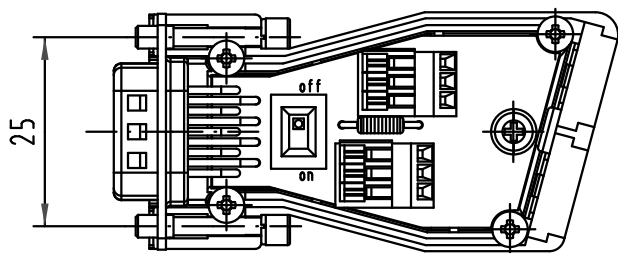


Darstellung ohne Deckel  
view without cover



<p>All Dimensions in mm Original Size DIN A 4</p>	Techn. Character.			Nicht tolerierte Maßel Free size tolerances	
		Dat.	Name	Maßstab/Scale <b>1:1</b>	<b>InduCom 9</b> Male - CAN - 4/40 UNC without clamp accessory
		Detail.	14.06.06 Leh.		
		Insp.			
	Stand.				
36094	14/09/10	BH	HARTING EURL F-95972 Paris		<b>TB 66 63 009 5024</b> Sub.
33622					
Mod.	Dat.	Name			Blatt/ page 1 / 1

66 63 009 5024	PL1
Part number	Performance level