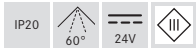
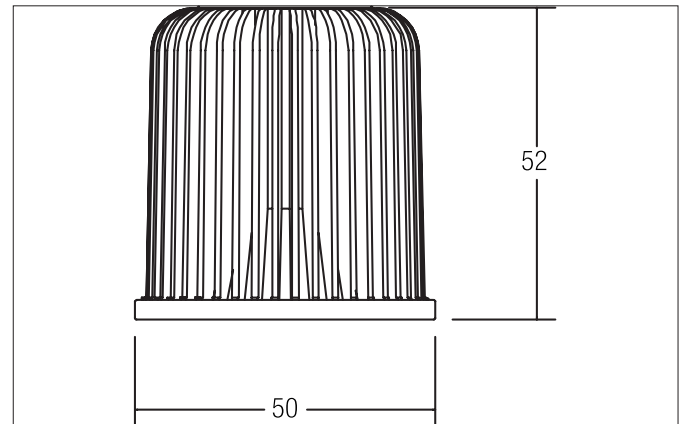


**LED reflector insert MR16, 8 W, dim4colour (RGB+WW)**

Article no. 18438002

Light.  
For Generations.**Tender**

LED reflector insert MR16, 8 W, dim4colour (RGB+WW), Round. RGB+WW module, connecting cable: 5-core, control: negative, common anode (C.A.), light flux: RGB (combined): 165 lm and WW (2850 K): 235 lm, color rendering (WW): CRI > 90 Material: Aluminium / Plastic, Degree of protection: according to DIN EN 60529 IP20, Protection class: (EN 61140) III, Voltage: 24V, Power: 8 W, Amount of light sources / fittings: 1 Qty, Luminous flux : 400 lm, Beam angle: 60°, Control: Depending on driver.

Article data	
Article no.	18438002
GTIN	4251433922926
Short description	LED reflector insert MR16, 8 W, dim4colour (RGB+WW)
Material	Aluminium / Plastic
Shape	Round
Outer diameter	50 mm
Length	0 mm
Hight	50 mm
Weight	0.068 kg

Lighting technology	
Colour temperature	RGB+WW
Luminous flux	400 lm
Colour rendering	CRI > 90
Reflector	High-gloss
Beam angle	60°
Light sharing	Symmetric

**LED reflector insert MR16, 8 W, dim4colour (RGB+WW)**

Article no. 18438002

Light.  
For Generations.

Packing data	
Gross weight	0.08 kg
Length of packaging	53 mm
Packaging width	53 mm
Packaging height	67 mm
Disposal at end of life	This product must not be disposed of with household waste. You are obliged, to dispose of such electrical waste separately. By disposing of electrical waste and other old or defective electronics separately, you support recycling or other forms of re-use. In that way you help to take care and to avoid that harmful substances get into the environment.

Accessories	
A small, white, rectangular LED power supply unit with a label on top and two electrical terminals on the side.	Article no.: 17206000 LED power supply 24 V DC, 1-10 V dimmable (analog) Power: 1 - 20 W Dimensions: 145 mm x 55 mm x 19 mm
A small, white, rectangular LED power supply unit with a label on top and two electrical terminals on the side.	Article no.: 17207000 LED power supply 24 V DC, on/off switchable Power: 1 - 30 W Dimensions: 160 mm x 50 mm x 22 mm