

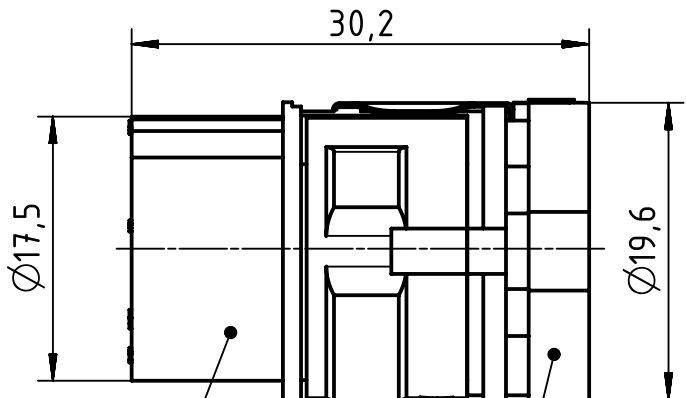
1 2 3 4 5 6

A

B

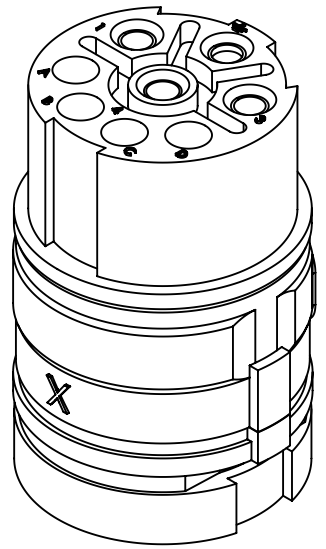
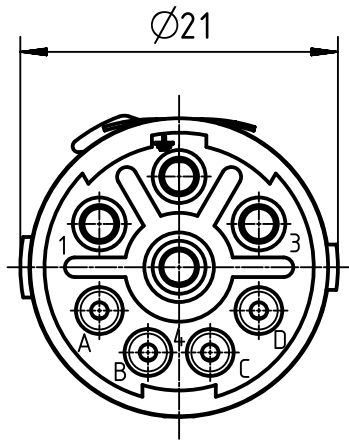
C


D



upper part, female

bottom part, female



	All rights reserved Department EL PD HARTING Electric GmbH & Co. KG D-32339 Espelkamp	All Dimensions in mm Original Size DIN A4	Scale 2:1	Free size tol.	Ref. Sub.
		Created by DYCKC	Inspected by GRUBES	Standardisation TIEMANNA	Date 2019-07-19
Title M23 P 4+3+PE Female -C					Doc-Key / ECM-Nr. 100737272/UGD/000/C 500000155114
		Type TB	Number 09 15 608 3101		Rev. C
					Page 1/1