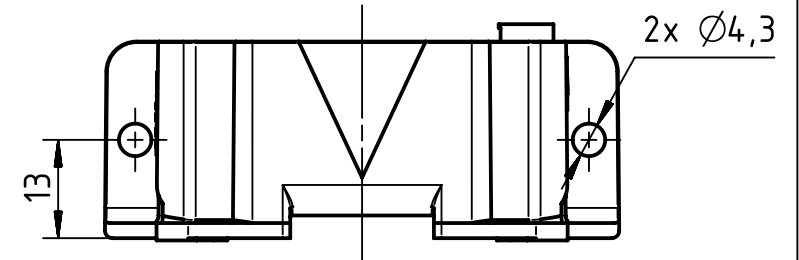
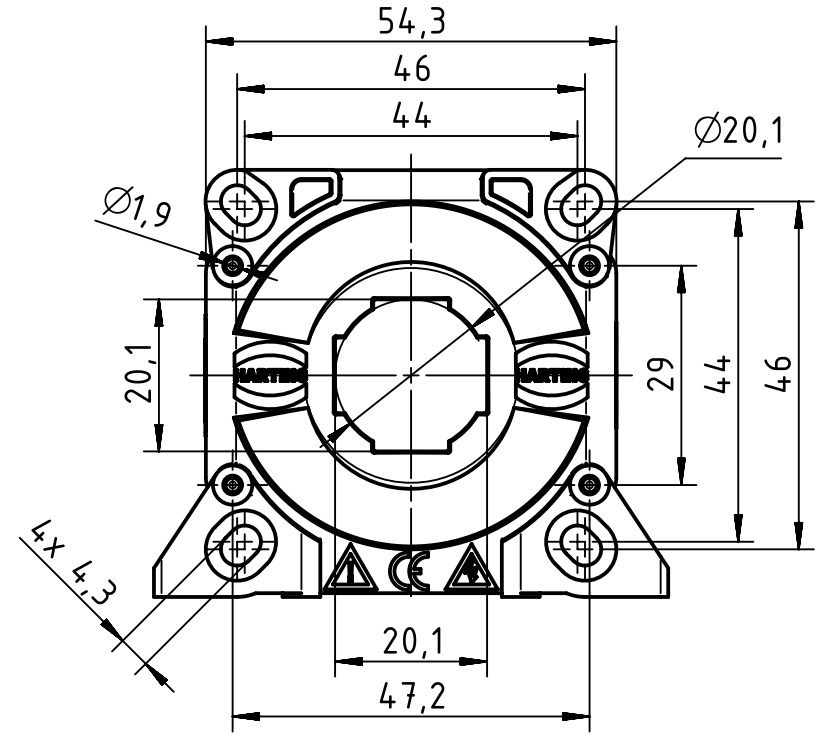
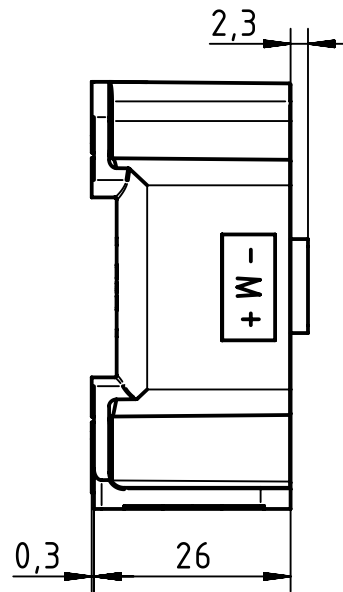
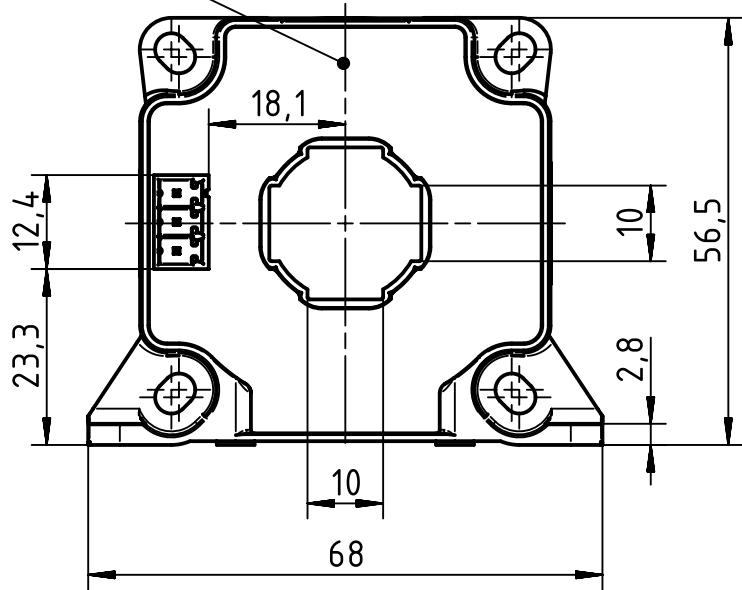
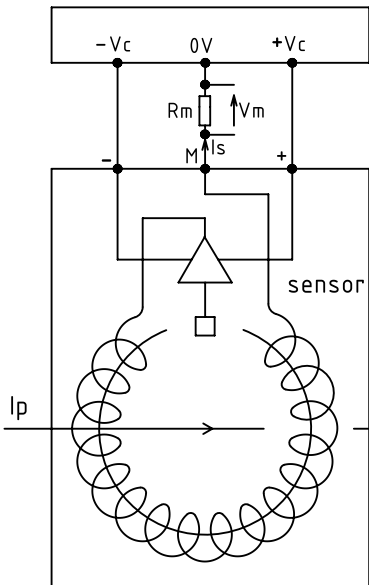


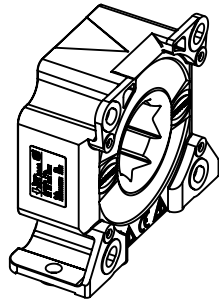
Hall-element position



Spring clamp terminal enclosed separately



(1:2)



	All Dimensions in mm Original Size DIN A4		Scale 1:1	Free size tol.		Ref.	
	All rights reserved Department EL PD - DE		Created by GRUBES	Inspected by TIEMANNA	Standardisation SCHMIDTM	Date 2015-03-24	State Final Release
HARTING Electric GmbH & Co. KG D-32339 Espelkamp			Title Current Sensor 300A small			Doc-Key / ECM-Nr. 100614478/UGD/000/A 500000086253	
			Type TB	Number 20 31 030 0301		Rev. A	Page 1/1