

## Panel mounting socket outlet, TN - flange 75x75, fixing centers 60x60

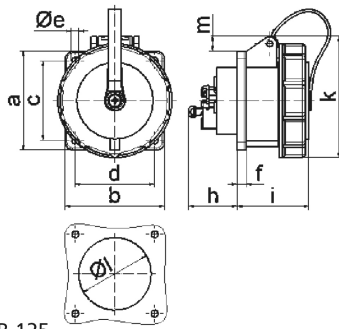


| Product description       |  |
|---------------------------|--|
| BALS-Prd.-Nr              | 13098  |
| EAN                       | 4024941130981  |
| Product category          | TN panel mounting socket outlet Quick-Connect straight |
| Current                   | 16A  |
| Number of poles           | 3p   |
| Poles                     | 2P+PE  |
| Position of earth contact | 2 h  |
| Voltage                   | > 50V  |

| Product description            |  |
|--------------------------------|--|
| Frequency                      | over 300 up to 500Hz   |
| VG-Type-No.:                   | VG 96919 AS 039  |
| Protection degree              | IP67   |
| Colour code                    | bronze-green RAL 6031-F9   |
| Colour of appliance            | Bayonet ring bronze-green RAL 6031-F9, Hinged lid bronze-green RAL 6031-F9, Enclosure bronze-green RAL 6031-F9 |
| Connection design              | screwless spring terminals as cage clamp with Kontex-contact   |
| Maximum conductor size         | 4,0 qmm  |
| Cable entry                    | other  |
| Height                         | 78mm   |
| Width                          | 75mm   |
| Depth                          | 95mm   |
| Flange size vertical           | 75mm   |
| Flange size horizontal         | 75mm   |
| Drill hole distance vertical   | 60mm   |
| Drill hole distance horizontal | 60mm   |
| Material of enclosure          | Polyamide  |
| Contact                        | The contact carrier is made of high temperature resistant material, the contacts are brass nickel plated       |

| Additional technical properties |                             |
|---------------------------------|-----------------------------|
|                                 | With bayonet cover on strap |

| Logistics data |                 |
|----------------|-----------------|
| Weight/pcs     | 0.15 kg / Piece |
| Packaging      | Bag             |
| Content amount | 1 ST            |
| EAN            | 4024941130981   |
| Length         | 95 mm           |
| Width          | 75 mm           |
| Height         | 78 mm           |
| Weight         | 0.151 kg        |
| Volume         | 555.75 ccm      |
| Packaging      | Carton          |
| Content amount | 10 ST           |
| EAN            | 4024941838245   |
| Length         | 245 mm          |
| Width          | 177 mm          |
| Height         | 185 mm          |
| Weight         | 1.633 kg        |
| Volume         | 7,140 ccm       |



4 MB 125

| Ampere<br>Polzahl          | 16<br>3 | 16<br>4 | 16<br>5 | 32<br>3 | 32<br>4 | 32<br>5 |
|----------------------------|---------|---------|---------|---------|---------|---------|
| a                          | 75,0    | 75,0    | 75,0    | 75,0    | 75,0    | 75,0    |
| b                          | 75,0    | 75,0    | 75,0    | 75,0    | 75,0    | 75,0    |
| c                          | 60,0    | 60,0    | 60,0    | 60,0    | 60,0    | 60,0    |
| d                          | 60,0    | 60,0    | 60,0    | 60,0    | 60,0    | 60,0    |
| e ø                        | 5,5     | 5,5     | 5,5     | 5,5     | 5,5     | 5,5     |
| f                          | 7,0     | 7,0     | 7,0     | 8,0     | 8,0     | 8,0     |
| h                          | 35,0    | 35,0    | 35,0    | 50,0    | 50,0    | 50,0    |
| i                          | 57,0    | 57,0    | 57,0    | 69,0    | 69,0    | 69,0    |
| k                          | 77,0    | 83,0    | 93,0    | 98,0    | 98,0    | 107,0   |
| l ø                        | 45,0    | 75,0    | 55,0    | 60,0    | 60,0    | 60,0    |
| m                          | 4,0     | 7,0     | 12,0    | 12,0    | 12,0    | 17,0    |
| Leiter mm <sup>2</sup> min | 1,5     | 1,5     | 1,5     | 2,5     | 2,5     | 2,5     |
| Leiter mm <sup>2</sup> max | 4,0     | 4,0     | 4,0     | 10,0    | 10,0    | 10,0    |