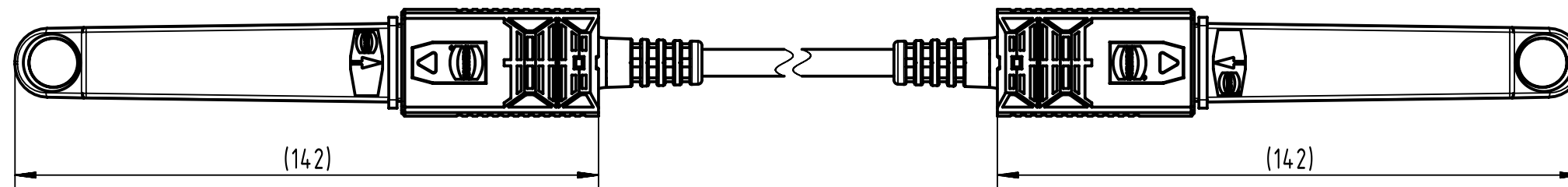
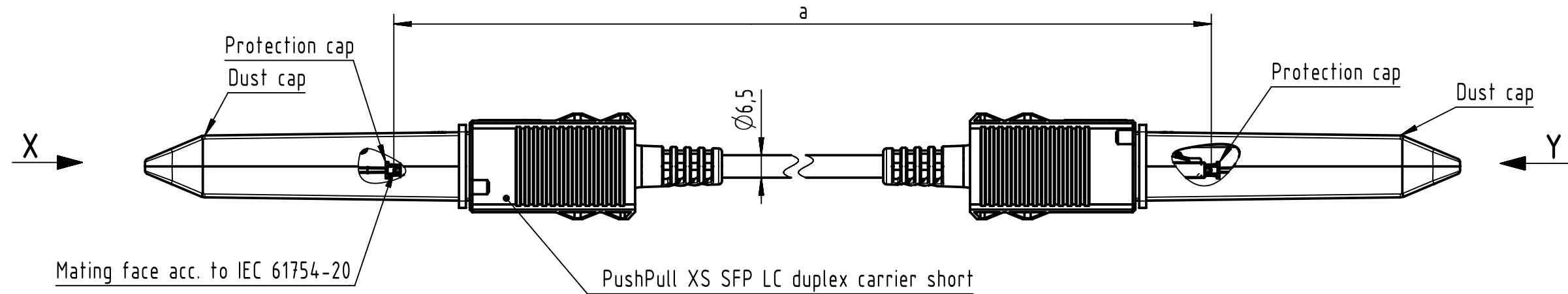


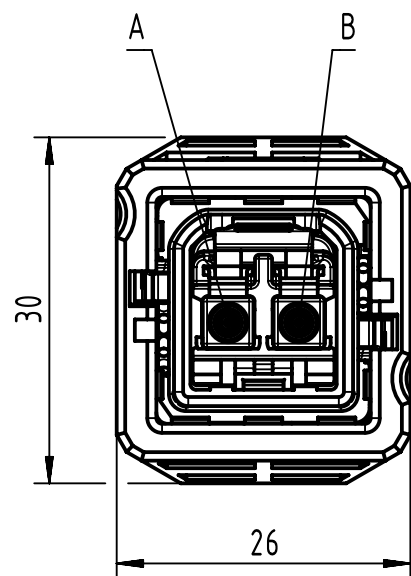
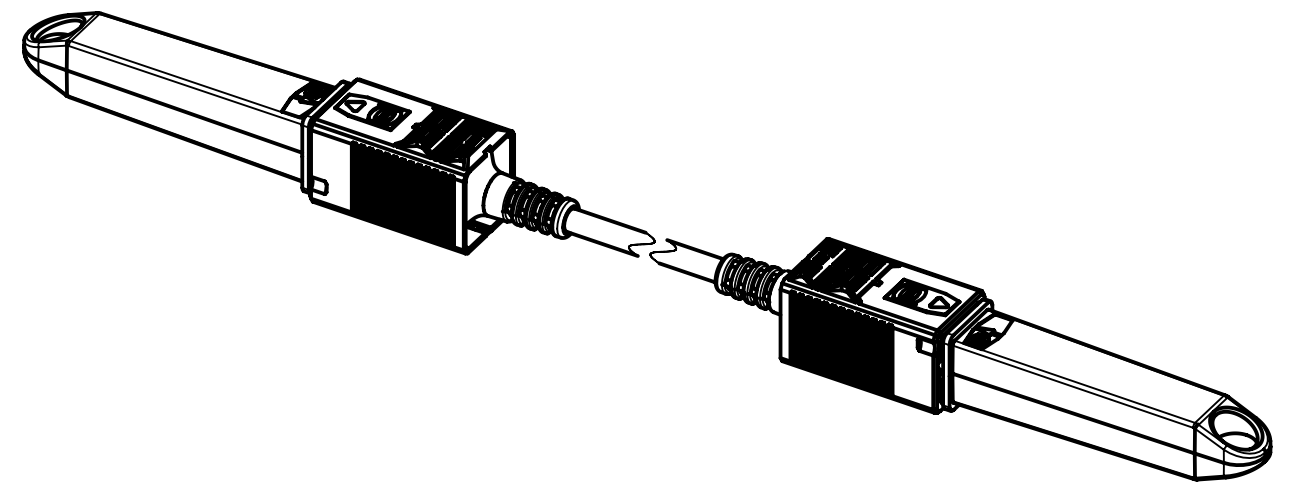
Connector Location A

Connector Location B



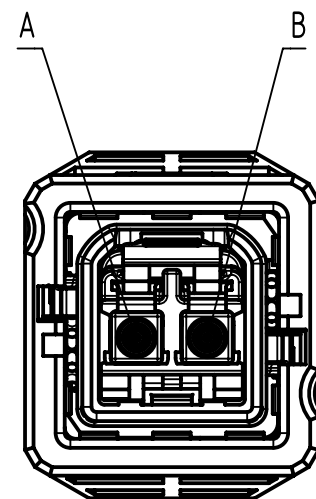
X
male
(without dust cap and protection cap)

Y
male
(without dust cap and protection cap)



Loading Plan

A — blue — B
B — orange — A



Further information see DS 33265100000

	All rights reserved Department HCS - RO HARTING Customised Solutions D-32339 Espelkamp	All Dimensions in mm	Tech. Character.	Free size tol.	According to production drawing
		Created by 402676 Gross	Inspected by 402676 Gross	Standardisation COSTEA Costea	Date 2022-08-31
		Title PP SFP XS Assy, XSsh-XSsh 9/125			Doc-Key / ECM-Nr. 100572207/UGD/036/E 500000219506
		Type TB	Number 3326231XXX0015		Rev. E Page 1/2

Cont. no.	Part no.	Type of cable	Dim. a[m]							
27	33262311000015	FO Cable, 2-channel, SM, 9/125µm, PUR, black	100	±1%	HARTING Department HCS - RO HARTING Customised Solutions D-32339 Espelkamp	All rights reserved Created by 402676 Gross Inspected by 402676 Gross Standardisation COSTEA Costea Date 2022-08-31 State Final Release Title PP SFP XS Assy, XSsh-XSsh 9/125 Type TB Number 3326231XXX0015 Doc-Key / ECM-Nr. 100572207/UGD/036/E 500000219506 Rev. E Page 2/2	All Dimensions in mm	Tech. Character.	Free size tol.	According to production drawing
26	33262310900015		90							
25	33262310800015		80							
24	33262310700015		70							
23	33262310600015		60							
22	33262310500015		50							
21	33262310450015		45							
20	33262310400015		40							
19	33262310350015		35							
18	33262310300015		30							
17	33262310250015		25							
16	33262310200015		20							
15	33262310150015		15							
14	33262310140015		14							
13	33262310130015		13							
12	33262310120015		12							
11	33262310110015		11							
10	33262310100015		10							
9	33262310090015		9							
8	33262310080015		8							
7	33262310070015		7							
6	33262310060015		6							
5	33262310050015		5							
4	33262310040015		4							
3	33262310030015		3							
2	33262310020015		2							
1	33262310010015		1							
				±0.03						