

Hanging connector - with Multi-Grip, with suspension clip



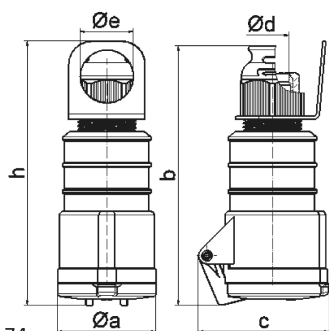
Product description	
BALS-Prd.-Nr	3216
EAN	4024941032162
Product category	Hanging connector QUICK-CONNECT TE
Current	32A
Number of poles	3p
Poles	2P+PE
Position of earth contact	6 h
Voltage	200 up to 250V
Frequency	50 and 60Hz

Product description	
Protection degree	IP44
Colour code	blue RAL 5015
Colour of appliance	Enclosure blue RAL 5015, Hinged lid blue RAL 5015, Cable gland grey RAL 7035
Connection design	screwless spring terminals as cage clamp with Kontex-contact
Maximum conductor size	6,0 qmm
Cable entry	Cable gland
Height	211mm
Width	66.5mm
Depth	91mm
Material of enclosure	Polyamide
Contact	The contact carrier is made of high temperature resistant material, the contacts are brass nickel plated

Additional technical properties	
	For cable diameter from 11 up to max. 23,5 mm, Multi-Grip cable gland with gasket, integrated cable clamp and additional water evacuation openings

Logistics data	
Weight/pcs	0.348 kg / Piece
Packaging	Bag
Content amount	1 ST
EAN	4024941032162

Logistics data	
Length	91 mm
Width	66.5 mm
Height	211 mm
Weight	0.349 kg
Volume	1,276.867 ccm
Packaging	Carton
Content amount	10 ST
EAN	4024941835442
Length	325 mm
Width	217 mm
Height	210 mm
Weight	3.686 kg
Volume	13,588.4 ccm



3 MB 74

Ampere	16	16	16	32	32	32
Polzahl	3	4	5	3	4	5
a ø	51,0	58,0	65,0	66,5	66,5	72,0
b	156,0	162,0	168,0	195,0	195,0	198,0
c	72,0	78,0	86,0	89,0	89,0	99,0
d ø	18,0	18,0	21,0	23,0	23,0	27,0
e ø	39,5	39,5	35,5	48,5	48,5	44,5
h	167,5	173,5	171,5	208,0	208,0	205,0
Leiter mm ² min	1	1	1	2,5	2,5	2,5
Leiter mm ² max	2,5	2,5	2,5	6	6	6