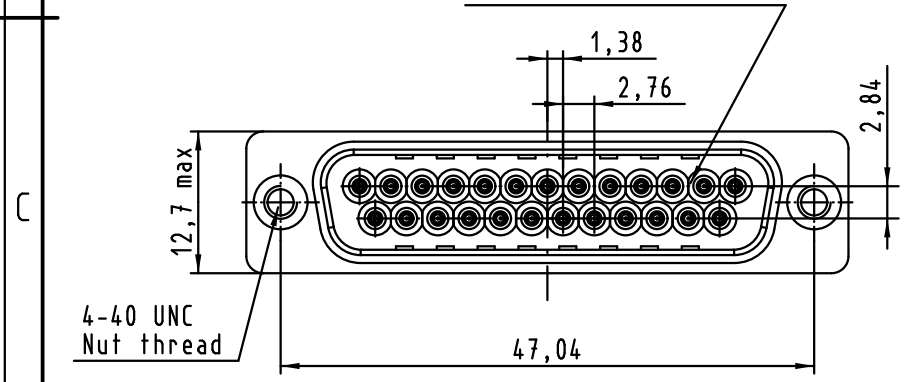
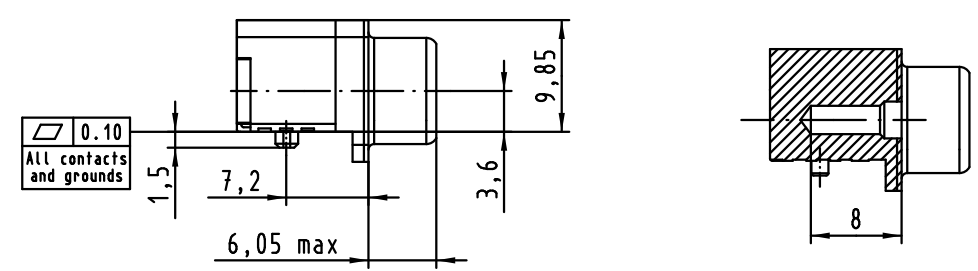



Mating face according to CECC 75301-802



PCB Layout, component side (thickness 1,6mm min.)



Max. Temperature: 260°C during 10 seconds

								Dot.		Name		 All Dim. in mm Orig. Size DIN A 4		D-SUB SMT Low Profile Male 25p with die casted grounds and 4-40 UNC nuts		Maßstab/ Scale			
								Detail.		30Jun2010						ED		1,5:1	
								Insp.											
								Stand.								Blatt/ Page			
09553663816.741		1		4-40 UNC		Black Insulator		Reel Packaging (160 connectors) see page 2/2		EC01953		30Jun2010		ED		TB 09 55 366 x816		1/2	
09553666816.741		2								Mod.		Dat.		Name					
09553667816.741		3																	
Part number		PL		Thread		Index designation		Mod.		Dat.		Name		Sub.					

