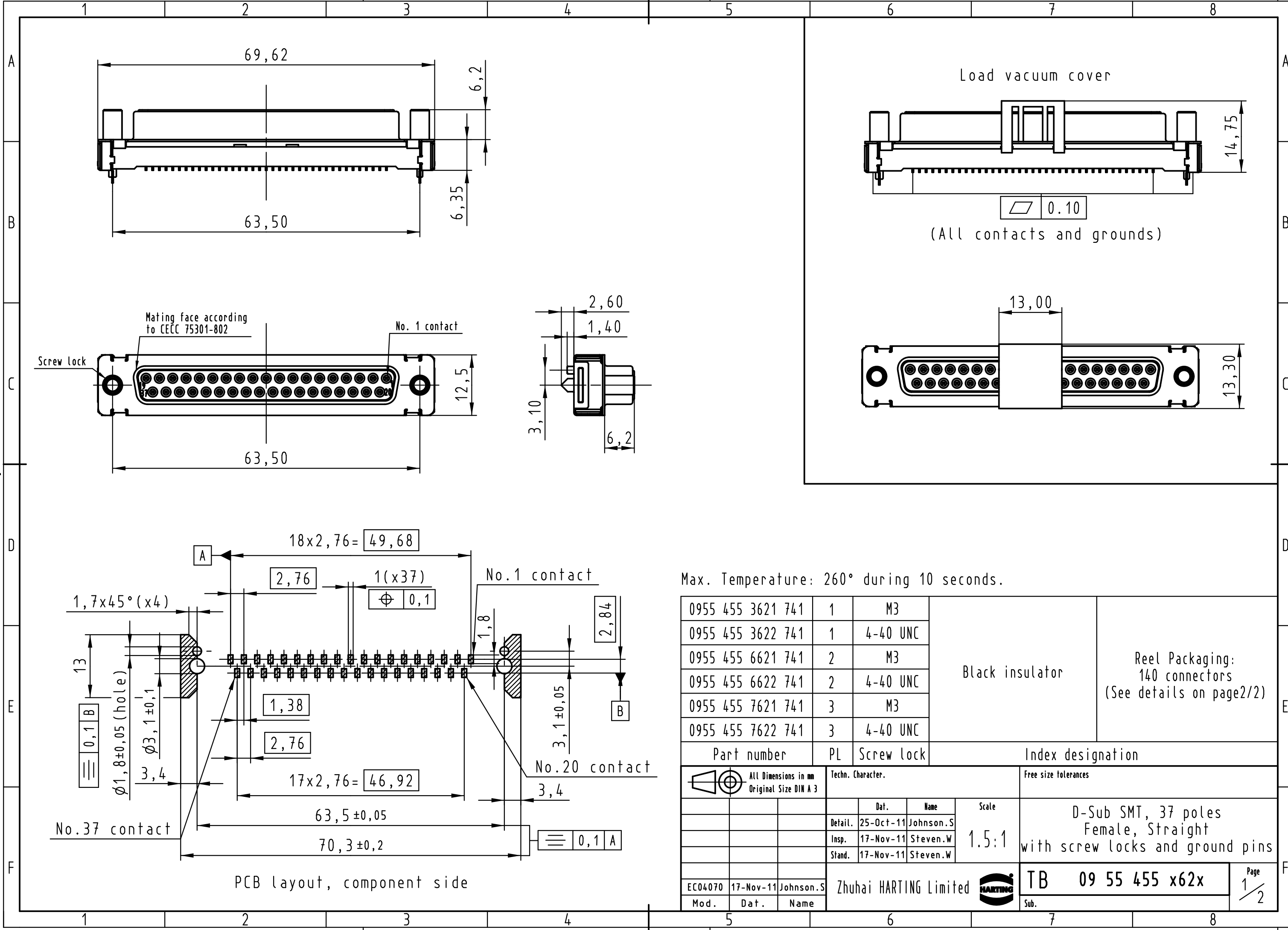
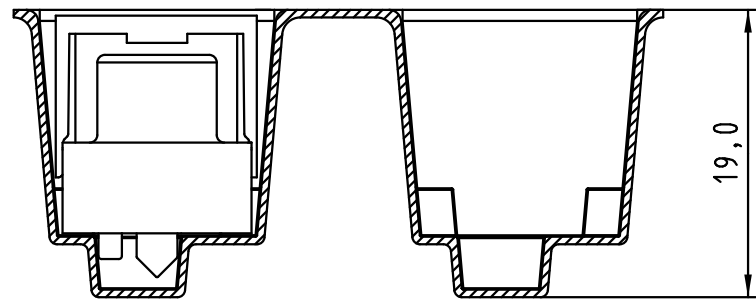


All rights reserved

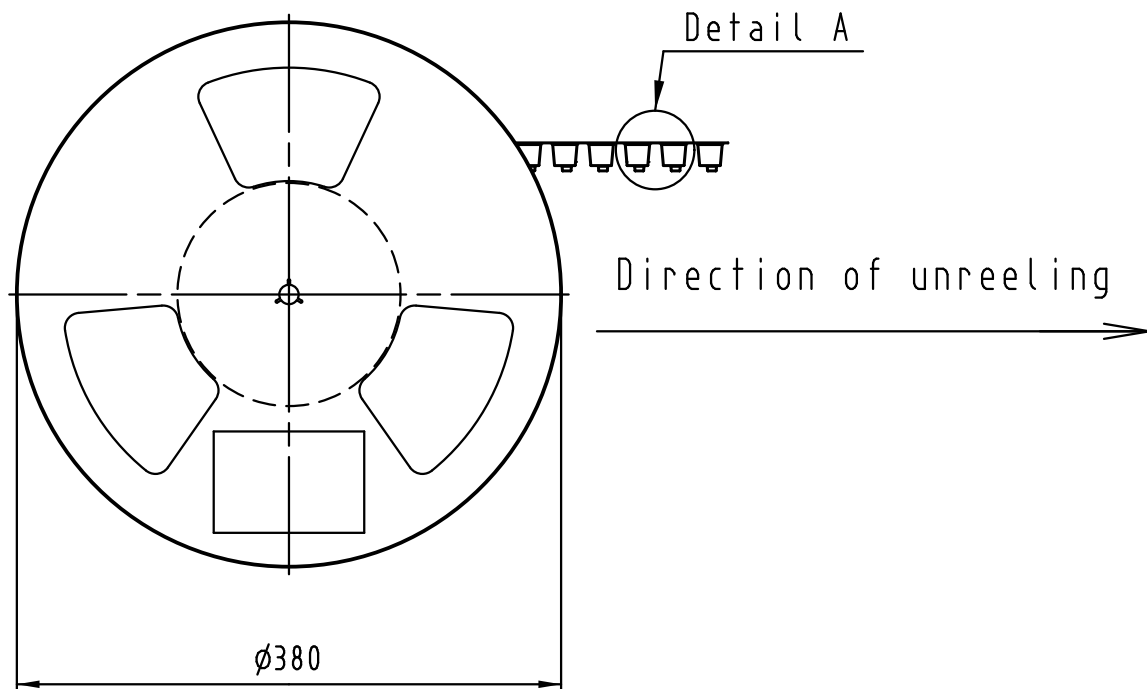
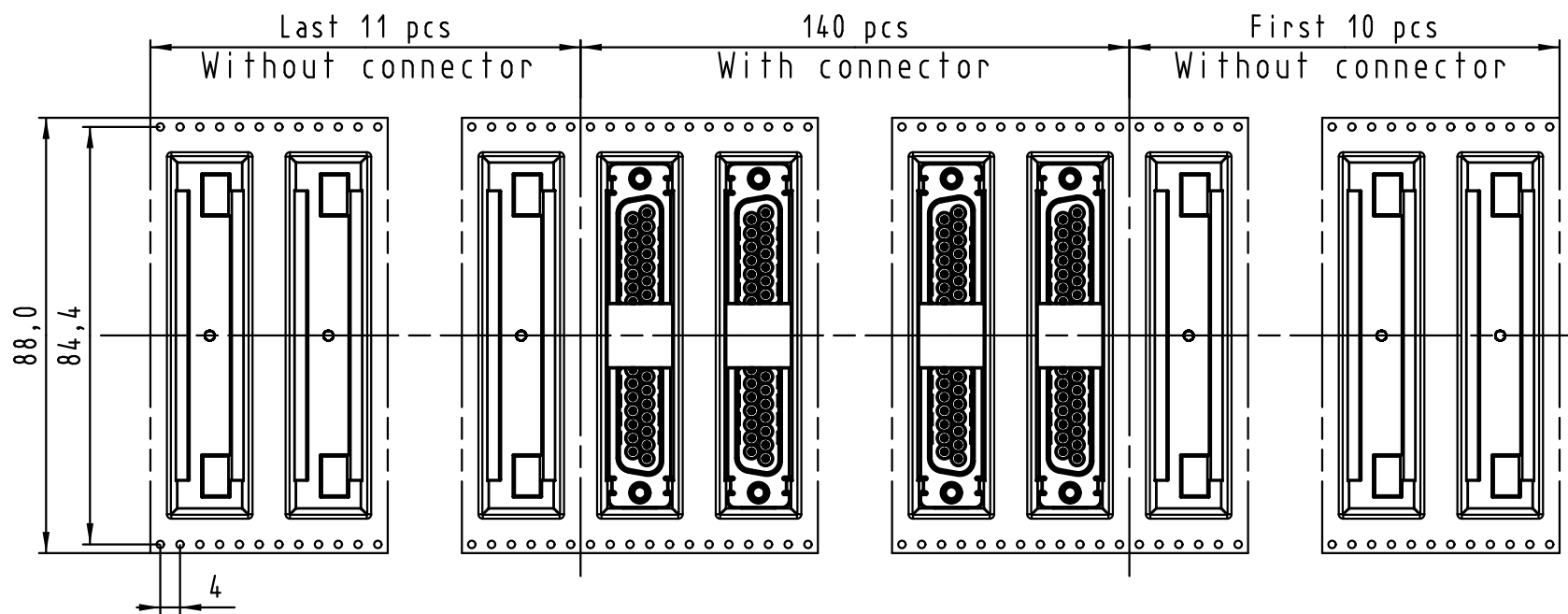


Max. Temperature: 260° during 10 seconds.

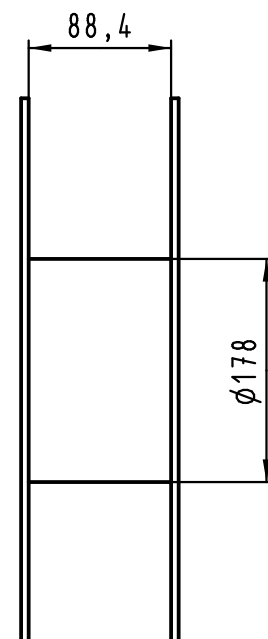
0955 455 3621 741	1	M3	Black insulator	Reel Packaging: 140 connectors (See details on page 2/2)														
0955 455 3622 741	1	4-40 UNC																
0955 455 6621 741	2	M3																
0955 455 6622 741	2	4-40 UNC																
0955 455 7621 741	3	M3																
0955 455 7622 741	3	4-40 UNC																
Part number	PL	Screw lock	Index designation															
All Dimensions in mm Original Size DIN A 3			Free size tolerances															
<table border="1"> <tr> <td></td> <td>Dat.</td> <td>Name</td> <td>Scale</td> </tr> <tr> <td>Detail.</td> <td>25-Oct-11</td> <td>Johnson.S</td> <td rowspan="3">1.5:1</td> </tr> <tr> <td>Insp.</td> <td>17-Nov-11</td> <td>Steven.W</td> </tr> <tr> <td>Stand.</td> <td>17-Nov-11</td> <td>Steven.W</td> </tr> </table>				Dat.	Name	Scale	Detail.	25-Oct-11	Johnson.S	1.5:1	Insp.	17-Nov-11	Steven.W	Stand.	17-Nov-11	Steven.W	D-Sub SMT, 37 poles Female, Straight with screw locks and ground pins	
	Dat.	Name	Scale															
Detail.	25-Oct-11	Johnson.S	1.5:1															
Insp.	17-Nov-11	Steven.W																
Stand.	17-Nov-11	Steven.W																
EC04070	17-Nov-11	Johnson.S	Zhuhai HARTING Limited	TB 09 55 455 x62x														
Mod.	Dat.	Name		Page 1/2														



Detail A



Detail A



See TB 09 55 455 x62x folio 1/2 for connector dimensions and PCB layout

Packaging in accordance with EIA 481-2.

0955 455 3621 741	1	M3	Black insulator	Reel Packaging: 140 connectors
0955 455 3622 741	1	4-40 UNC		
0955 455 6621 741	2	M3		
0955 455 6622 741	2	4-40 UNC		
0955 455 7621 741	3	M3		
0955 455 7622 741	3	4-40 UNC		
Part number	PL	Screw lock	Index designation	

	All Dimensions in mm Original Size DIN A 3			Techn. Character.			Free size tolerances			
					Dat.	Name	Scale	D-Sub SMT, 37 poles Female, Straight with screw locks and ground pins		
				Detail.	25-Oct-11	Johnson.S				
				Insp.	17-Nov-11	Steven.W				
							Stand.	17-Nov-11	Steven.W	
EC04070	17-Nov-11	Johnson.S	Zhuhai HARTING Limited				TB 09 55 455 x62x			Page 2/2
Mod.	Dat.	Name					Sub.			

All rights reserved