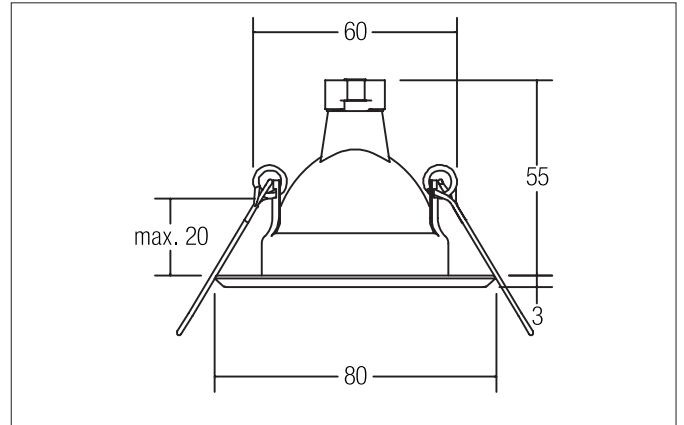


ILARIO Recessed downlight, GX5,3  
Article no. 2017.07

Light.  
For Generations.



#### Tender

Recessed downlight, GX5,3, white, Round. In a compact design, for installation in tool-less rapid assembly systems. Lamp holder: GX5.3, Mounting method: Recessed mounting, Place of installation: Ceiling-mounted, Material: Steel, Degree of protection: according to DIN EN 60529 IP20, Protection class: (EN 61140) III, Voltage: 12V, Power: 50W, Amount of light sources / fittings: 1.0 Qty, Adjustability: Not adjustable, With control gear: No, Dimmable: Depending on type of control gear, Control: Dimming depending on driver.

#### Product Benefits

- Round recessed downlight made of steel.
- For LED retrofit lamp GX5.3.
- Easy and tool-free installation.
- Dimmable when using appropriate accessories.
- Diameter 80 mm, ceiling cutout 60 mm, installation depth 55 mm, ceiling thickness max. 20 mm.
- Available in chrome, chrome matt and white color finishes.

ILARIO Recessed downlight, GX5,3  
Article no. 2017.07

Light.  
For Generations.

| Article data       |                           |
|--------------------|---------------------------|
| Article no.        | 2017.07                   |
| GTIN               | 4250047706762             |
| Series name        | ILARIO                    |
| Short description  | Recessed downlight, GX5,3 |
| Material           | Steel                     |
| Colour             | White                     |
| Type of surface    | Glossy                    |
| Shape              | Round                     |
| Outer diameter     | 80 mm                     |
| Built-in diameter  | 60 mm                     |
| Installation depth | 55 mm                     |
| Hight              | 3 mm                      |
| Weight             | 0.047 kg                  |

| Operating technology of the luminaire |                                   |
|---------------------------------------|-----------------------------------|
| System output                         | 50 W                              |
| Voltage type                          | AC/DC                             |
| AC nominal voltage max                | 12 V                              |
| Frequenz max.                         | 50 Hz                             |
| Lamp                                  | for LED-retrofill lamp            |
| Lamp holder                           | GX5.3                             |
| Protection class                      | III                               |
| Degree of protection                  | IP20                              |
| Dimmable                              | Depending on type of control gear |
| Control                               | Dimming depending on driver       |
| Bulb change possible                  | Yes                               |

| Mounting technology    |   |
|------------------------|---|
| Mounting method        | Recessed mounting                         |
| Place of installation  | Ceiling-mounted                           |
| Adjustability          | Not adjustable                            |
| Max. ceiling thickness | 20 mm                                     |
| stamp                  | ENEC 05                                   |
| Further references     | No cover with thermal insulation material |
| Material cover         | Without cover                             |
| Circlip                | With circlip                              |

| Packing data            |   |
|-------------------------|---|
| Gross weight            | 0.062 kg  |
| Length of packaging     | 85 mm   |
| Packaging width         | 43 mm   |
| Packaging hight         | 84 mm   |
| Disposal at end of life | This product must not be disposed of with household waste. You are obliged, to dispose of such electrical waste separately.<br>By disposing of electrical waste and other old or defective electronics separately, you support recycling or other forms of re-use. In that way you help to take care and to avoid that harmful substances get into the environment. |