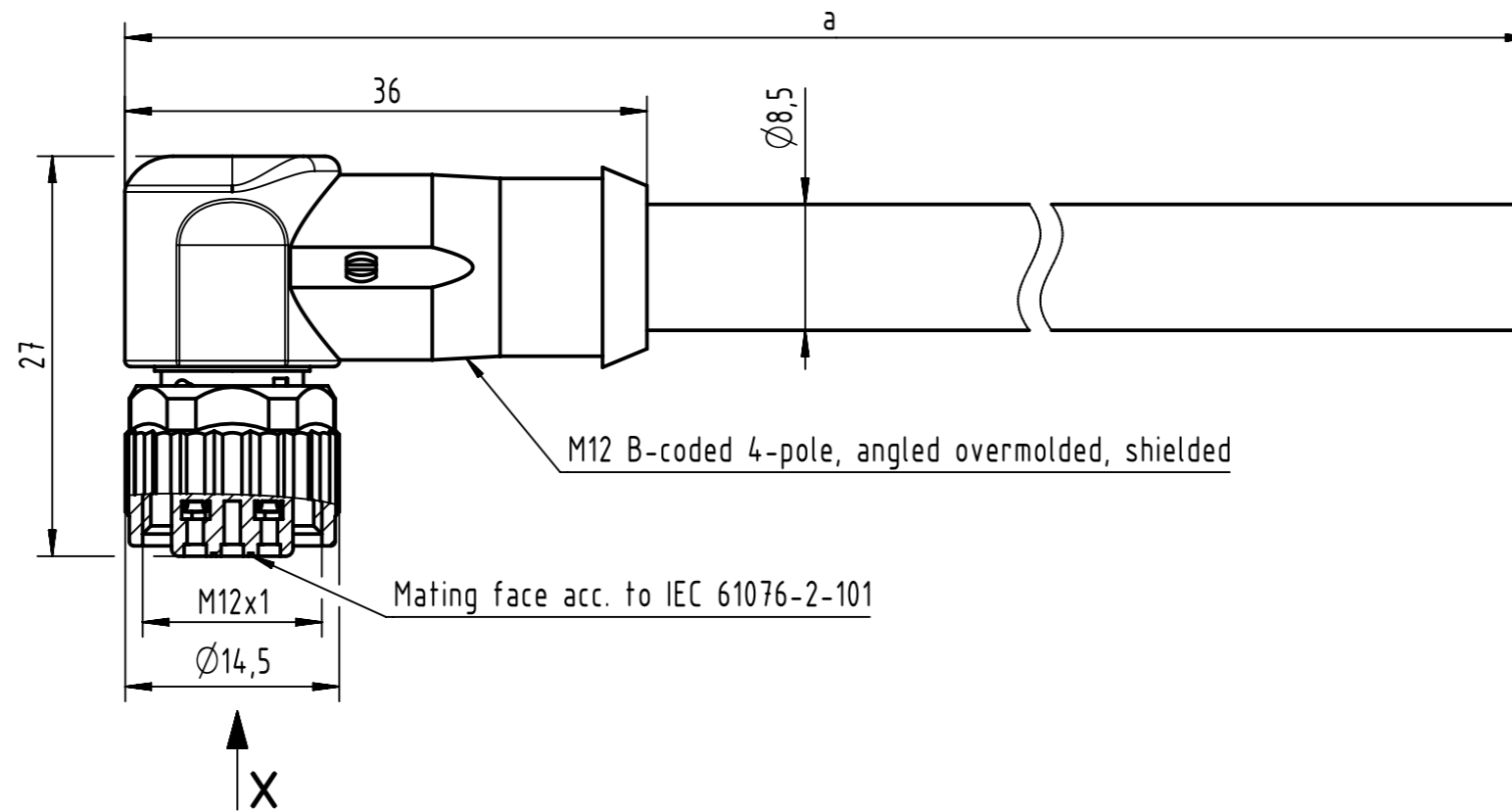
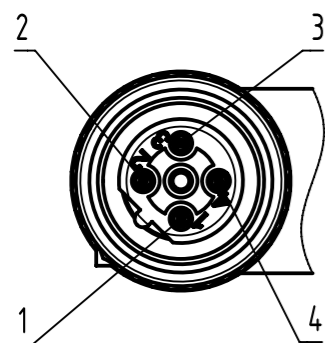


Connector Location A

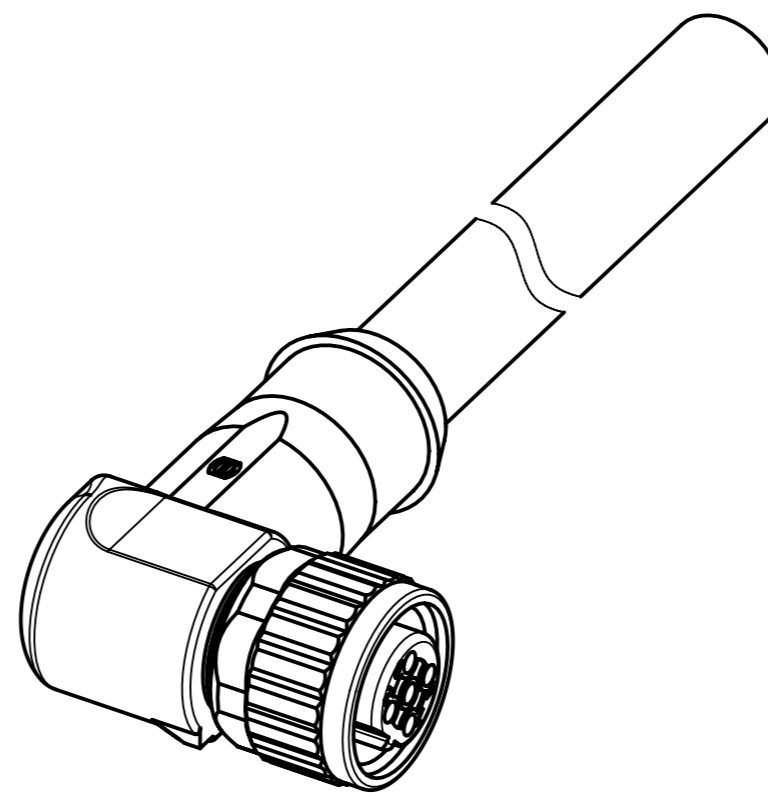
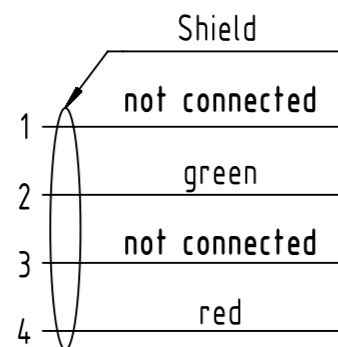
Connector Location B



X female



Loading Plan



4.0 to 100	±1%
0.1 to 3.9	+0.04
a [m]	Tolerance

length in "1m" step	100	XXX=000
	99	XXX=990
	.	.
	12	XXX=120
	11	XXX=110
length in "0.1m" step	10	XXX=100
	9.9	XXX=099
	9.8	XXX=098
	.	.
	0.4	XXX=004
	0.3	XXX=003
	0.2	XXX=002
0.1	XXX=001	
Step	a [m]	XXX

TPE violet, 2xAWG24	21349100487XXX
Type of cable	Part no.

- Protection level: IP67
- Temperature range: -30°C ... +80°C

	All rights reserved	Created by MUNTEANV Muntean	Inspected by 402676 Gross	Standardisation MUNTEANV Muntean	Date 2023-07-06	State Final Release
	Department HCS - RO	Title M12 Cable Assembly B-cod an/- f/-				Doc-Key / ECM-Nr. 100807081/UGD/009/B 500000245453
HARTING Customised Solutions D-32339 Espelkamp		Type TB	Number 21349100487XXX		Rev. B	Page 1/1