

SLC SR-2422K8-CCT-G1-S2(DT8)



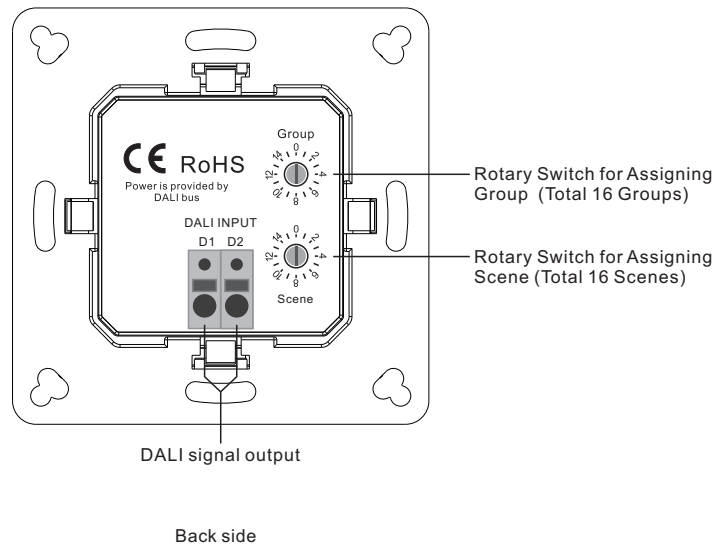
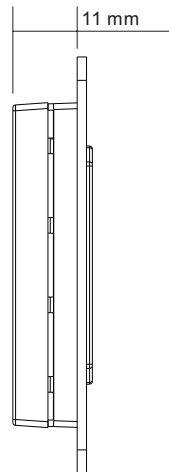
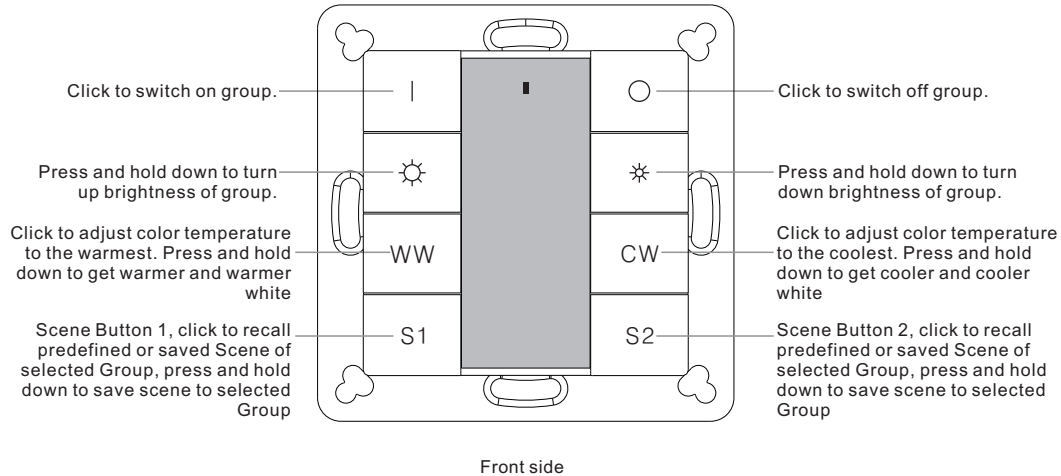
S52025

Product Data

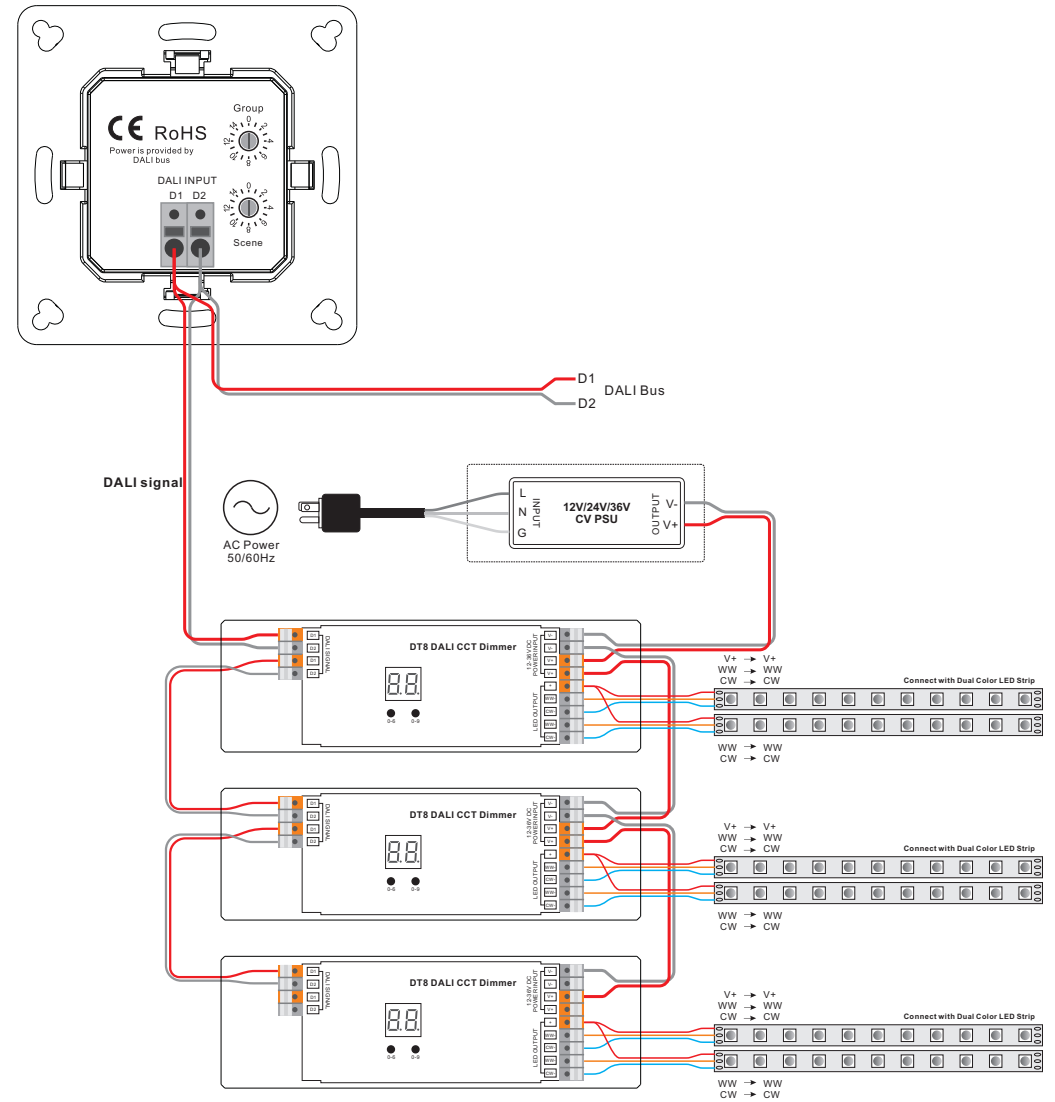
Output	DALI signal
Power Supply	Supply By DALI Bus
Operation Current	4mA
Operating temperature	0-40°C
Relative humidity	8% to 80%
Dimensions	71.2x71.2x13.6mm

Important: Read All Instructions Prior to Installation

Function introduction



Wiring Diagram



Safety & Warnings

- DO NOT installed with power applied to device.
- DO NOT expose the device to moisture.

Operation

1. This controller is a DALI DT8 push button control panel that enables smooth color adjustment of dual color (Warm White and Cool White) LED lighting. It controls DALI DT8 devices and can be compatible with DALI masters that supports DT8 commands.
2. Do wiring according to connection diagram correctly.
3. Set starting Group number via rotary switch on the back: (0-15 selectable)
 - This DALI push button controller enables dimming commands and DT8 commands to be sent to One Group of devices on the DALI circuit by one Group of buttons. A rotary switch on the back is used to select Group you would like to control and set the starting Group number, and total 16 Groups (0-15) can be selected.
 - When the rotary switch arrow position is at 0, Group 1 of buttons controls all 16 Groups of devices through broadcast.
 - When the rotary switch arrow position is at X except 0 (1-15), Group 1 of buttons controls Group X-1 of devices.

For example: Rotary switch arrow at 1, Group 1 of buttons controls Group 0 of devices. Rotary switch arrow at 15, Group 1 of buttons controls Group 14 of devices.

Please refer to the detailed Group setting table as follows:

Rotary Switch Position	0	1	2	3	4	5	6	7	8	9	10	11	12	13	14	15
DALI Group for Group 1 ofButtons	Broadcast	0	1	2	3	4	5	6	7	8	9	10	11	12	13	14

4. Set starting Scene number via rotary switch on the back: (0-15 selectable)
 - This DALI push button controller enables Scene selection commands for up to two Scenes to be sent to the DALI circuit by two Scene buttons S1, S2. A rotary switch on the back is used to select Scenes you would like to control and set the starting scene number, and total 16 Scenes (0-15) can be selected.
 - When the rotary switch arrow position is at X (0-15), Scene button S1 controls Scene X, and S2 controls Scene X+1.

For example: Rotary switch arrow at 0, button S1 controls Scene 0, and S2 controls Scene 1. Rotary switch arrow at 15, button S1 controls Scene 15, and S2 controls Scene 0.

Please refer to the detailed Scene setting table as follows:

Rotary Switch Position	0	1	2	3	4	5	6	7	8	9	10	11	12	13	14	15
Scene assigned to S1	0	1	2	3	4	5	6	7	8	9	10	11	12	13	14	15
Scene assigned to S2	1	2	3	4	5	6	7	8	9	10	11	12	13	14	15	0

5. Save Scenes

Turn on the DALI panel →

Press and hold down button WW/CW to select a color →

Press and hold down button S1/S2 until the LED indicator on the panel flashes, which indicates the scene is saved successfully.

Note: The saved scenes will cover the predefined ones.

Mounting

The key part of this controller is a universal, standard switch element that can be integrated in numerous frames by different manufactures as below list:

BEKER	S1, B1, B3, B7 glass
GIRA	Standard55, E2, Event, Esprit
JUNG	A500, Aplus
MERTEN	M-smart, M-Arc, M-Plan