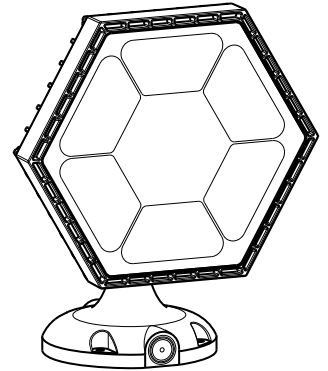
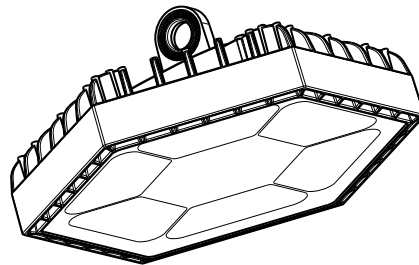
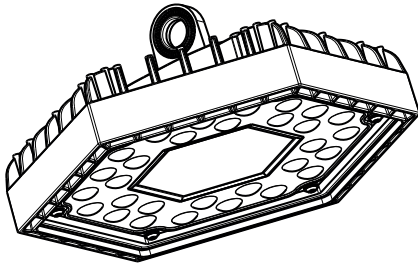


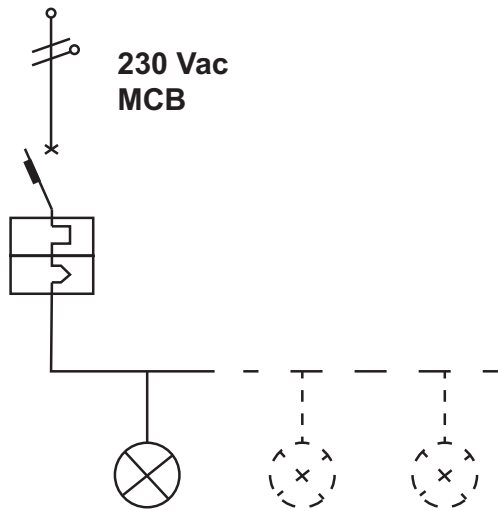
HIGHBAY - FLOODLIGHTS


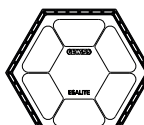



$t_a +50^\circ\text{C} / t_q 25^\circ\text{C}$

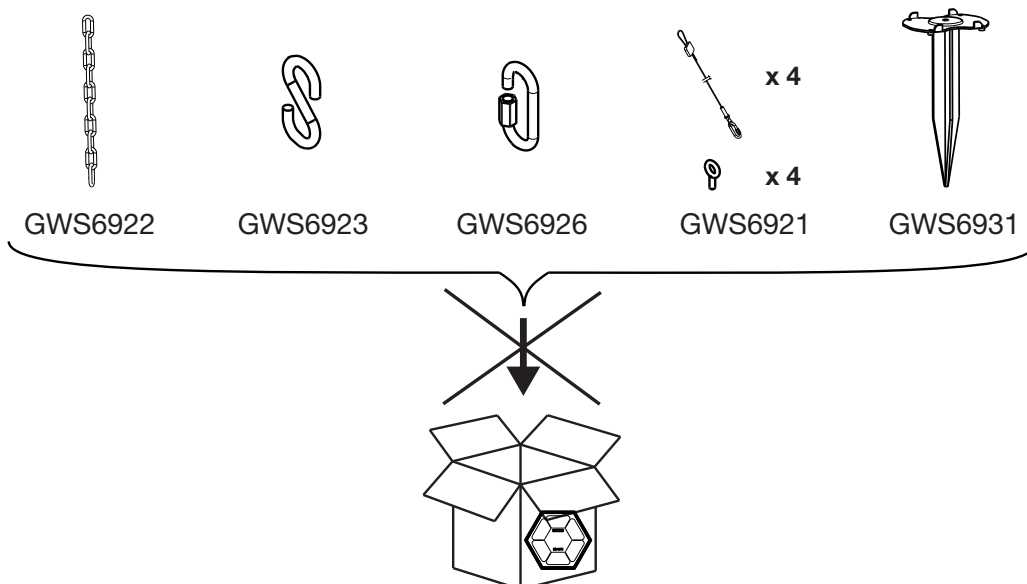
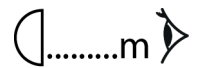
	IP			
	IP65			
	IP66			

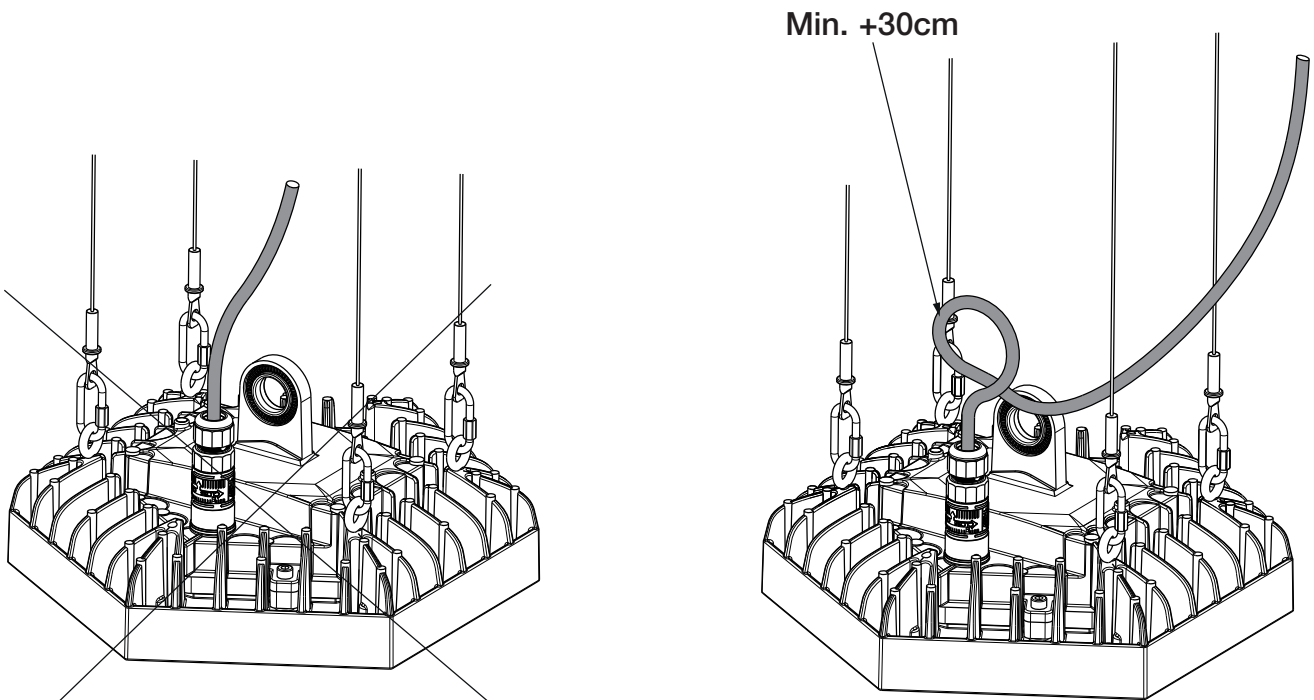
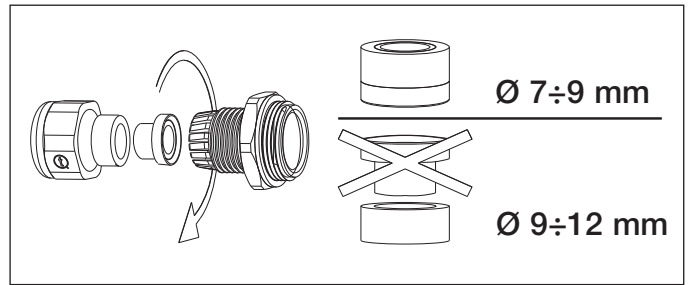
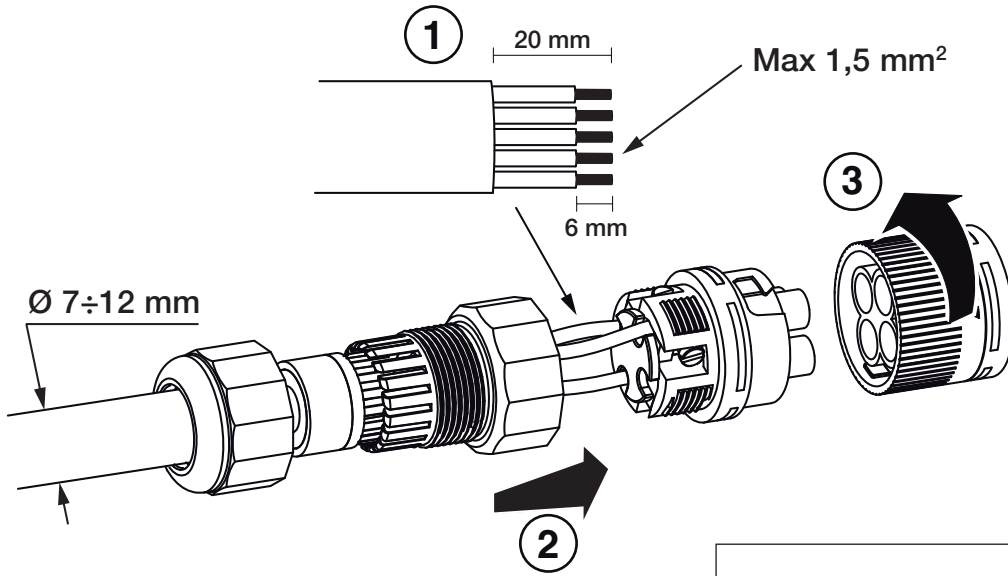
	Kg			
	2,8 Kg	Max. 15 m	0,06 m ²	0,02 m ²
	3,3 Kg	Max. 15 m	0,06 m ²	0,02 m ²
	3,8 Kg	Max. 15 m	0,07 m ²	0,03 m ²



MCB Type B	10A	16A	20A
	6	10	12
MCB Type C	10A	16A	20A
	10	17	20

	$\leq 5700K$			
	30°	60°	90°	Elliptical
	RG1:	RG1:	RG1:	RG1:
	2,5 m	3,5 m	3 m	4 m



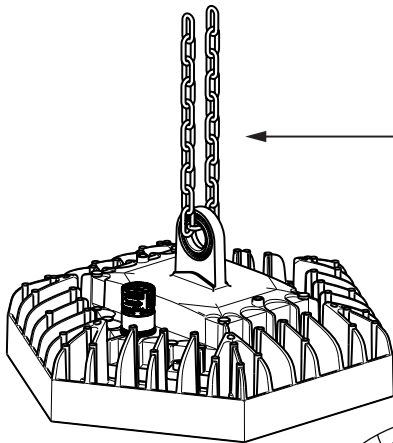




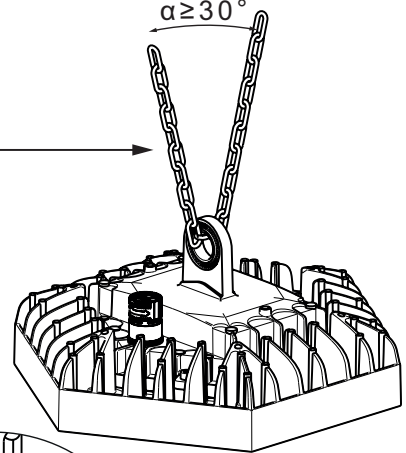
30° - 60° - 90°

ELLIPTICAL

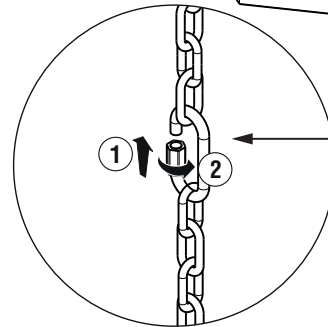
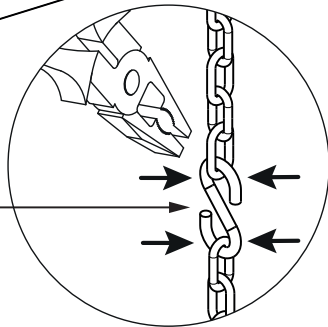
$\alpha \geq 30^\circ$



GWS6922



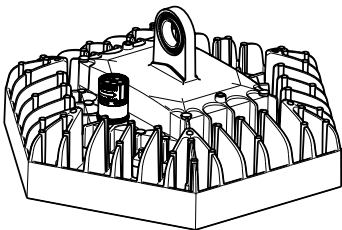
GWS6923



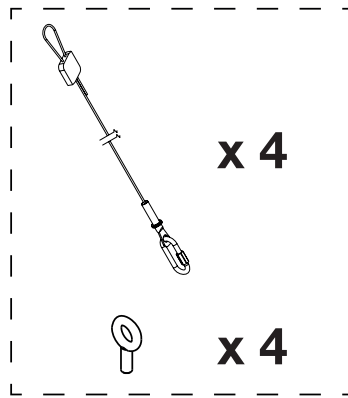
GWS6926



30° - 60° - 90°



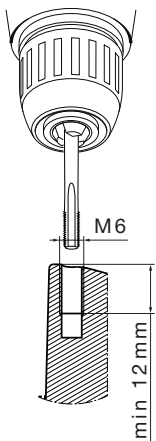
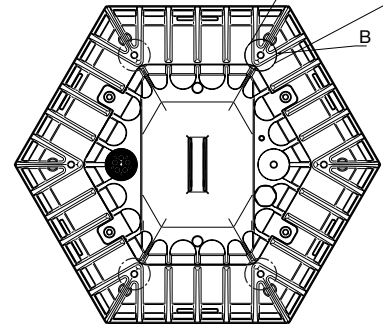
+



GWS6921

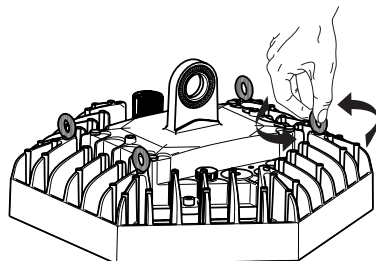
x 4

x 4

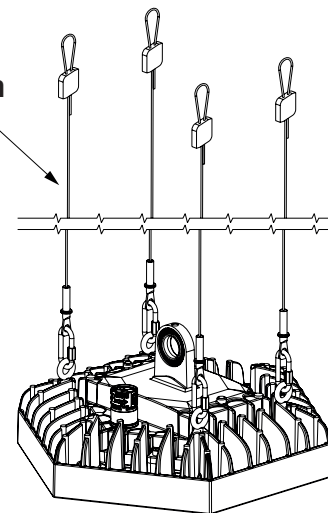


M6

min 12mm

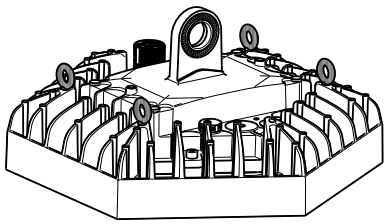


L = 1m

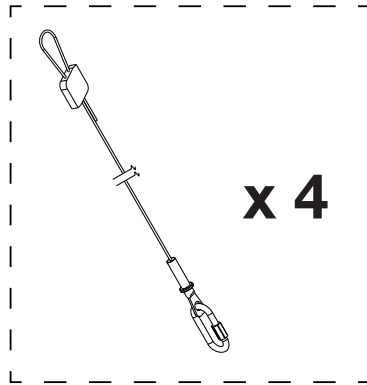




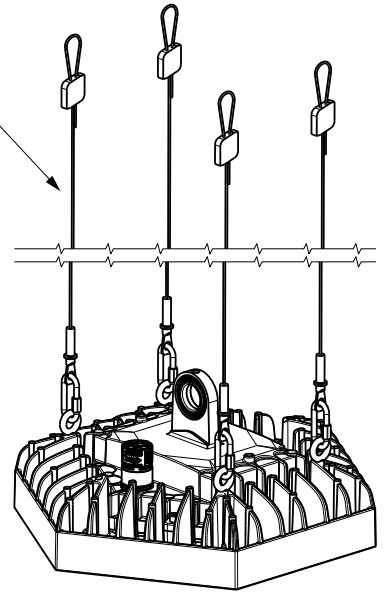
ELLIPTICAL



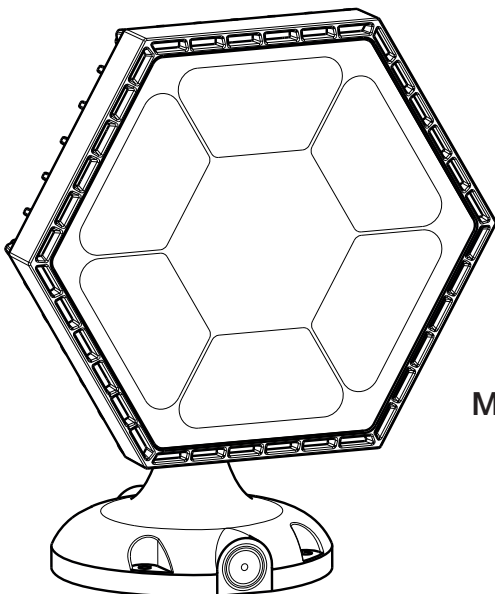
+



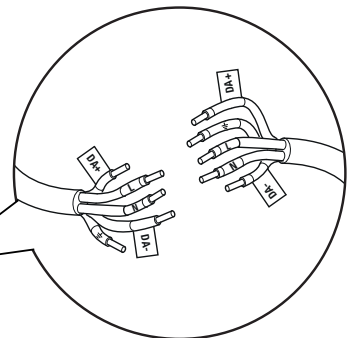
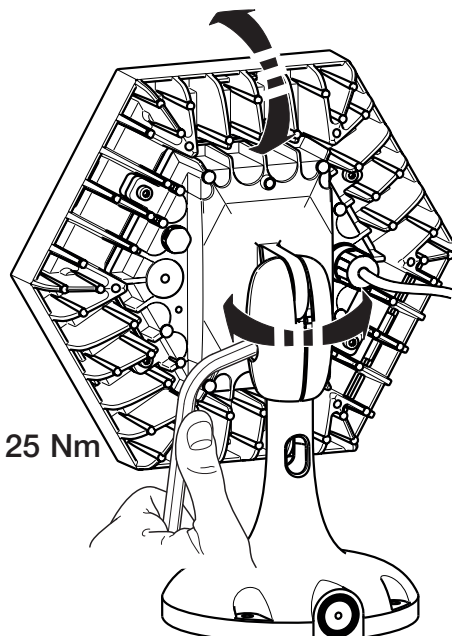
L = 1m




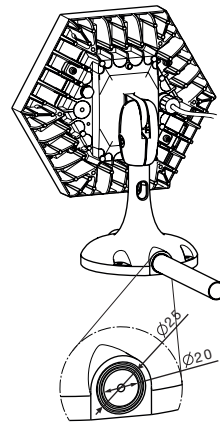
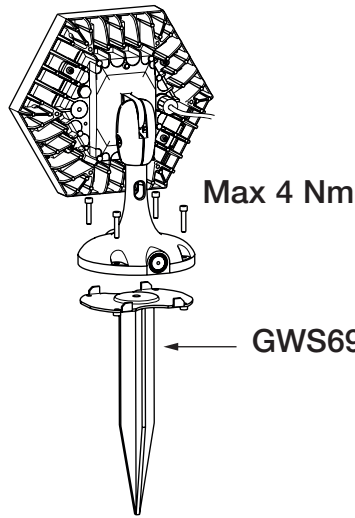
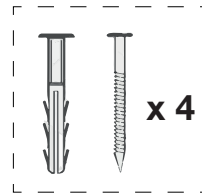
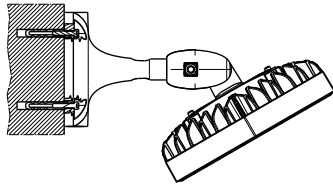
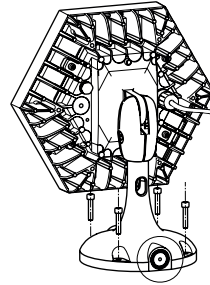
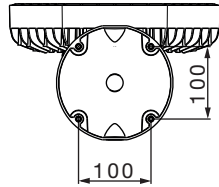
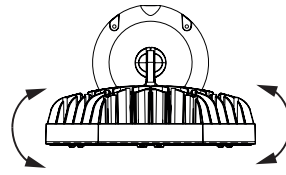
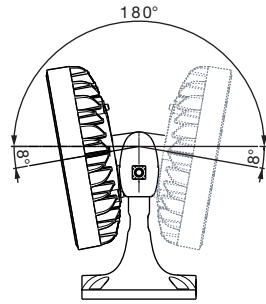
30° - 60° - 90° - ELLIPTICAL



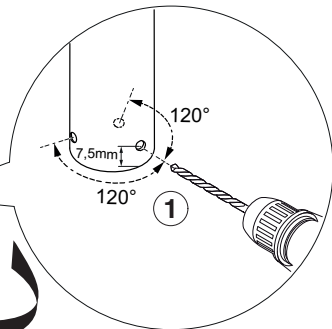
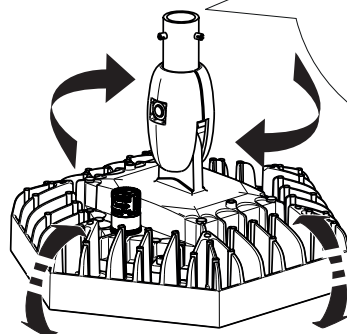
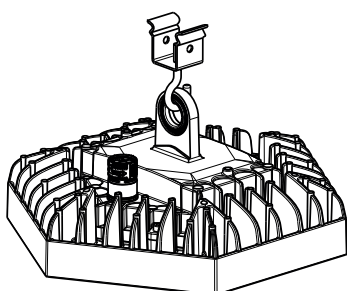
Max 25 Nm

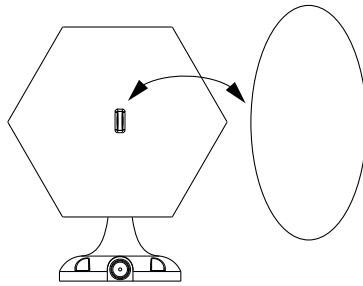
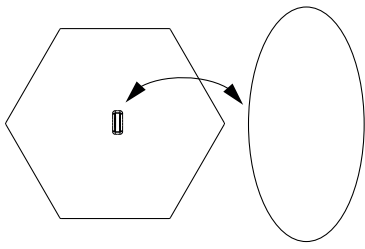


L
N
DA+ = DALI (+)
DA- = DALI (-)


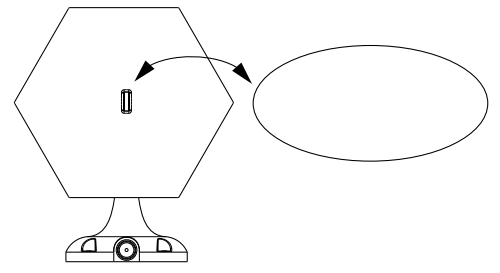


ON REQUEST

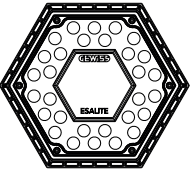
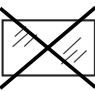
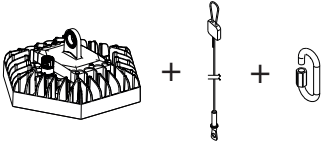


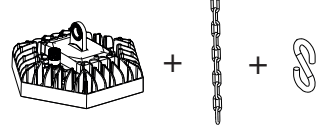


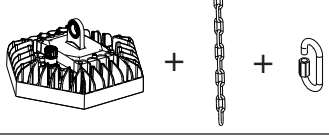





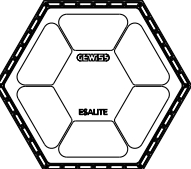

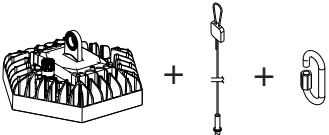
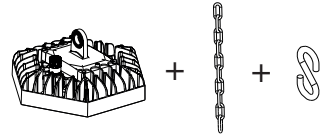


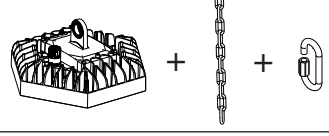





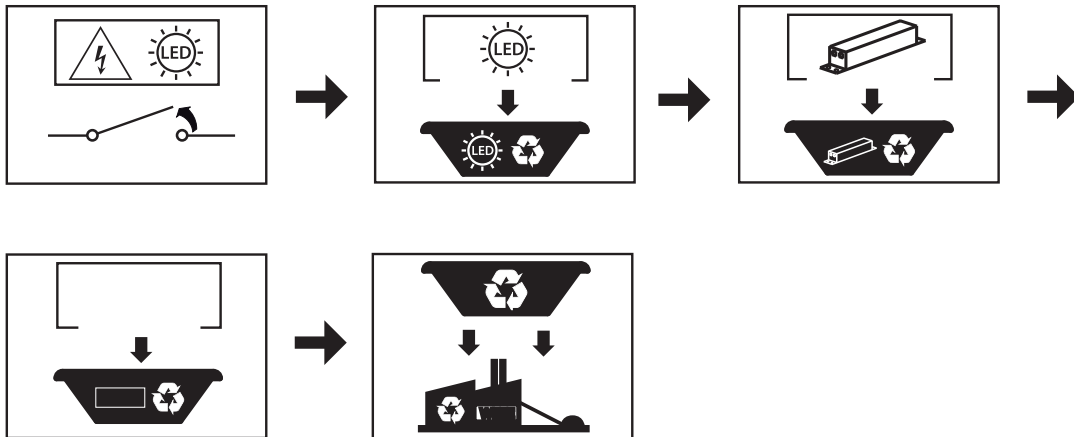
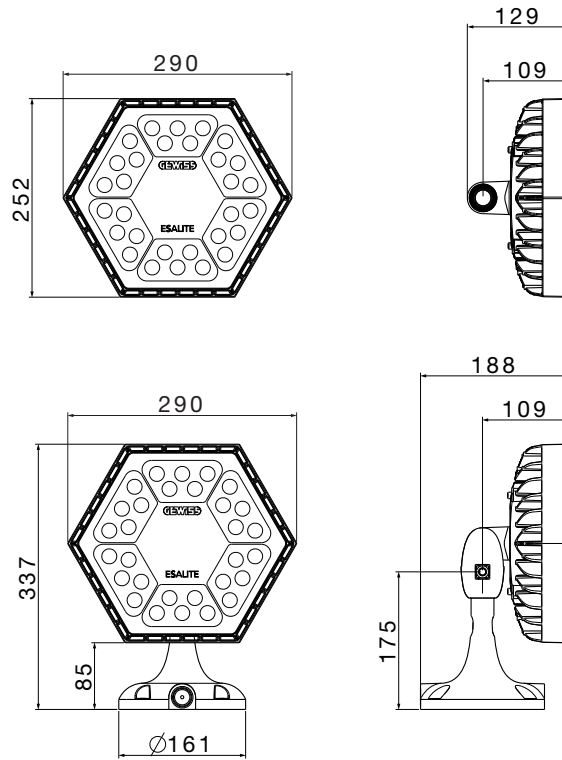
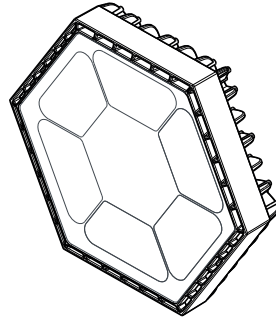


ELLIPTICAL



ELLIPTICAL
REVERSE

 			
			
			
			
 		OK	
			
		OK	
			



Punto di contatto indicato in adempimento ai fini delle direttive e regolamenti UE applicabili:
 Contact details according to the relevant European Directives and Regulations:
 GEWISS S.p.A. Via A.Volta, 1 IT-24069 Cenate Sotto (BG) Italy tel: +39 035 946 111 E-mail: qualitymarks@gewiss.com

According to applicable UK regulations, the company responsible for placing the goods in UK market is:
 GEWISS UK LTD - Unity House, Compass Point Business Park, 9 Stocks Bridge Way, ST IVES
 Cambridgeshire, PE27 5JL, United Kingdom tel: +44 1954 712757 E-mail: gewiss-uk@gewiss.com



+39 035 946 111
 8.30 - 12.30 / 14.00 - 18.00
 lunedì - venerdì - monday - friday



+39 035 946 260



sat@gewiss.com
 www.gewiss.com