

Wall mounting socket outlet, chemically resistant - housing dimensions 225x118



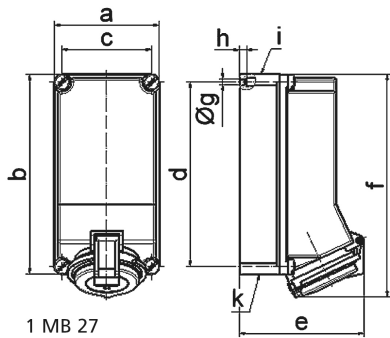
Product description	
BALS-Prd.-Nr	110000
EAN	4024941066068
product category (PG)	TE wall mounting socket outlet Quick-Connect
current (A)	32A
number of poles (P99)	5p
number of poles (P)	3p+N+PE
position of earth contact (H)	6 h
voltage (V)	200/346 up to 240/415V

Product description	
frequency (HZ)	50 and 60Hz
protection degree (SA)	IP44
colour code 1 (KF1)	red RAL 3000
Colour of appliance	Housing top lightbeige, Hinged lid red RAL 3000, Housing bottom lightbeige, Housing screws lightbeige
connection design (AT)	screwless spring terminals as cage clamp with Kontex-contact
maximum conductor size (LQ)	10,0 qmm
cable entry (KE)	top entry M25/M25 bottom entry M25
Height	251mm
Width	118mm
Depth	141mm
dimension of enclosure (GG)	225x118 mm (HxW)
material of enclosure (GM)	Polycarbonate+Polyester light - beige
contact	The contact carrier is made of high temperature resistant material, the contacts are brass nickel plated

Additional technical properties	
	The cable entry is one at top open, one at top is closed, and two at bottom are closed

Logistics data	
Weight/pcs	0.75 kg / Piece
Packaging	Carton

Logistics data	
Content amount	1 ST
EAN	4024941066068
Length	275 mm
Width	175 mm
Height	137 mm
Weight	0.875 kg
Volume	5,737.5 ccm



Ampere	16	32	32	32			
Polzahl	5	3	4	5			
a	118,0	118,0	118,0	118,0			
b	225,0	225,0	225,0	225,0			
c	101,0	101,0	101,0	101,0			
d	208,0	208,0	208,0	208,0			
e	130,0	125,0	125,0	141,0			
f	242,0	250,0	250,0	250,0			
g ø	6,5	6,5	6,5	6,5			
h	8,0	8,0	8,0	8,0			
i	2 x M25	2 x M25	2 x M25	2 x M25			
k	2 x M25	2 x M25	2 x M25	2 x M25			
Leiter mm ² min	1,5	2,5	2,5	2,5			
Leiter mm ² max	4	10	10	10			