

# LILY LED SPOT IP44



EN	Installation Instructions	HR	Uputstvo za montažu	SE	Installationsanvisning
DE	Montageanleitung	NL	Montagehandleiding	RU	Инструкция по монтажу
CZ	Montážní návod	RO	Instructiuni de montaj	SRB	Instrukcija za instalaciju
DK	Monteringsvejledning	IT	Istuzioni di montaggio	SK	Montážny návod
EE	Paigaldusjuhend	LT	Montavimo Instrukcijos	SLO	Navodilo za montažo
FI	Asennusohje	LV	Instalācijas instrukcija	CN	安装说明书
FR	Notice de montage	NO	Monteringsanvisning		
HU	Szerelési útmutató	PL	Instrukcja montażu		

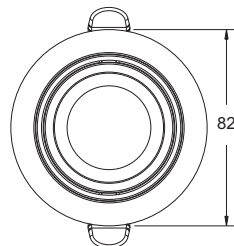
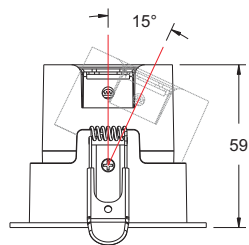


1. Installation and commissioning may only be carried out by authorized specialists and wired in accordance with the latest IEE electrical regulations or the national standards.
2. Mains power must be switched off before carrying out installation.
3. The manufacturer, shall not be liable for any damage resulting from inappropriate modifications to the luminaire or faulty installation.
4. IP44:Indoor use only.IP65:Indoor and outdoor.
5. Caution, risk of electric shock.  
The control gear provides basic insulation between the LV supply and the control circuit.
6. If the external flexible cable or cord of this luminaire is damaged, it shall be replaced by a special cord or cord exclusively available from the manufacturer or his service agent.



You can help protect the environment!  
Please remember to respect the local regulations: hand in the non-work-ing electrical equipments to an appropriate waste disposal centre. The packaging material is recyclable.Dispose of the packaging in an environ-mentally friendly manner and make it available for the recyclable material collection-service.

SAP code	Product name	Wattage	Current	Voltage	PF	CRI	Ta	CCT
96632287	LILY LED SPOT IP44 38° 68 600 930 ADJ WH	6W	40mA	220~240V~50/60Hz	0.9	>90	-20~35°C	3000K
96632288	LILY LED SPOT IP44 38° 68 600 940 ADJ WH	6W	40mA					4000K
96632290	LILY LED SPOT IP44 38° 68 850 930 ADJ WH	8.5W	60mA					3000K
96632291	LILY LED SPOT IP44 38° 68 850 940 ADJ WH	8.5W	60mA					4000K

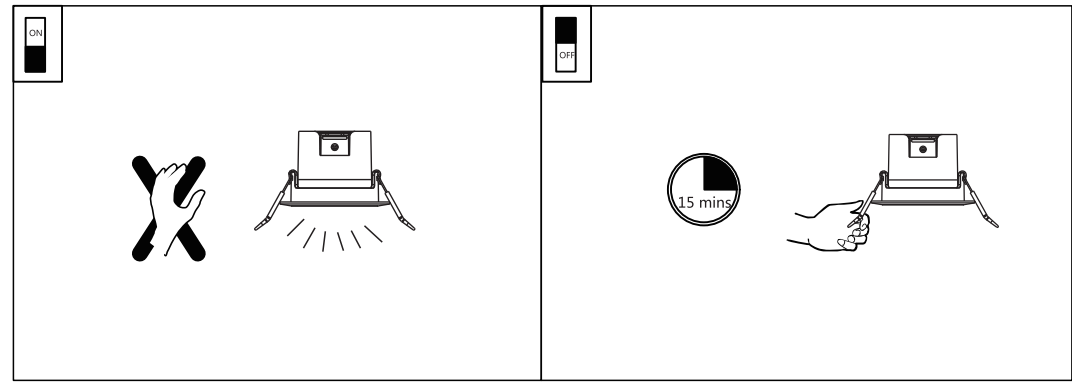
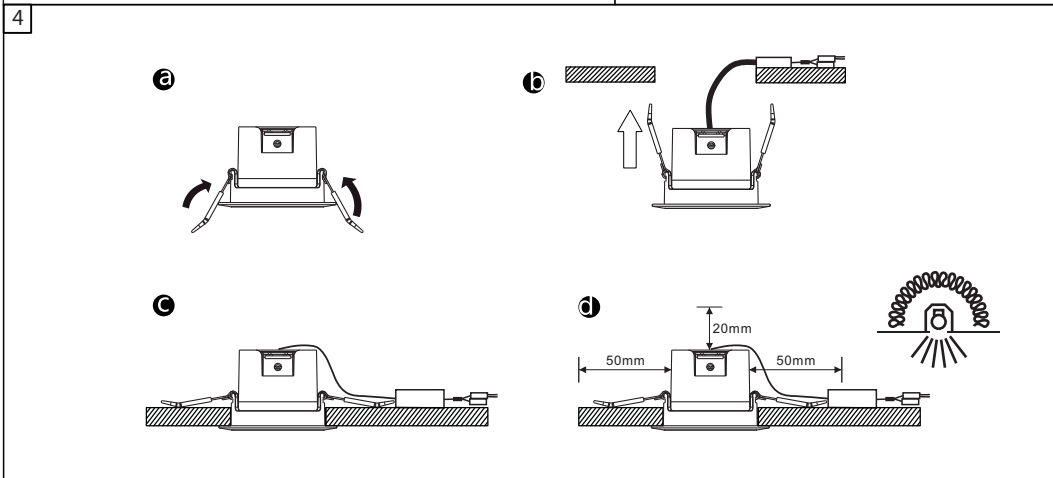
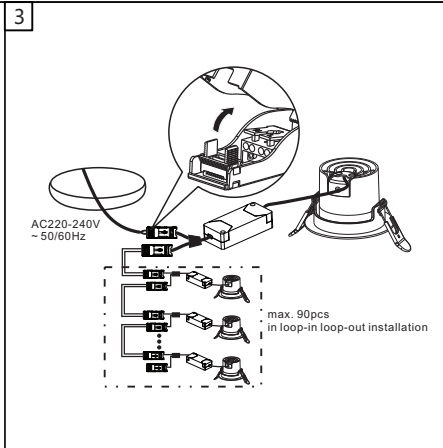
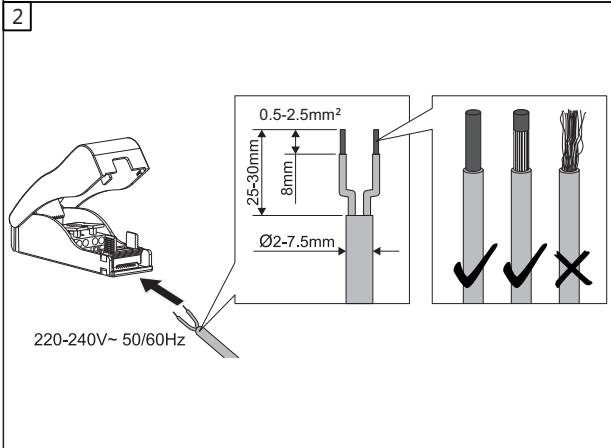
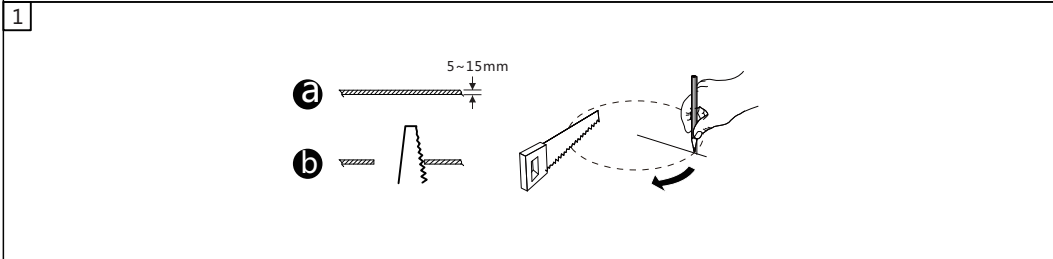
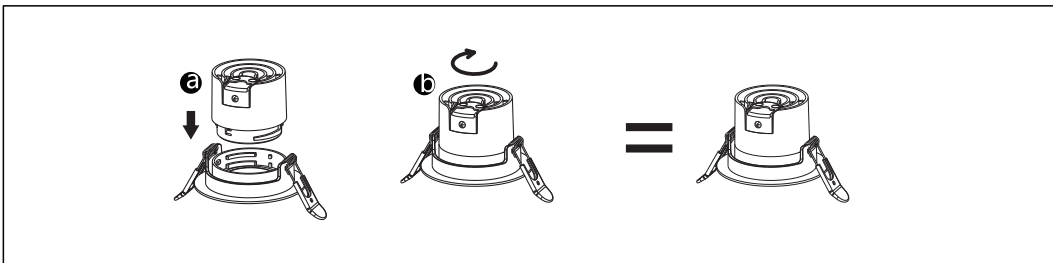


## Light engines

SAP code	Product name	Wattage	Current	Voltage	PF	CRI	Ta	CCT
96633274	LILY LED SPOT IP44 24° 68 600 927	6W	40mA	220~240V~50/60Hz	0.9	>90	-20~35°C	2700K
96633275	LILY LED SPOT IP44 24° 68 600 930	6W	40mA					3000K
96633276	LILY LED SPOT IP44 24° 68 600 940	6W	40mA					4000K
96633277	LILY LED SPOT IP44 24° 68 850 927	8.5W	60mA					2700K
96633278	LILY LED SPOT IP44 24° 68 850 930	8.5W	60mA					3000K
96633279	LILY LED SPOT IP44 24° 68 850 940	8.5W	60mA					4000K
96633280	LILY LED SPOT IP44 38° 68 600 927	6W	40mA					2700K
96633281	LILY LED SPOT IP44 38° 68 600 930	6W	40mA					3000K
96633282	LILY LED SPOT IP44 38° 68 600 940	6W	40mA					4000K
96633283	LILY LED SPOT IP44 38° 68 850 927	8.5W	60mA					2700K
96633284	LILY LED SPOT IP44 38° 68 850 930	8.5W	60mA					3000K
96633285	LILY LED SPOT IP44 38° 68 850 940	8.5W	60mA					4000K
96633286	LILY LED SPOT IP44 60° 68 600 927	6W	40mA					2700K
96633287	LILY LED SPOT IP44 60° 68 600 930	6W	40mA					3000K
96633288	LILY LED SPOT IP44 60° 68 600 940	6W	40mA					4000K
96633289	LILY LED SPOT IP44 60° 68 850 927	8.5W	60mA					2700K
96633290	LILY LED SPOT IP44 60° 68 850 930	8.5W	60mA					3000K
96633291	LILY LED SPOT IP44 60° 68 850 940	8.5W	60mA					4000K

## Trims and pendant cans

SAP code	Item No	W	H	L	Cut out
96632298	LILY TRIM ROUND ADJUST WH	82	25	N/A	Ø68
96632300	LILY TRIM SQUARE ADJUST WH	82	25	82	Ø68
96632301	LILY TRIM IP65 WH	82	26	N/A	Ø68
96632302	LILY TRIM ROUND ADJUST BLK	82	25	N/A	Ø68
96632303	LILY TRIM ROUND ADJUST SAT	82	25	N/A	Ø68
96632304	LILY TRIM SQUARE ADJUST BLK	82	25	82	Ø68
96632305	LILY TRIM SQUARE ADJUST SAT	82	25	82	Ø68
96633292	LILY PENDANT CAN WH	80	210	N/A	N/A
96633293	LILY PENDANT CAN BLK	80	210	N/A	N/A



surfaced mounted  
suspension installation

