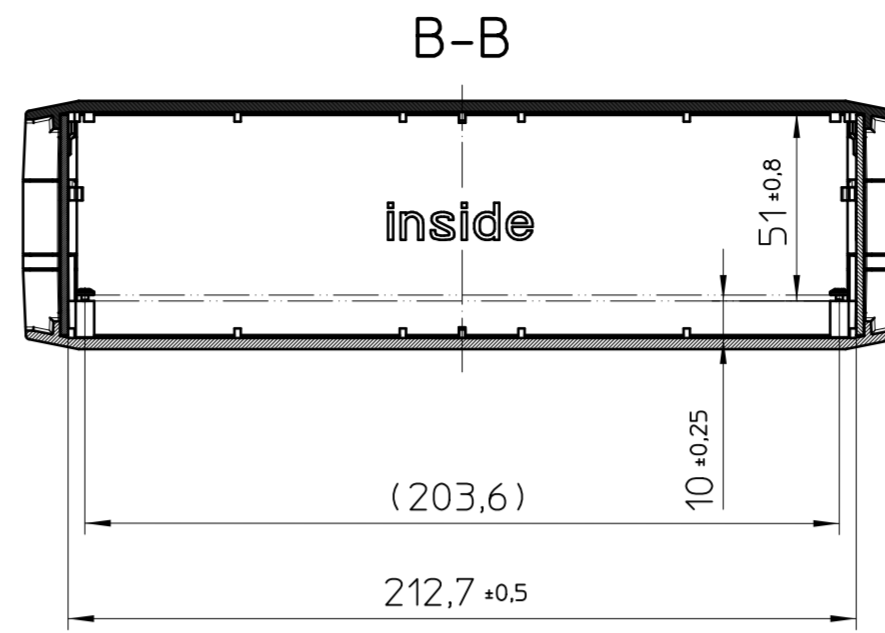
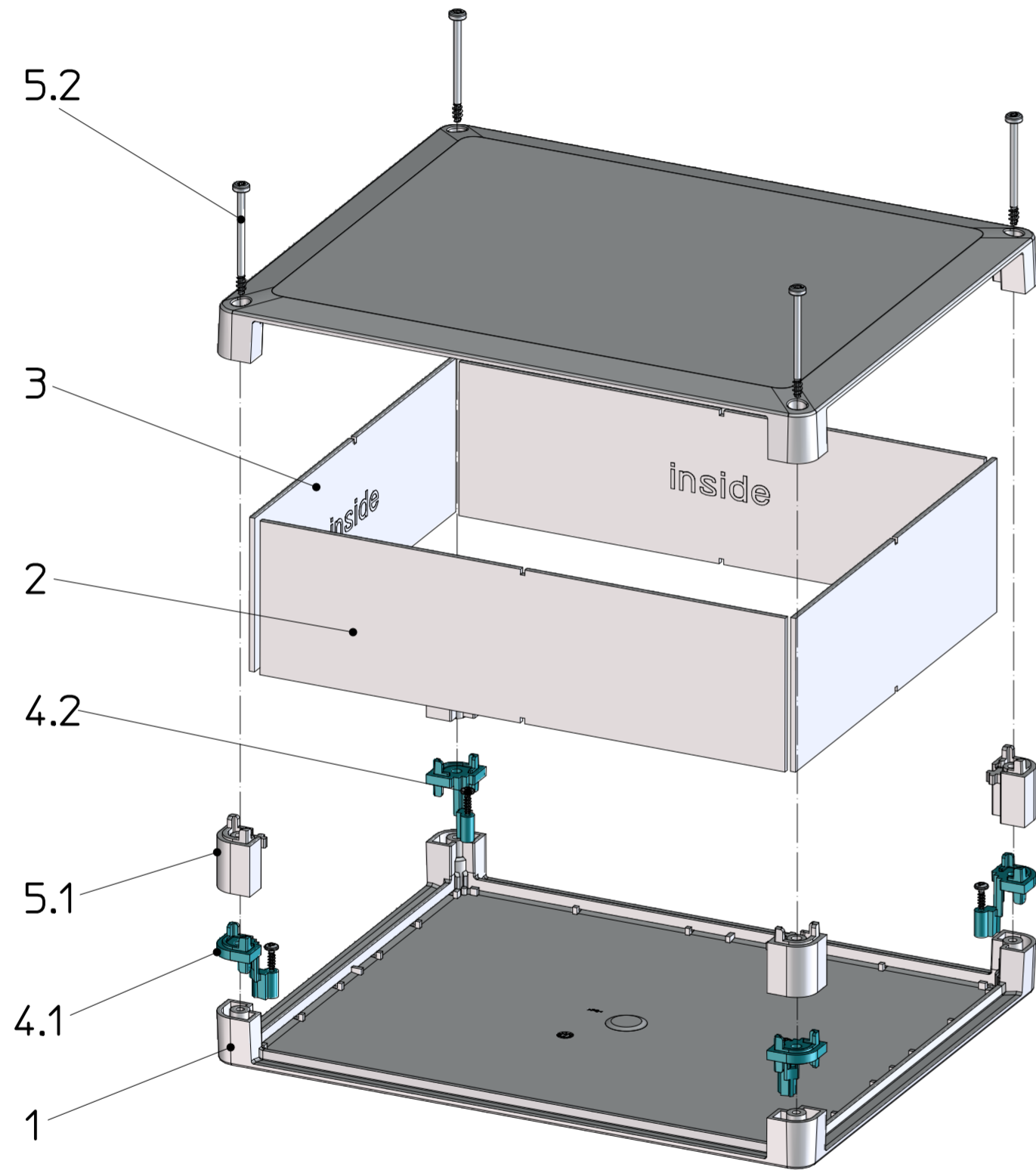
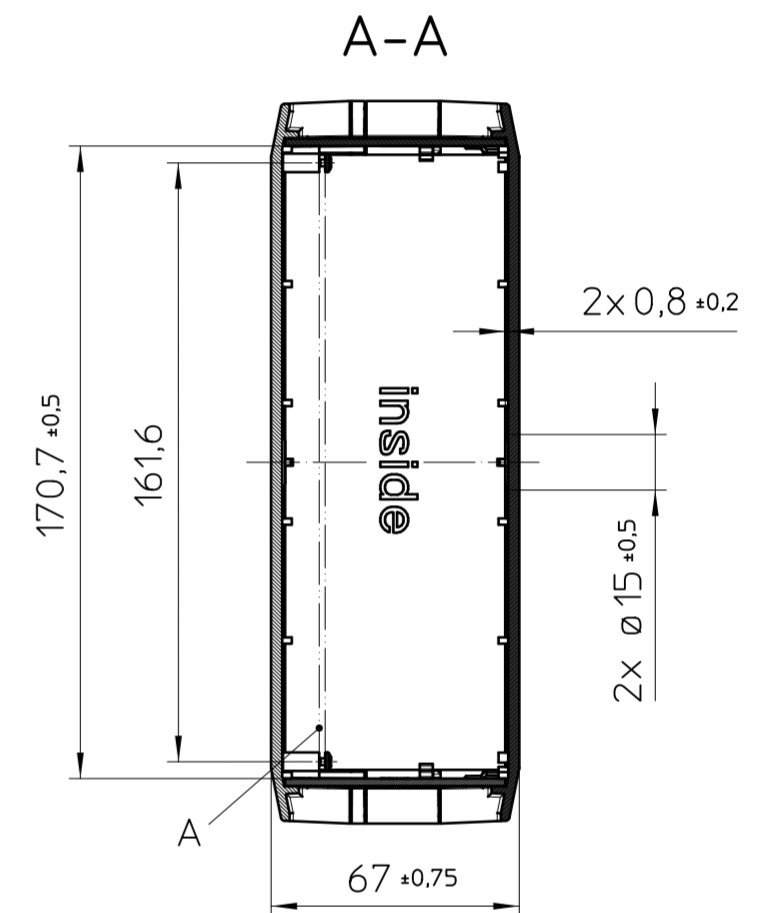
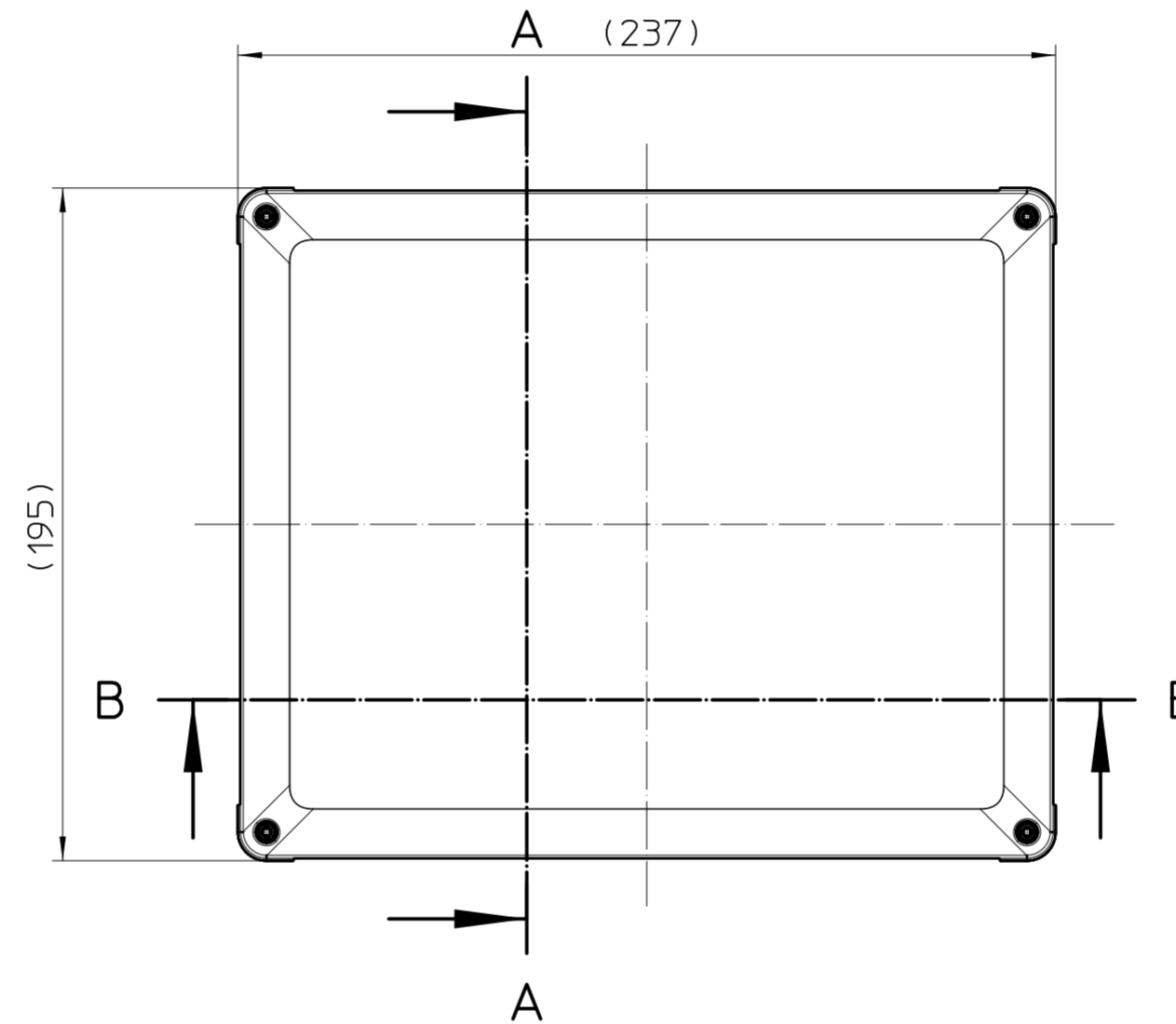
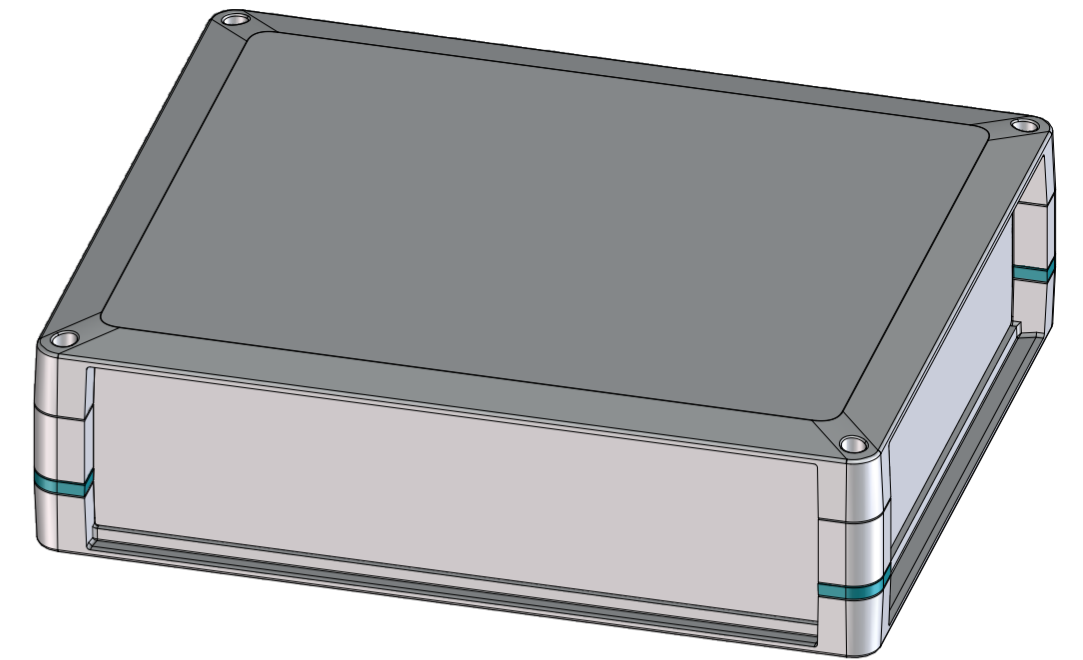


Transfer or duplication of this document as well as the utilisation or communication of its content are not permitted unless express consent is granted. Violations give rise to claims for damages. All rights reserved in case of patent, utility model or design patent registrations. Tolerance specifications do not include clearances inherent in the design.

Weitergabe sowie Vervielfältigung dieses Dokuments, Verwertung und Mitteilung seines Inhalts sind verboten, soweit nicht ausdrücklich gestattet. Zuwiderhandlungen verpflichten zu Schadensersatz. Alle Rechte für den Fall der Patent-, Gebrauchsmuster- oder Designeintragung vorbehalten. Bauartbedingtes Spiel ist in den Toleranzangaben nicht berücksichtigt.



height
width
depth



General Information:

- Simplified representation, exemplary shown in gray and for Corner Connector Dome (4.1) turquoise
- Tolerances apply in a normal climate according to DIN EN ISO 291-23/50-2, PA plastic parts with about 2% (% by weight) moisture content.
- Web: www.phoenixcontact.com webcode: #0853

Additional Information:

- A. PCB t=0,8-3mm
- B. PCB area free option for customer
max. PCB surface = 212mmx170mm
- ¹⁾ for this application not needed and represented

KIT (not mounted)			
Pos.	QTY	Description	Item number
1	2	HALF HOUSING 237-195	2203356
2	2	SIDE WALL 237 HIGH	2203388
3	2	SIDE WALL 195 HIGH	2203381
4	1	CORNER CONNECTOR DOME KIT	2203404
4.1	4	CORNER CONNECTOR DOME	
4.2	4	SCREW PT 2,5X8 TORX	
4.3	4	SCREW PT 3,5X20 TORX ¹⁾	
5	1	HEIGHT ADAPTER CORNER KIT	2203399
5.1	4	HEIGHT ADAPTER CORNER	
5.2	4	SCREW PT 3,5X40 TORX	

	document-no. / ri	article-no.	scale	- Simplified representation Document excluded from change process - Linear dimensions (mm)
	01025307 / 03	2203457	1:2	
	date	document-type		
	21.06.2023	TECDOC 2D_Productdrawing		
page 1	of 1	description		UCS 237-195-H-CCD 7035