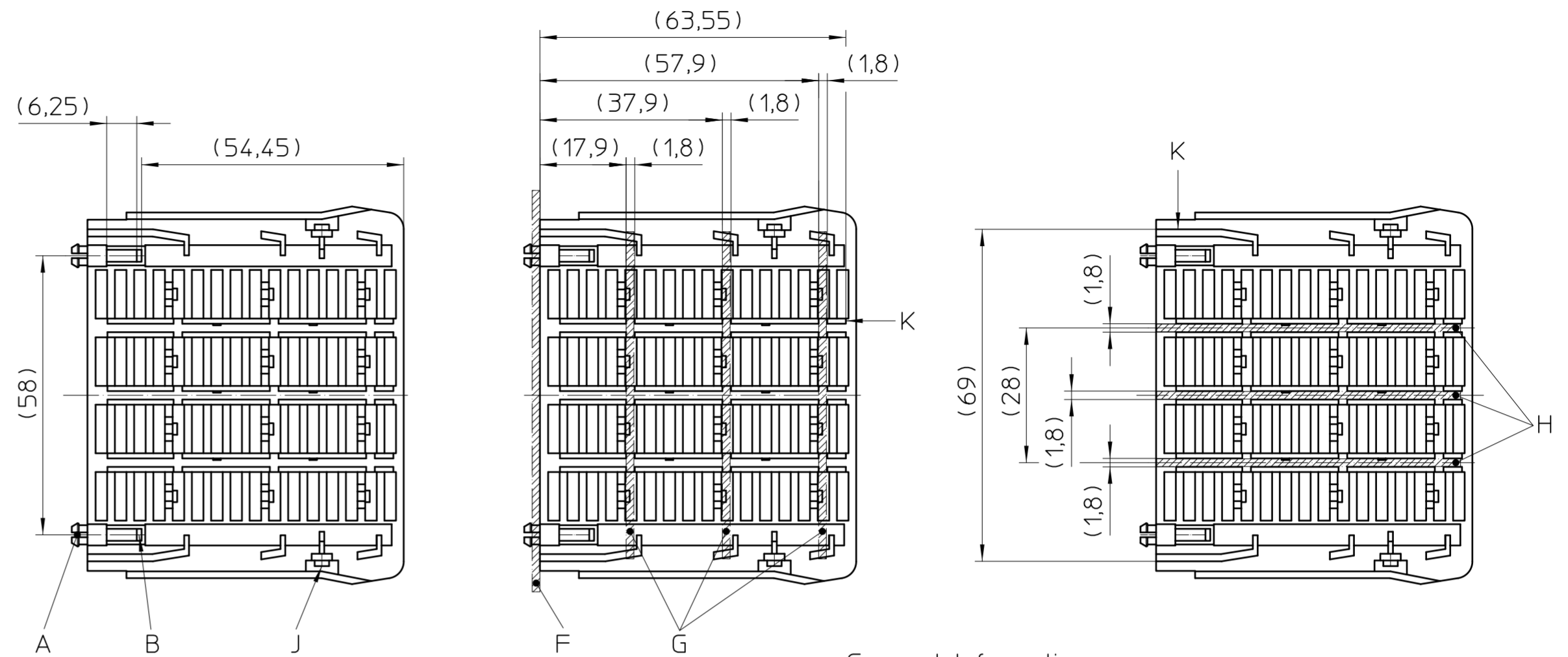
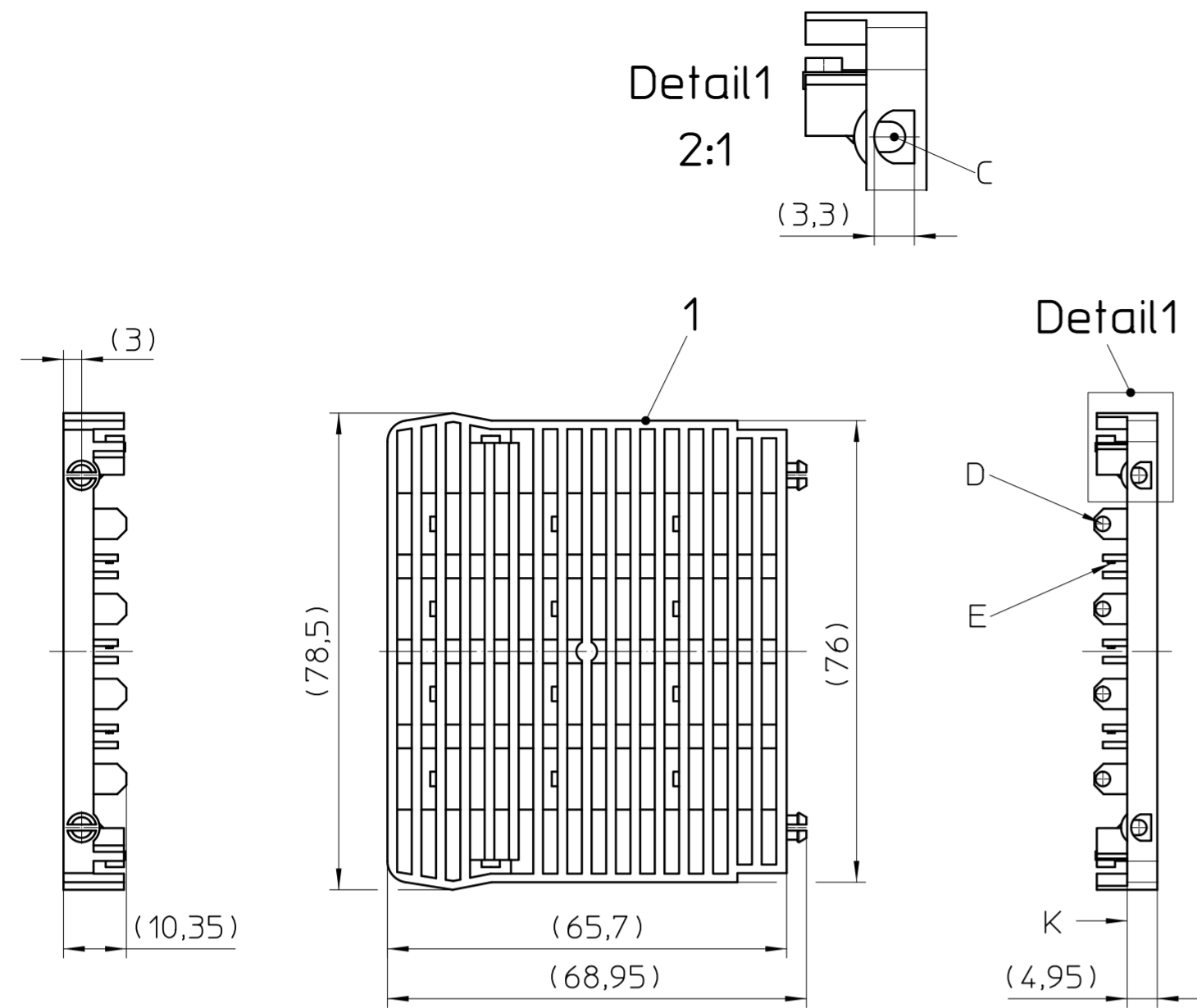


Transfer or duplication of this document as well as the utilisation or communication of its content are not permitted unless express consent is granted. Violations give rise to claims for damages. All rights reserved in case of patent, utility model or design patent registrations.

Weitergabe sowie Vervielfältigung dieses Dokuments, Verwertung und Mitteilung seines Inhalts sind verboten, soweit nicht ausdrücklich gestattet. Zuwiderhandlungen verpflichten zu Schadensersatz. Alle Rechte für den Fall der Patent-, Gebrauchsmuster- oder Designeintragung vorbehalten.



General Information

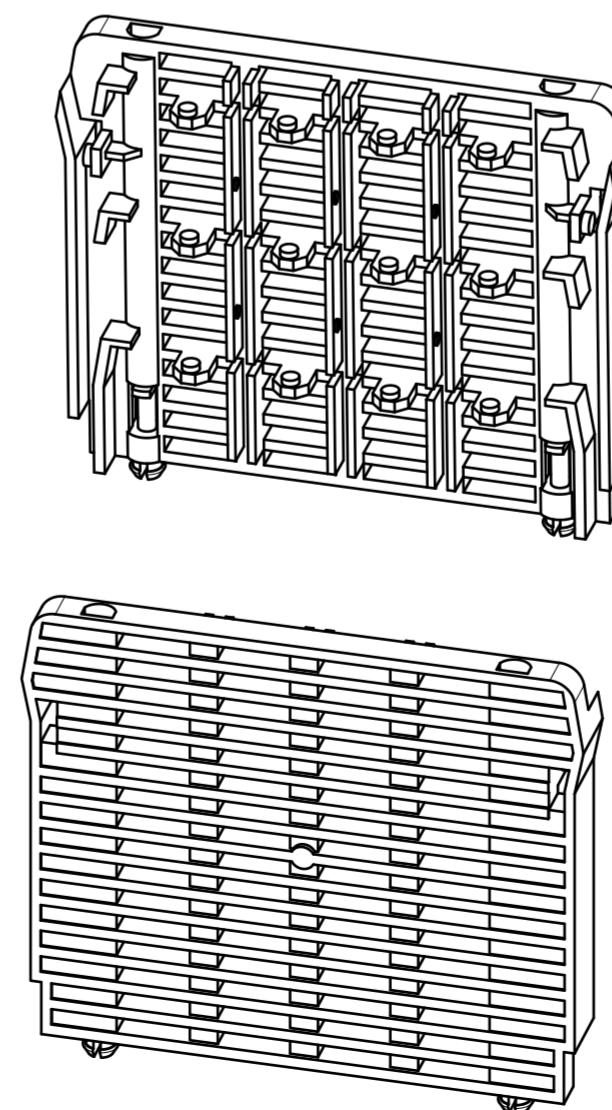
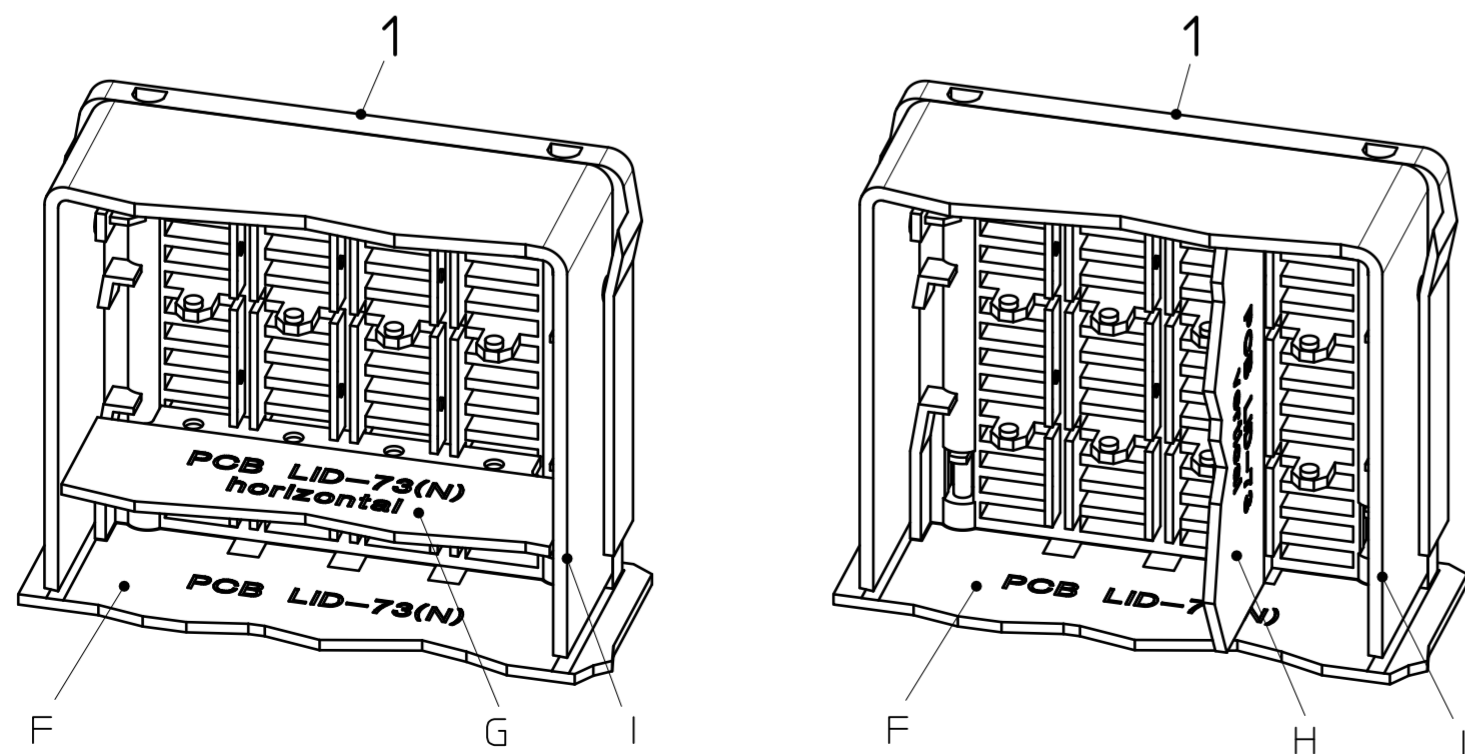
- Simplified representation
- Document excluded from change process
- Linear dimensions [mm]
- Tolerances, apply in a normal climate according to DIN EN ISO 291-23/50-2, PA plastic parts with about 2% (% by weight) moisture content.
- Web: www.phoenixcontact.com webcode: #0313 / #0314

Additional Information:

- A. Fixing point for PCB LID-73(N)
Recommended PCB hole: $\varnothing 4 \pm 0,05$
- B. Locking element for A
- C. Slot to actuate the locking element
Recommended tool: pin $\varnothing 3$
- D. Fixing point for PCB LID 73(N) horizontal
- E. Fixing point for PCB LID 73 vertical
- F. PCB LID-73(N) ($t=1,6 \pm 0,2$)
- G. PCB LID-73(N) horizontal ($t=1,6 \pm 0,2$)
- H. PCB LID-73 vertical ($t=1,6 \pm 0,2$)
- I. UM-...A/U 73 (U-shaped profile cover)
- J. Fixing point for UM-...A/U 73
- K. Bearing surface for UM-... A/U 73

Recommended PCB-outline see further documentation

Assembly examples: Side element with Cover and PCBs



Pos.	QTY	description	material
1	1	SIDE ELEMENT	PA
DIN A2		document-No. / RI 01091583 / 02	date 22.05.2025
PHENIX CONTACT		ident.-No. 2202033	document-type TECDOC 2D_Productdrawing
page 1	of 1	description UM-BASIC/PRO LID-73 KMGY	