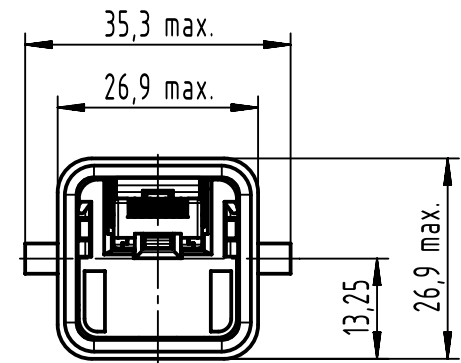
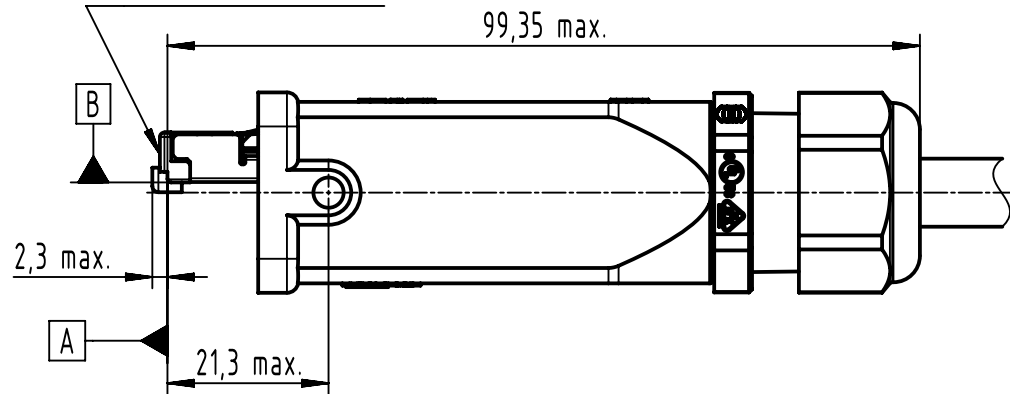


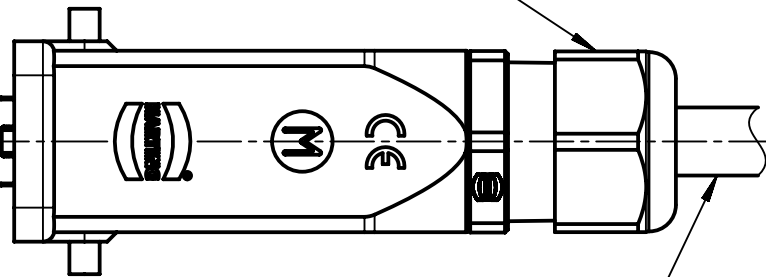
Mating face according to IEC 60603-7



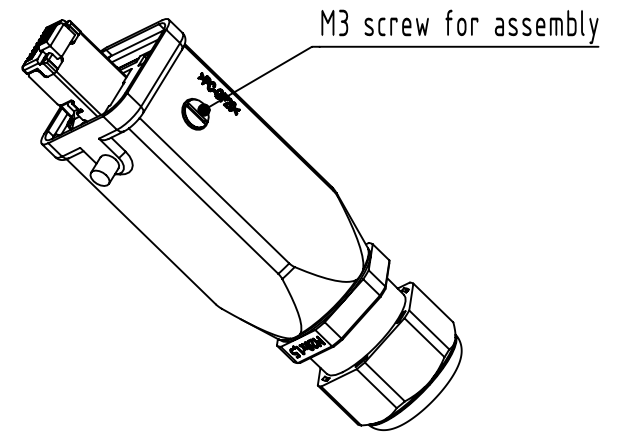
M20x1,5 plastic sealing gland

Contact 8

Contact 1



Cable  $\varnothing 6$  to  $\varnothing 9$ mm  
Stranded wires AWG 27-22



[DS1] = A B

Coating	A=	mm <sup>2</sup>	V=	mm <sup>3</sup>	m=	g	Mat.
	All Dimensions in mm Original Size DIN A4		Scale 1:1	Free size tol.			Ref.
	All rights reserved Department EL PD		Created by PREOTU	Inspected by PREOTU	Standardisation ROEBEN	Date 2024-02-21	State Final Release
HARTING D-32339 Espelkamp			Title Han3A RJ45 10G Cat6 plug 8p IDC plastic			Doc-Key / ECM-Nr. 100229069/UGD/001/A 500000264037	
			Type TB	Number 09451251560			Rev. A
						Page 1/1	