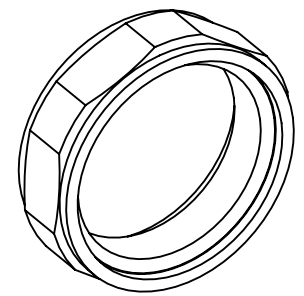
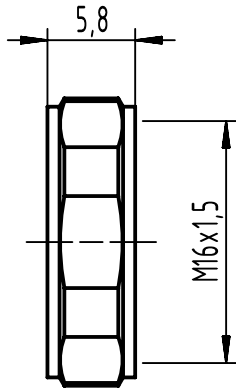
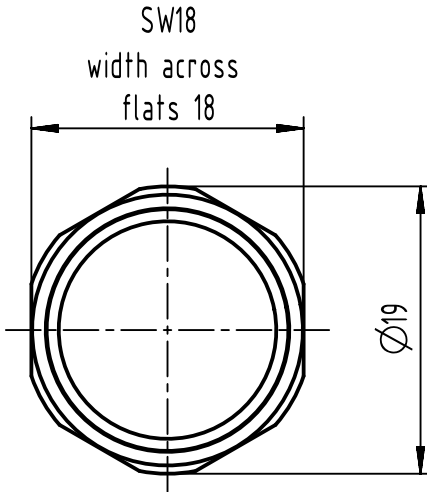



1 2 3 4 5 6

A  
B  
C  
D



	All rights reserved Department EL PD	Created by 105120	Inspected by HASSEBROCKS	Standardisation	Date 2023-05-09	State Final Release
		Title lock nut M16x1,5		Doc-Key / ECM-Nr. 100183318/UGD/003/B 500000243374		
HARTING D-32339 Espelkamp		Type TB	Number 21010000018		Rev. B	Page 1/1