

Connector black, for event technology - for Event technology



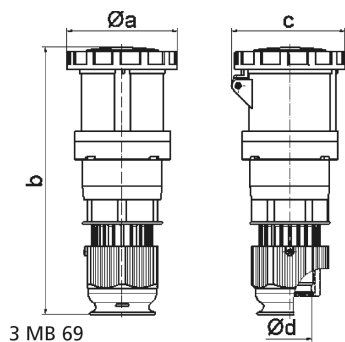
Product description	
BALS-Prd.-Nr	310466
EAN	4024941142663
product category (PG)	Connector TE
current (A)	125A
number of poles (P99)	5p
number of poles (P)	3p+N+PE
position of earth contact (H)	6 h
voltage (V)	200/346 up to 240/415V

Product description	
frequency (HZ)	50 and 60Hz
protection degree (SA)	IP67
colour code 1 (KF1)	red RAL 3000
Colour of appliance	Collar black RAL 9005, Pusher black RAL 9005, Hinged lid black RAL 9005, Bayonet ring black RAL 9005, Housing cover black RAL 9005, Cable gland black RAL 9005
connection design (AT)	screw terminal as box terminal with Kontex-contact
maximum conductor size (LQ)	50.0 qmm
cable entry (KE)	Cable gland
Height	295mm
Width	125mm
Depth	128mm
material of enclosure (GM)	Polyamide
contact	The contact carrier is made of high temperature resistant material, the contacts are brass nickel plated

Additional technical properties	
	For cable diameter from 26 up to max. 50 mm, Screwless housing connection, Multi-Grip cable gland with gasket, integrated cable clamp and additional water evacuation openings

Logistics data	
Weight/pcs	1.3 kg / Piece
Packaging	Bag

Logistics data	
Content amount	1 ST
EAN	4024941142663
Length	128 mm
Width	125 mm
Height	295 mm
Weight	1.301 kg
Volume	4,720 ccm
Packaging	Carton
Content amount	5 ST
EAN	4024941840637
Length	345 mm
Width	345 mm
Height	217 mm
Weight	6.835 kg
Volume	24,276 ccm



Ampere	125	125	125					
Polzahl	3	4	5					
a ø	125,0	125,0	125,0					
b	300,0	300,0	300,0					
c	128,0	128,0	128,0					
d ø	50,0	50,0	50,0					
Leiter mm ² min	16	16	16					
Leiter mm ² max	50	50	50					