

Panel mounting socket outlet, angled - flange 85x85, fixing centers 70x70

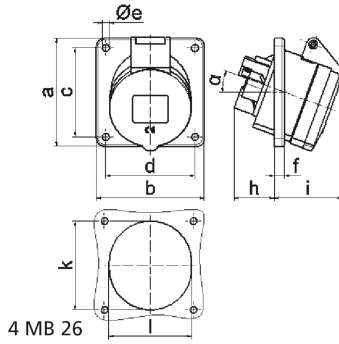


| Product description | |
|---------------------------|--------------------------------------|
| BALS-Prd.-Nr | 12520 |
| EAN | 4024941125208 |
| Product category | Panel mounting socket outlet, angled |
| Current | 16A |
| Number of poles | 4p |
| Poles | 3P+PE |
| Position of earth contact | 10 h |
| Voltage | > 50V |

| Product description | |
|--------------------------------|--|
| Frequency | 100 up to 300Hz |
| Protection degree | IP44 |
| Colour code | green RAL 6002 |
| Colour of appliance | Hinged lid green RAL 6002, Enclosure grey RAL 7035 |
| Connection design | with screw terminal |
| Maximum conductor size | 4,0 qmm |
| Cable entry | other |
| Height | 85mm |
| Width | 85mm |
| Depth | 87mm |
| Flange size vertical | 85mm |
| Flange size horizontal | 85mm |
| Drill hole distance vertical | 70mm |
| Drill hole distance horizontal | 70mm |
| Material of enclosure | Polyamide |
| Contact | The contact carrier is made of polyamide, The contacts are brass |

| Additional technical properties | |
|---------------------------------|------------------------|
| | The inclination is 20° |

| Logistics data | |
|----------------|------------------|
| Weight/pcs | 0.155 kg / Piece |
| Packaging | Bag |
| Content amount | 1 ST |
| EAN | 4024941125208 |
| Length | 87 mm |
| Width | 85 mm |
| Height | 85 mm |
| Weight | 0.156 kg |
| Volume | 628.575 ccm |
| Packaging | Carton |
| Content amount | 10 ST |
| EAN | 4024941820691 |
| Length | 245 mm |
| Width | 177 mm |
| Height | 185 mm |
| Weight | 1.683 kg |
| Volume | 7,140 ccm |



| Ampere | 16 | 16 | 16 | 32 | 32 | 32 |
|----------------------------|------|------|------|------|------|------|
| Polzahl | 3 | 4 | 5 | 3 | 4 | 5 |
| a | 85,0 | 85,0 | 85,0 | 85,0 | 85,0 | 85,0 |
| b | 85,0 | 85,0 | 85,0 | 85,0 | 85,0 | 85,0 |
| c | 70,0 | 70,0 | 70,0 | 70,0 | 70,0 | 70,0 |
| d | 70,0 | 70,0 | 70,0 | 70,0 | 70,0 | 70,0 |
| e Ø | 5,5 | 5,5 | 5,5 | 5,5 | 5,5 | 5,5 |
| f | 8,0 | 8,0 | 8,0 | 8,0 | 8,0 | 8,0 |
| h | 30,0 | 30,0 | 30,0 | 50,0 | 50,0 | 34,0 |
| i | 48,0 | 50,0 | 54,0 | 63,0 | 63,0 | 60,0 |
| k | 57,0 | 65,0 | 70,0 | 78,0 | 78,0 | 78,0 |
| l | 57,0 | 65,0 | 70,0 | 78,0 | 78,0 | 78,0 |
| α | 20° | 20° | 20° | 20° | 20° | 20° |
| Leiter mm ² min | 1,5 | 1,5 | 1,5 | 2,5 | 2,5 | 2,5 |
| Leiter mm ² max | 4 | 4 | 4 | 10 | 10 | 10 |