

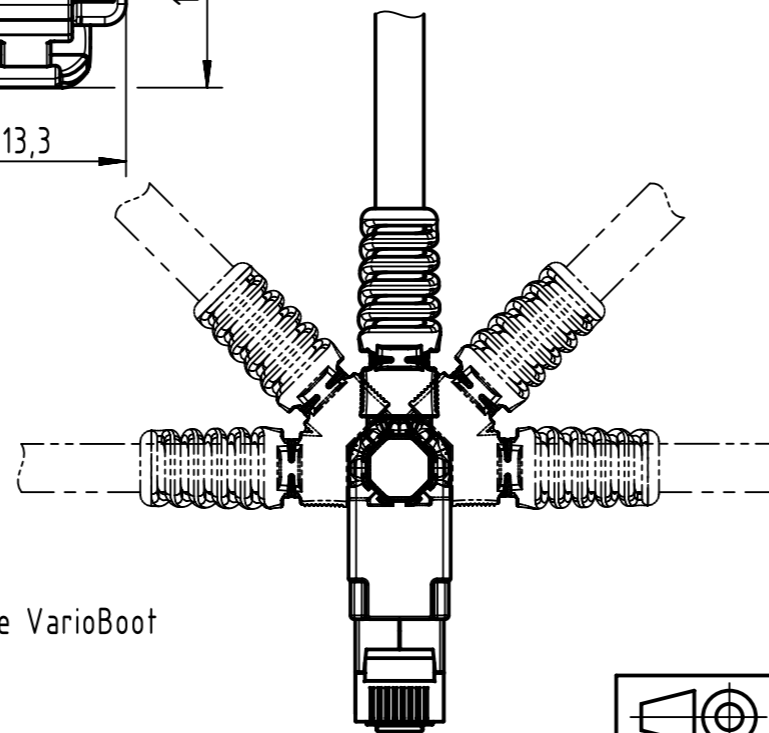
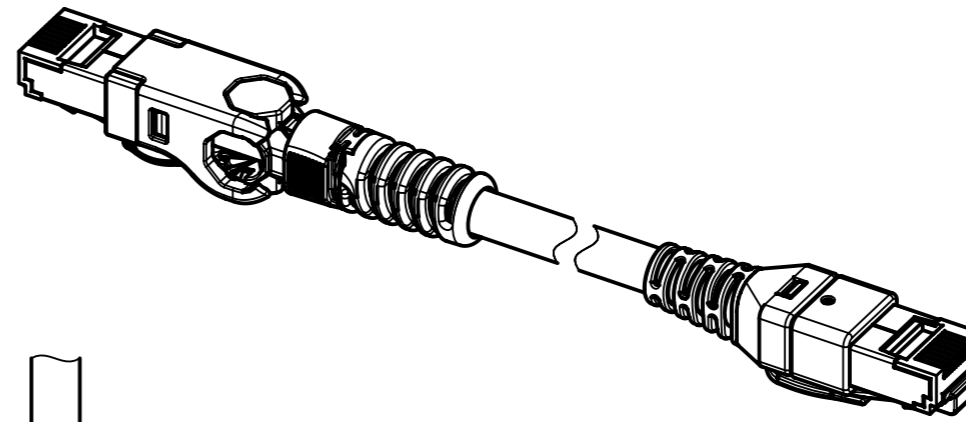
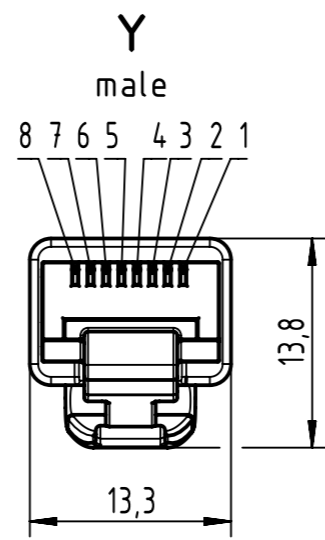
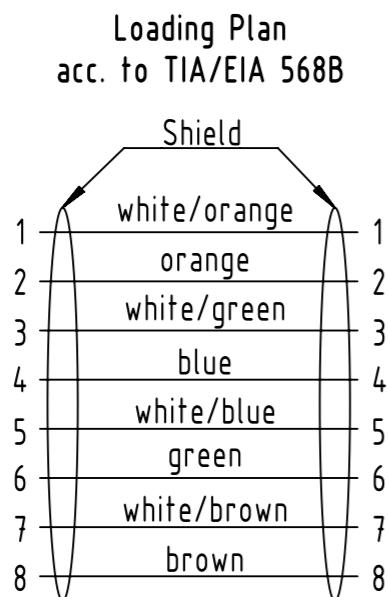
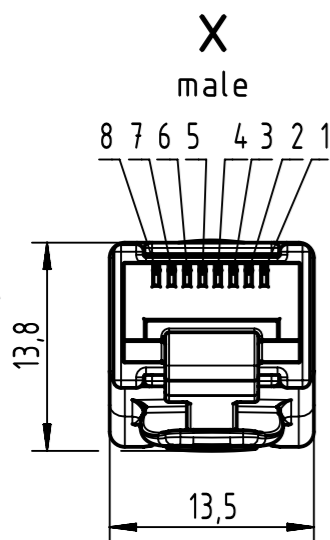
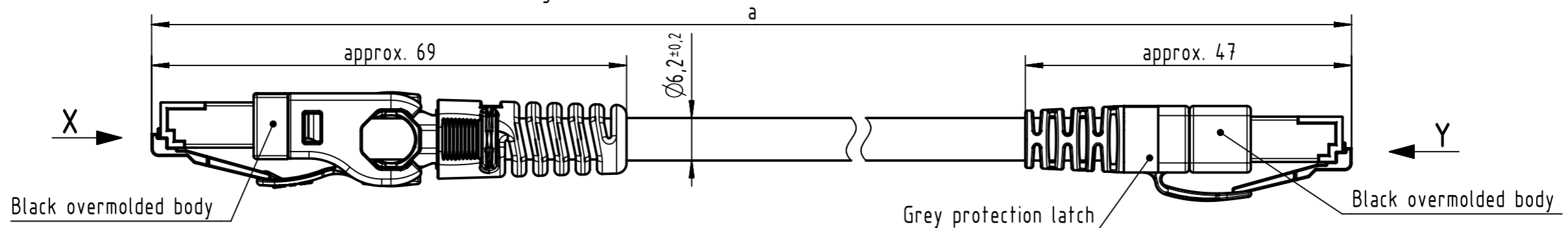
Connector Location A

Connector Location B

IP20 RJ45 VarioBoot Cat. 6A,  
preferred direction LEFT and RIGHT

Black protection latch  
with HARTING logo

IP20 RJ45 DualBoot Cat. 6A, 8-pole



Temperature range:  
- Fixed installation: -20°C ... +60°C  
- Dynamic installation: 0°C ... +50°C

NOTE:  
- Direction of the cable outlet can be changed up to 20x for the VarioBoot  
- Mating face RJ45 acc. to IEC 60603-7 for both connectors

For lengths < 1.0m:  
- relative positioning of the connectors to each other will be as presented in the drawing, however with an admissible angular deviation around cable axis of ± 30°  
For lengths ≥ 1.0m:  
- relative positioning of the connectors to each other not obligatory

length in "1m" step	45	XXX=450
	44	XXX=440
	12	XXX=120
	11	XXX=110
length in "0.1m" step	10	XXX=100
	9.9	XXX=099
	9.8	XXX=098
	0.5	XXX=005
	0.4	XXX=004
	0.3	XXX=003
	0.2	XXX=002
Step	a [m]	XXX

6.0 to 45	±1%
0.6 to 5.9	+0.04
0.2 to 0.5	+0.02
a [m]	Tolerance

Cat. 7 FRNC Ethernet Cable, AWG 26/7, S/FTP, grey	09488587585XXX
Type of cable	Part no.

All Dimensions in mm		Tech. Character.		Free size tol.		According to production drawing	
All rights reserved Department HCS - RO	Created by COSTEA Costea	Inspected by 402676 Gross	Standardisation MUNTEANV Muntean	Date 2021-10-28	State Final Release		Doc-Key / ECM-Nr. 100833976/UGD/000/D 500000204136
	Title VB RJ45 LaR - DualBoot Cat.6A FRNC grey			Number 09488587585XXX		Rev. D	
HARTING Customised Solutions D-32339 Espelkamp		Type TB					