

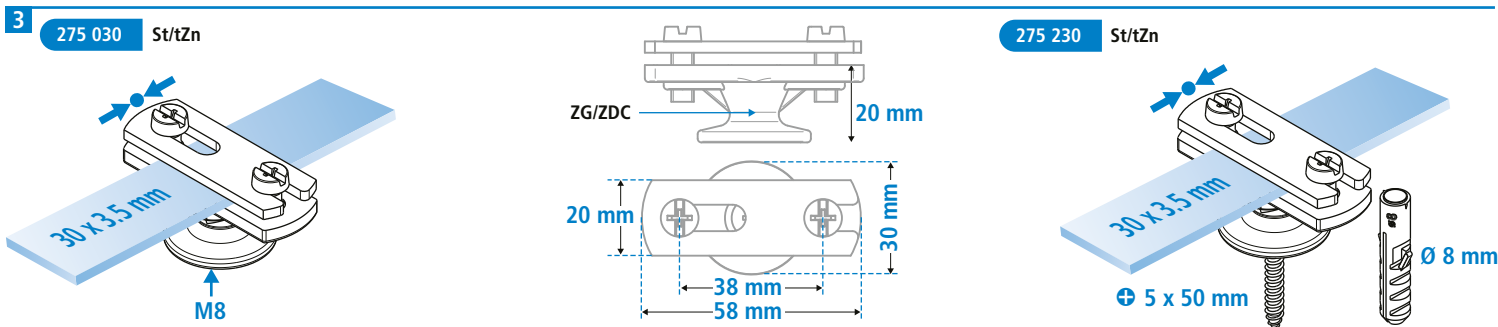
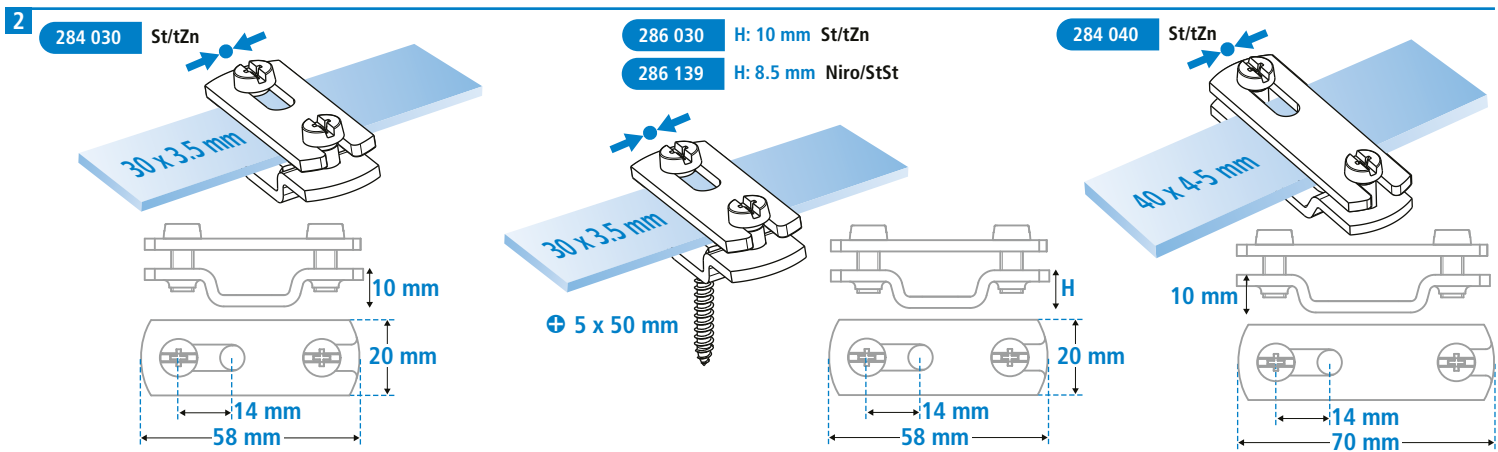
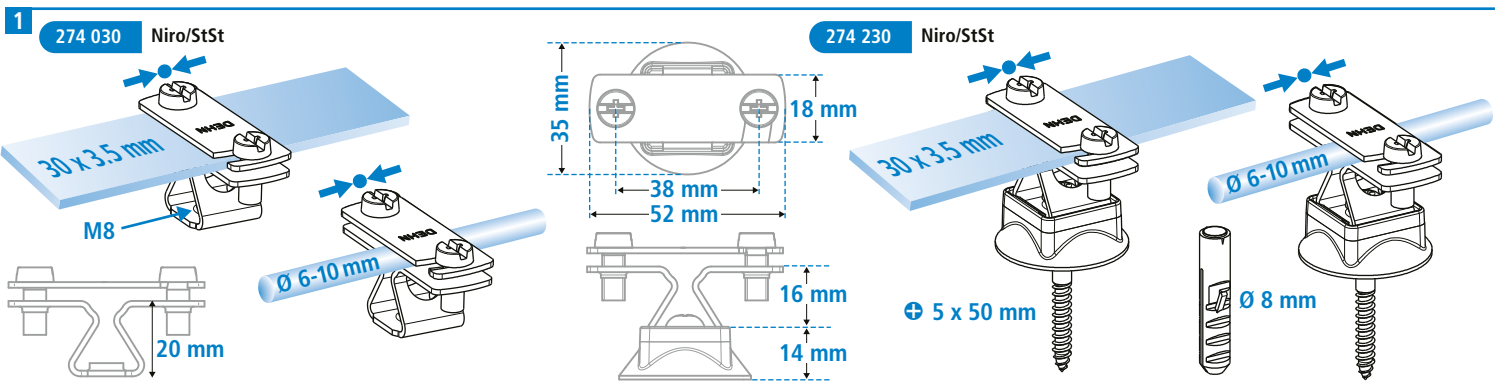
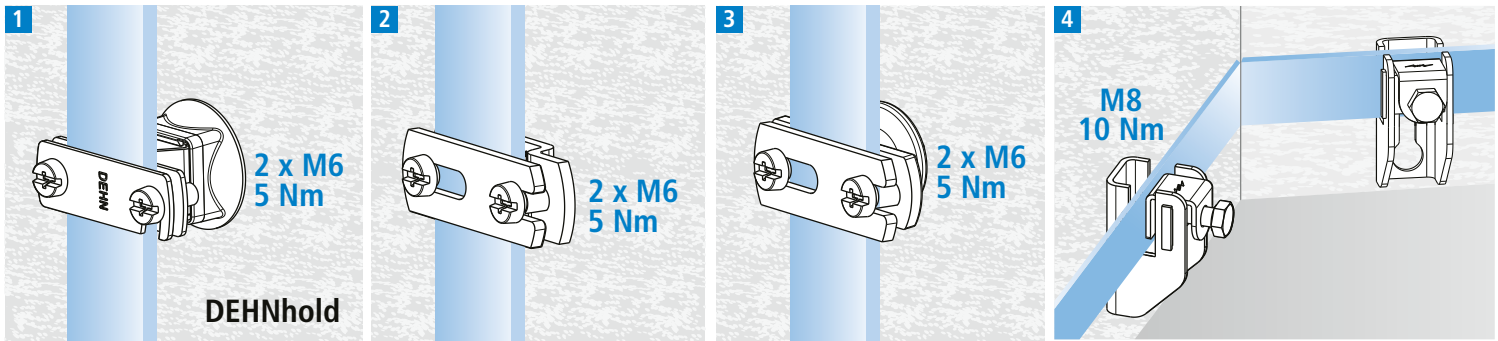
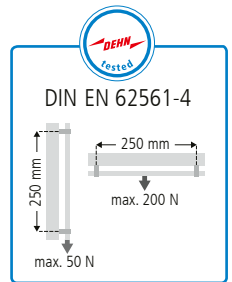
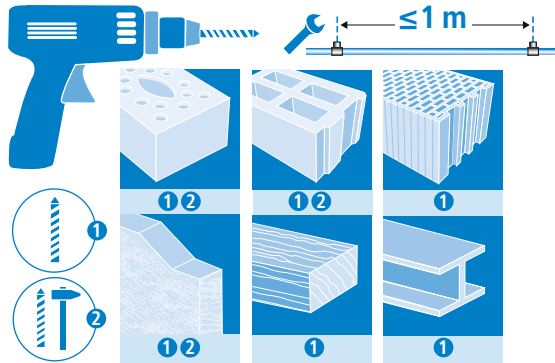


IEC 60417-6182:
Installation,
electrotechnical expertise



IEC 60417-6183:
Installation,
mechanical expertise

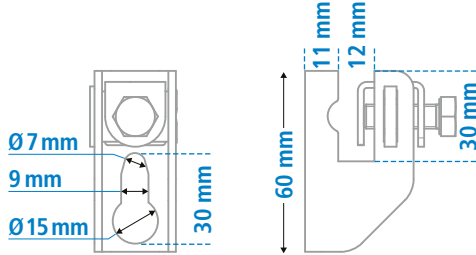
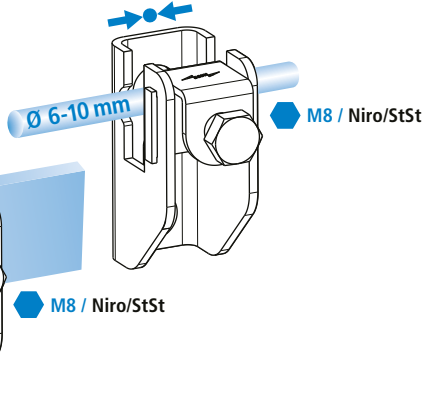
	St/tZn	Al	Cu	Niro/StSt	Ti	Sn
St/tZn	✓	✓	✗	✓	✓	✓
Al	✓	✓	✗	✓	✓	✓
Cu	✗	✗	✓	✓	✗	✓
Niro/StSt	✓	✓	✓	✓	✓	✓
Ti	✓	✓	✗	✓	✓	✓
Sn	✓	✓	✓	✓	✓	✓





4

- 277 230 St/tZn
- 277 237 Cu
- 277 239 Ni-ro/StSt



- 277 240 St/tZn
- 277 249 Ni-ro/StSt

