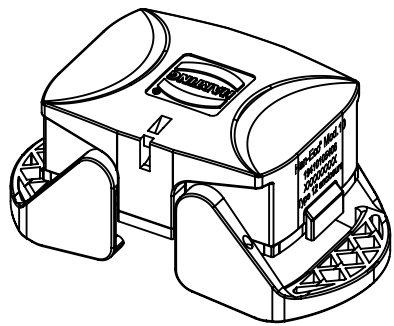
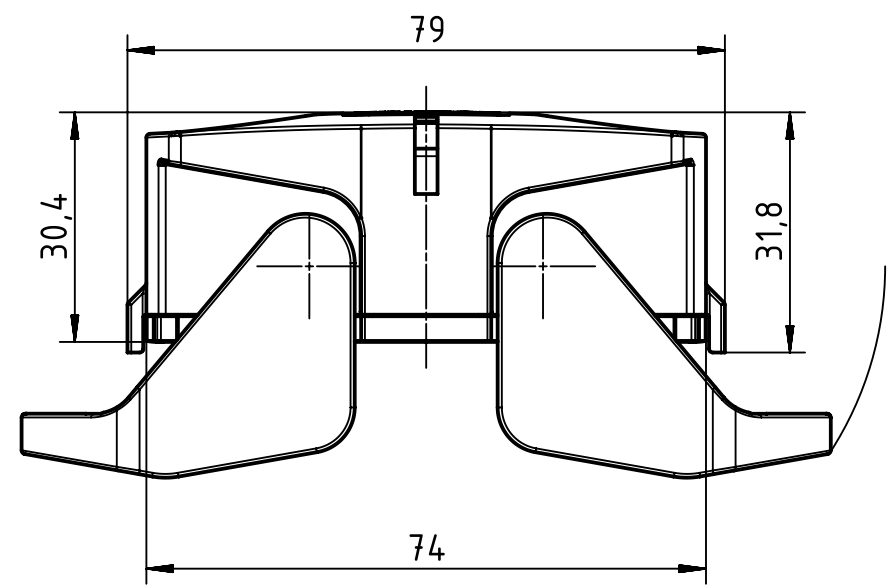
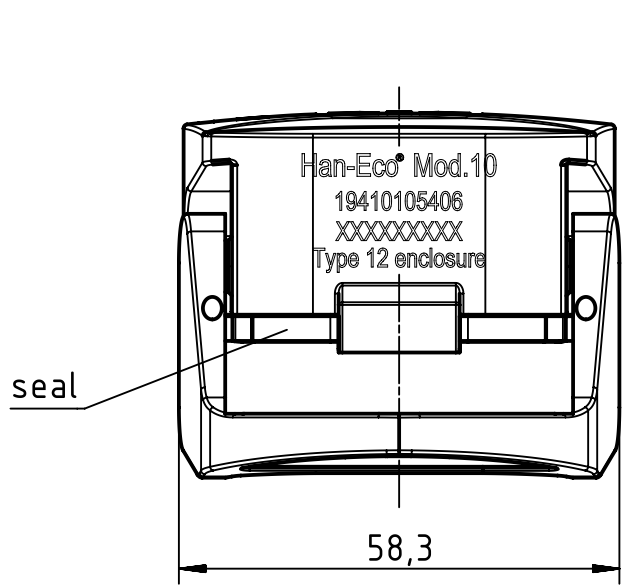


1 2 3 4 5 6

A  
B  
C  
D



	All Dimensions in mm Original Size DIN A4		Scale 1:1	Free size tol.		Ref. Sub. TB 19 41 010 5406 v. 29.07.11	
		All rights reserved Department EL PD		Created by SPRENB	Inspected by BERGHORN	Standardisation SCHMIDTM	Date 2018-09-07
HARTING Electric GmbH & Co. KG D-32339 Espelkamp		Title Han-Eco Mod.10-C-f. HTE/HSE				Doc-Key / ECM-Nr. 100216845/UGD/005/A 500000138085	
		Type TB	Number 19 41 010 5406			Rev. A	Page 1/1