

Plug - with cable gland, Multi-Grip



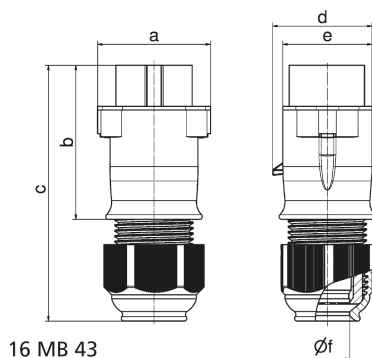
Product description	
BALS-Prd.-Nr	4438
EAN	4024941044387
Product category	Plug extra-low voltage
Current	32A
Number of poles	2p
Arrangement of phases	2P
Position of earth contact	10 h
Voltage	20 up to 25 and 40 up to 50V
Frequency	DC

Product description	
Protection degree	IP44
Colour code	gray RAL 7035
Colour of appliance	Housing cover grey RAL 7035, Cable gland grey RAL 7035, Collar grey RAL 7035
Connection design	with screw terminal
Maximum conductor size	10,0 qmm
Cable entry	Cable gland
Height	141mm
Width	62mm
Depth	57mm
Material of enclosure	Polyamide
Contacts	The contact carrier is made of polyamide, the contacts are brass nickel plated

Additional technical properties	
	Multi-Grip cable gland with gasket and integrated strain relief, For cable diameter from 11 up to max. 23,5 mm

Logistics data	
Weight/pcs	0.128 kg / Piece
Packaging	Bag
Content amount	1 ST
EAN	4024941044387

Logistics data	
Length	57 mm
Width	62 mm
Height	141 mm
Weight	0.129 kg
Volume	498.294 ccm
Packaging	Carton
Content amount	10 ST
EAN	4024941819480
Length	248 mm
Width	158 mm
Height	123 mm
Weight	1.377 kg
Volume	3,960 ccm



Ampere Polzahl	16 2	16 3	32 2	32 3			
a	62,0	62,0	62,0	62,0			
b	85,0	85,0	85,0	85,0			
c	140,0	140,0	140,0	140,0			
d	55,0	55,0	55,0	55,0			
e	50,0	50,0	50,0	50,0			
f Ø	24,5	24,5	24,5	24,5			
Leiter mm ² min	4	4	4	4			
Leiter mm ² max	10	10	10	10			

