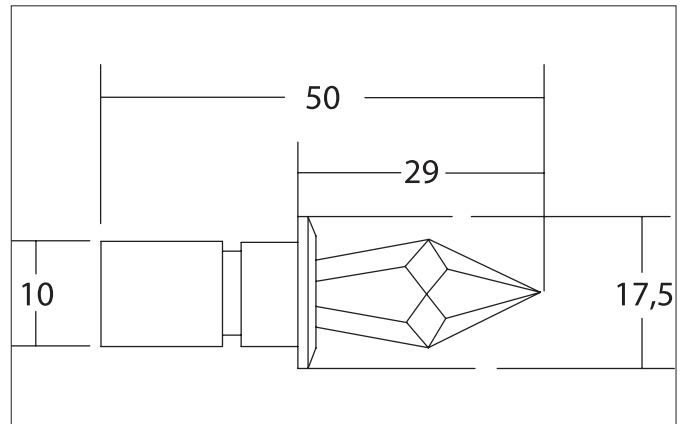
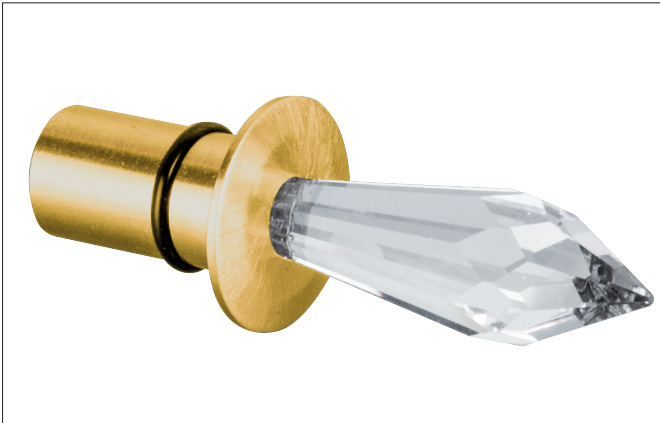


**FIBATEC Crystal exit element, for fiber S2 and S2M**

Artikel-Nr. 9733.05

Licht.  
Für Generationen.**Tender**

Crystal exit element, for fiber S2 and S2M, gold, round  
Material: brass / crystal glass with facet cut, outer diameter:  $\varnothing$  17.5 mm, height without crystal: 1.5 mm, height with crystal: 29 mm, installation depth without fiber: 20 mm, installation depth with fiber: 100 mm, drill diameter:  $\varnothing$  10 mm, fastening type: glue (using Brumberg adhesive 48290000).

**Article data**

Artikel-Nr.	9733.05
GTIN	4250047719502
Series name	FIBATEC
Kurzbeschreibung	Crystal exit element, for fiber S2 and S2M
Material	Brass / Crystal glass
Colour	Gold
Shape	round
weight	0.014 kg

**Packing data**

Gross weight	0.029 kg
Length of packaging	70 mm
Packaging width	47 mm
Packaging height	81 mm