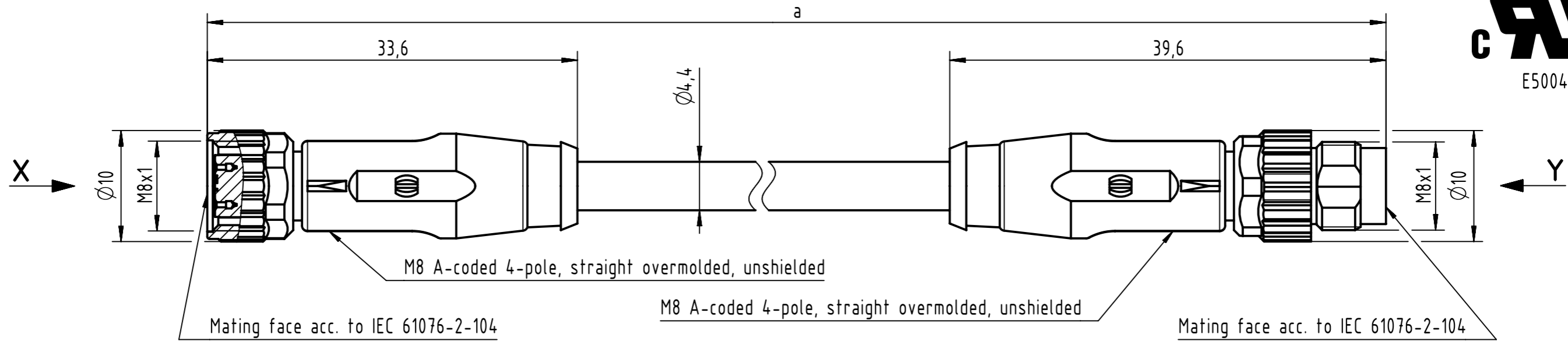


Connector Location A

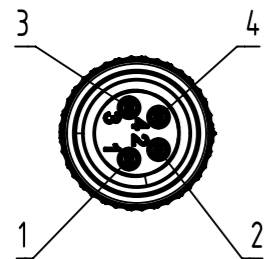
Connector Location B



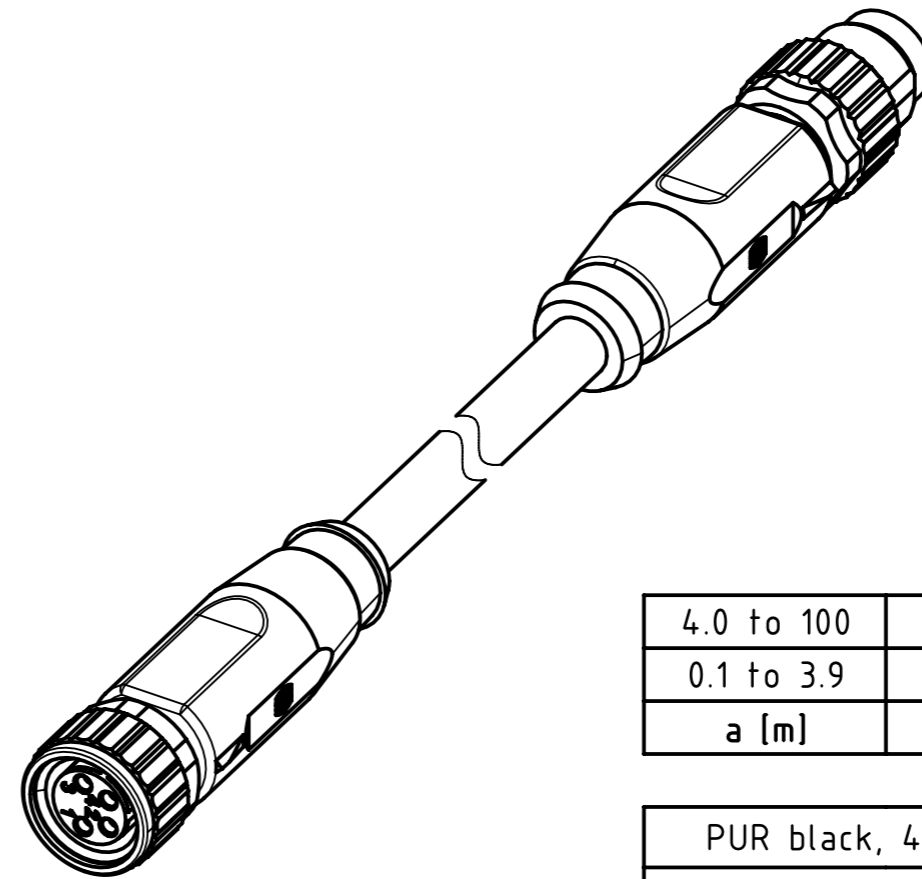
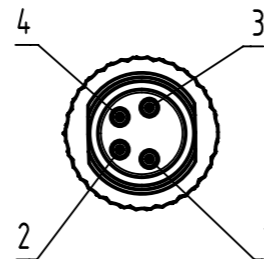
X female

Loading Plan

Y male



- 1 brown 1
- 2 white 2
- 3 blue 3
- 4 black 4



- Protection level: IP67
- Temperature range: -25°C ... +80°C

length in "1m" step	100	XXX=000
	99	XXX=990
	.	.
	12	XXX=120
	11	XXX=110
length in "0.1m" step	10	XXX=100
	9.9	XXX=099
	9.8	XXX=098
	.	.
	0.4	XXX=004
	0.3	XXX=003
	0.2	XXX=002
	0.1	XXX=001
Step	a [m]	XXX

4.0 to 100	±1%
0.1 to 3.9	+0.04
a [m]	Tolerance

PUR black, 4x0.25mm <sup>2</sup>	21348081489XXX
Type of cable	Part no.

	All rights reserved		Tech. Character.		Free size tol.		According to production drawing	
	Department HCS - RO		Created by 407576 Stoica	Inspected by 402676 Gross	Standardisation MUNTEANV Muntean	Date 2023-03-15	State Final Release	
HARTING Customised Solutions D-32339 Espelkamp		Title M8 Cable Assembly 4-poles st/st f/m				Doc-Key / ECM-Nr. 100809540/UGD/009/B 500000238086		
		Type TB	Number 21348081489XXX			Rev. B	Page 1/1	