

## Han PE-module male crimp 25qmm

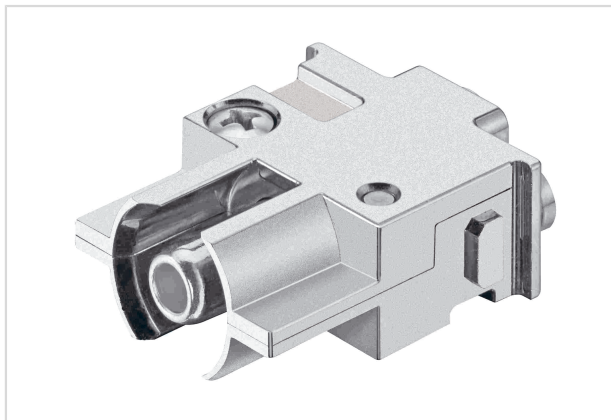


Image is for illustration purposes only. Please refer to product description.

Part number	09 14 001 3073
Specification	Han PE-module male crimp 25qmm
HARTING eCatalogue	<a href="https://b2b.harting.com/09140013073">https://b2b.harting.com/09140013073</a>

### Identification

Category	Modules
Series	Han-Modular®
Type of module	Han® PE module
Size of the module	Single module

### Version

Termination method	Crimp termination
Gender	Male
Number of contacts	1
Pack contents	2 PE module halves 1 contact pressure plate 1 crimp contact

### Technical characteristics

Conductor cross-section	25 mm <sup>2</sup>
Contact resistance	≤0.3 mΩ
Stripping length	19 mm
Tightening torque	2 Nm
Limiting temperature	-40 ... +125 °C
Mating cycles	≥500

### Material properties

Material (insert)	Zinc die-cast, nickel-plated
-------------------	------------------------------



Pushing Performance  
Since 1945

## Material properties

Material (contacts)	Copper alloy
Surface (contacts)	Silver plated
RoHS	compliant with exemption
RoHS exemptions	6(c): Copper alloy containing up to 4 % lead by weight
ELV status	compliant with exemption
China RoHS	50
REACH Annex XVII substances	Not contained
REACH ANNEX XIV substances	Not contained
REACH SVHC substances	Yes
REACH SVHC substances	Lead
ECHA SCIP number	5dbb3851-b94e-4e88-97a1-571845975242
California Proposition 65 substances	Yes
California Proposition 65 substances	Lead Nickel

## Specifications and approvals

Specifications	IEC 61984
UL / CSA	UL 1977 ECBT2.E235076 CSA-C22.2 No. 182.3 ECBT8.E235076

## Commercial data

Packaging size	1
Net weight	76.5 g
Country of origin	Germany
European customs tariff number	85366990
GTIN	5713140184909
eCl@ss	27440217 Module for industrial connectors (power/signals)