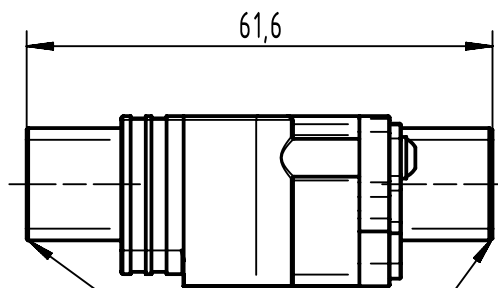
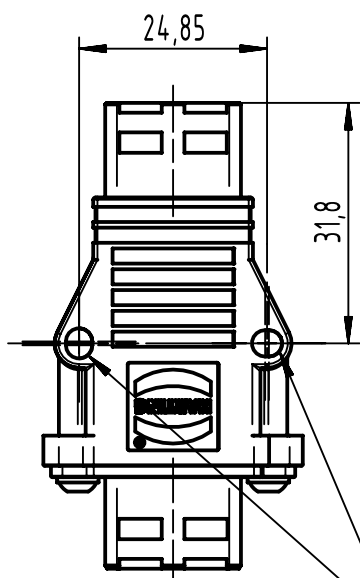
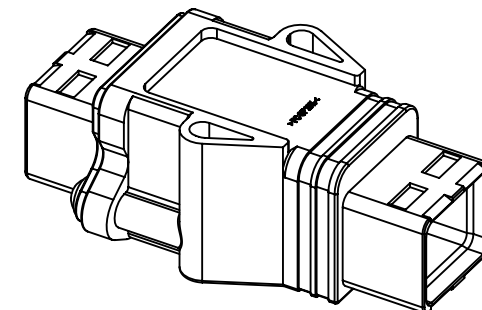
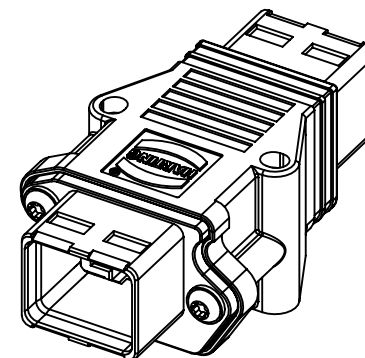


RJ45 mating face according to IEC 60603-7



receptacles mating side according to IEC 61076-3-106 - variant 04



1 hole for M3 screws; torque 0.5 to 0.7Nm

further information see product data sheet

	All rights reserved Department EL PD	All Dimensions in mm Original Size DIN A4		Scale 1:1	Free size tol.	Ref. Sub.
		Created by ZWAHR	Inspected by ELLERMANN	Standardisation	Date 2023-07-13	State Final Release
HARTING D-32339 Espelkamp		Title HPP V4 RJ45 coupler Cat.6A			Doc-Key / ECM-Nr. 100521780/UGD/001/C 500000248131	
		Type TB	Number 09453451560		Rev. C	Page 1/1